



Key-operated button, 1N/O+1N/C, 2 positions, front mount



Powering Business Worldwide™

Part no. M22-WRS/K11
Article no. 216517

Catalog No. M22-WRS-K11Q

Delivery programme

Product range

Basic function
 Single unit/Complete unit
 Function
 Front ring
 Description

Function
 Contacts
 N/C = Normally closed
 N/O = Normally open
 Notes

Connection to SmartWire-DT
 Contact sequence


Key withdrawable in position

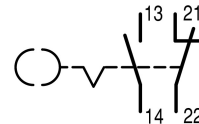
Information about equipment supplied
 Design

Notes 777777

RMQ-Titan (drilling dimensions 22.5 mm)
 Key-operated buttons
 Complete unit
 Stay-put
 Bezel: Silver
 Stay-put/spring-return function, can be changed with coding parts M22-XC-Y
 Key withdraw convertible with coding adapters M22-XC-...
 Lock mechanism MS1
 With 1 key
 2 positions, maintained

1 NC 
 1 N/O

 = safety function, by positive opening to IEC/EN 60947-5-1 no



0
 1
 With 1 key
 Key operated



Approvals

Product Standards
 UL File No.
 UL Category Control No.
 CSA File No.
 CSA Class No.
 North America Certification
 Degree of Protection

IEC/EN 60947-5; UL 508; CSA-C22.2 No. 14-05; CSA-C22.2 No. 94-91; CE marking
 E29184
 NKCR
 012528
 3211-03
 UL listed, CSA certified
 UL/CSA Type 3R, 4X, 12, 13

General

Standards
 Lifespan, mechanical
 Operating frequency
 Operating torque
 Protection type
 Climatic proofing
 Ambient temperature
 Open
 Mounting position
 Mechanical shock resistance

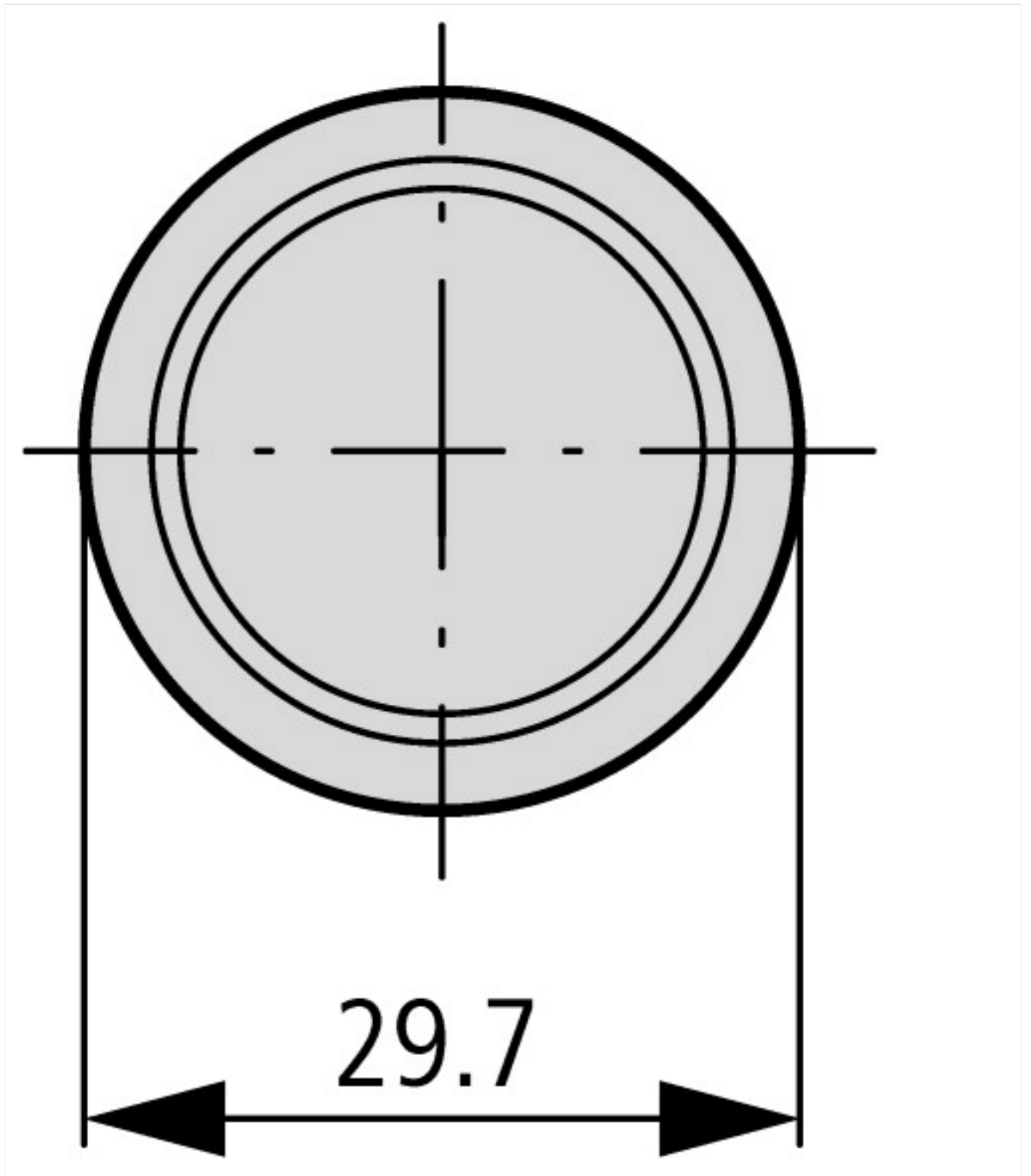
		IEC/EN 60947 VDE 0660
Operations	x 10 ⁶	> 0.1
Operations/h		 100
Operating torque	Nm	 0.5
Protection type		IEC/EN 60529: IP66
Climatic proofing		Damp heat, constant, to IEC 60068-2-78 Damp heat, cyclic, to IEC 60068-2-30
Ambient temperature	°C	
Open	°C	- 25 - + 70
Mounting position		As required
Mechanical shock resistance	g	30 Shock duration 11 ms Sinusoidal according to IEC 60068-2-27

Technical data ETIM 5.0

Low-voltage industrial components (EG000017) / Push button, complete (EC001028)
 Electric engineering, automation, process control engineering / Low-voltage switch technology / Command and alarm device / Push-button actuator, complete unit
 (ecl@ss8-27-37-12-28 [AKF046010])

Number of command positions		1
Colour button		Black
Construction type lens		Round
Hole diameter	mm	22
Width opening	mm	22
Height meter opening	mm	0
Degree of protection (IP)		IP66
Type of button		High
Suitable for illumination		No
Switching function latching		No
Spring-return		No
Supply voltage lamp	V	0
Number of contacts as normally open contact		1
Number of contacts as normally closed contact		1
Number of contacts as change-over contact		0
Type of electric connection		Screw connection
With front ring		Yes
Material front ring		Plastic
Colour front ring		Chrome

Dimensions



Additional product information (links)

IL04716002Z (AWA1160-1745) RMQ-Titan System

IL04716002Z (AWA1160-1745) RMQ-Titan System

ftp://ftp.moeller.net/DOCUMENTATION/AWA_INSTRUCTIONS/IL04716002Z2013_08.pdf