



**Emergency-stop key-release mushroom, 1N/O+1N/C,
front mount**



Powering Business Worldwide™

Part no. M22-PV/K11
Article no. 216516

Catalog No. M22-PV-K11Q

Delivery programme

Approval



Product range

Basic function
Single unit/Complete unit
Description

Mushroom colour (yellow base)
Function
Contacts
N/O = Normally open
N/C = Normally closed
Notes

Contact sequence

Front ring
Connection to SmartWire-DT

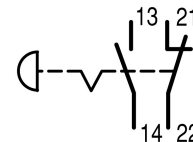
RMQ-Titan (drilling dimensions 22.5 mm)
Emergency stop buttons
Complete unit
Tamper-proof according to ISO 13850/ EN 418
Pull to release
Max. contacts to be fitted together: 4 x M22-(C)K...

Red
Pull-release

1 N/O

1 NC

= safety function, by positive opening to IEC/EN 60947-5-1



Bezel: Silver
no

Approvals

Product Standards
UL File No.
UL Category Control No.
CSA File No.
CSA Class No.
North America Certification
Degree of Protection

IEC/EN 60947-5; UL 508; CSA-C22.2 No. 14-05; CSA-C22.2 No. 94-91; CE marking
E29184
NKCR
012528
3211-03
UL listed, CSA certified
UL/CSA Type 3R, 4X, 12, 13

General

Standards

Lifespan, mechanical

Operating frequency

Actuating force

Protection type

Climatic proofing

Ambient temperature

Open

Standards		IEC/EN 60947 VDE 0660
Lifespan, mechanical	Operations x 10 ⁶	> 0.1
Operating frequency	Operations/ h	600
Actuating force	n	50
Protection type		IP66, IP69K
Climatic proofing		Damp heat, constant, to IEC 60068-2-78 Damp heat, cyclic, to IEC 60068-2-30
Ambient temperature	°C	
Open	°C	- 25 - + 70

Mounting position		As required
Mechanical shock resistance	g	50 Shock duration 11 ms Sinusoidal according to IEC 60068-2-27

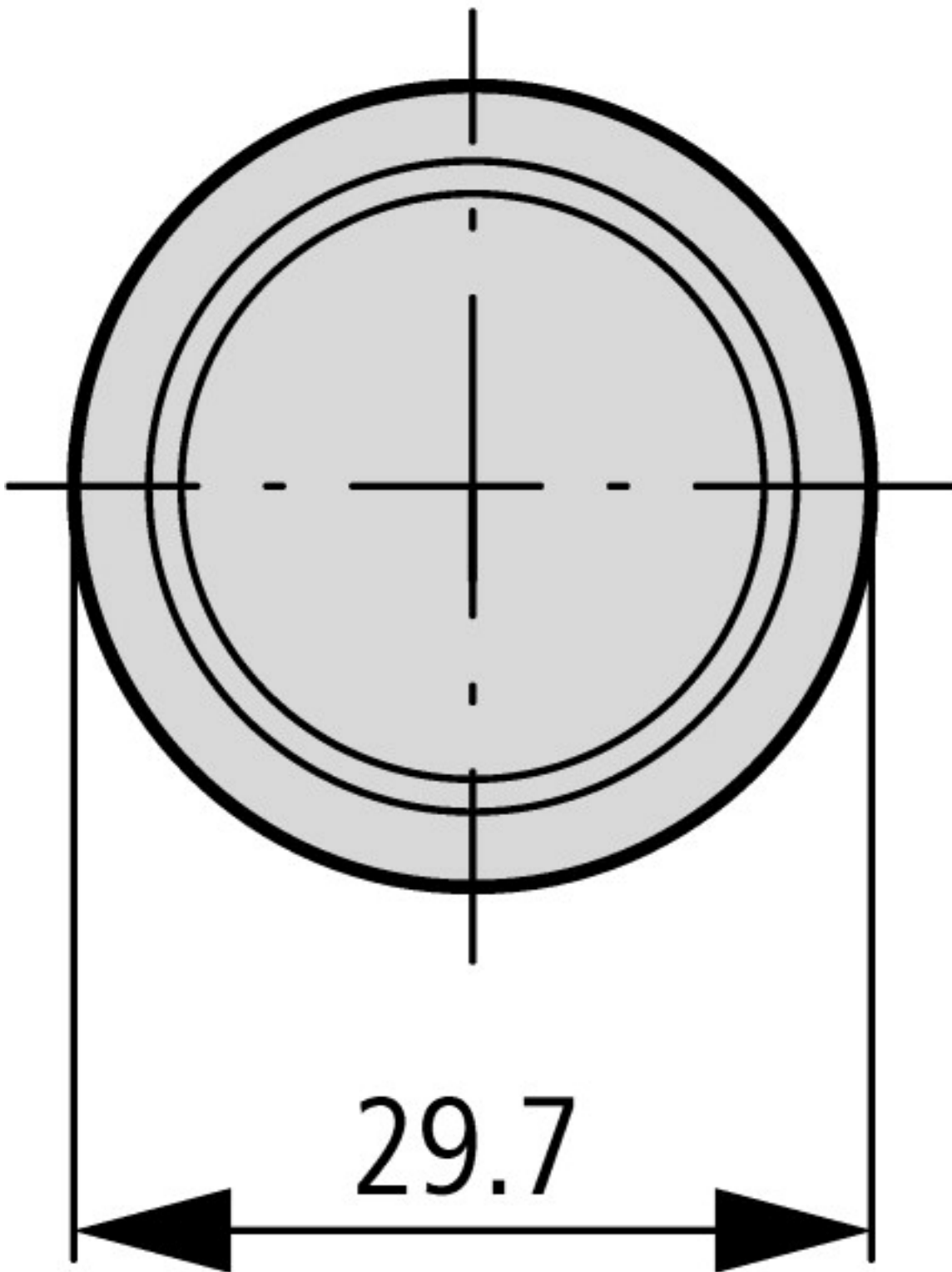
Technical data ETIM 5.0

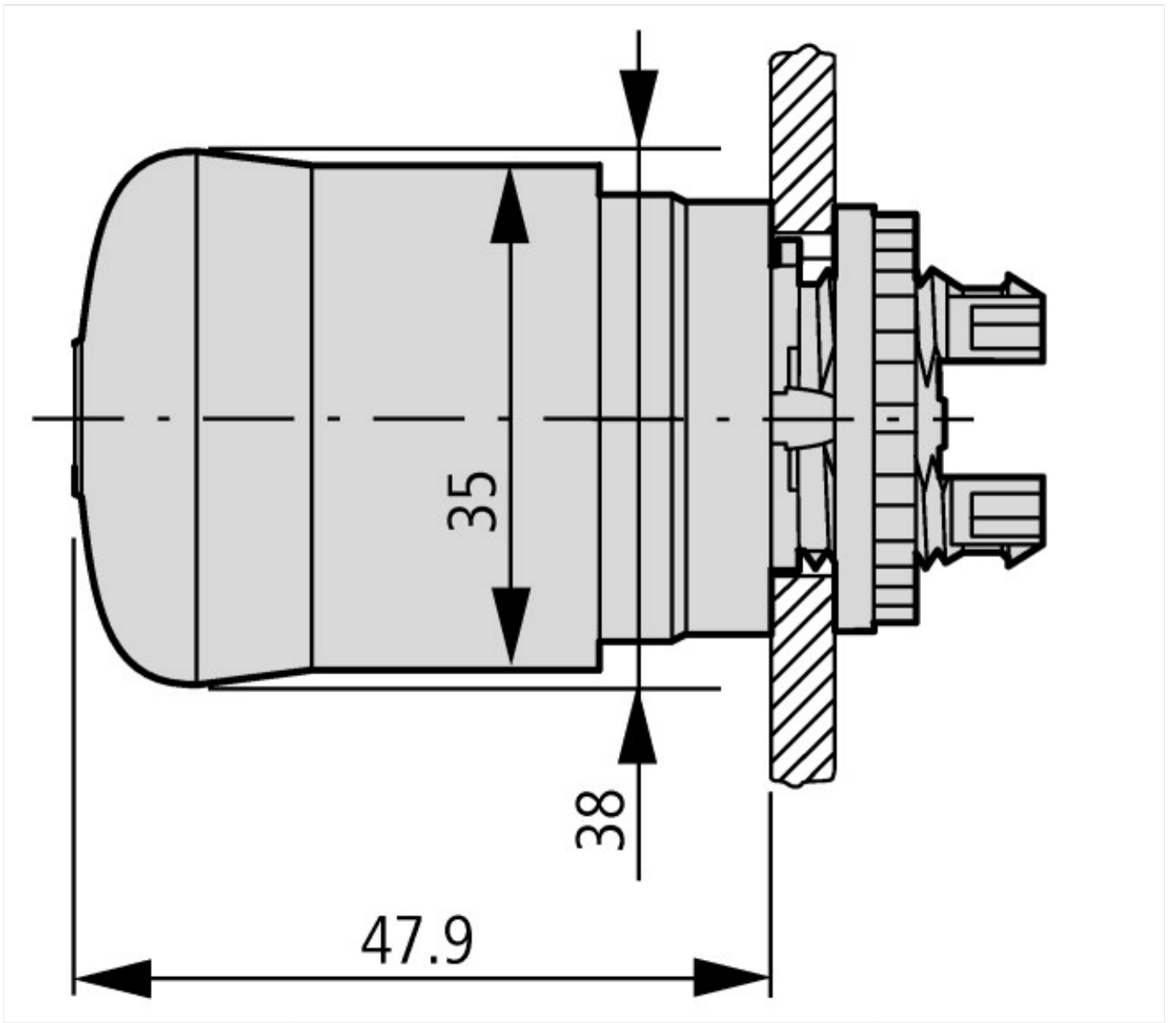
Low-voltage industrial components (EG000017) / Emergency stop complete (EC002034)

Electric engineering, automation, process control engineering / Low-voltage switch technology / Command and alarm device / EMERGENCY-STOP pushbutton, complete device (eci@ss8-27-37-12-44 [ACN986007])

Unlocking method		Pull release
Number of contacts as normally closed contact		1
Number of contacts as normally open contact		1
Degree of protection (IP)		IP66
Mounting method		Built-in
With lighting		No
Hole diameter	mm	22
Connection type auxiliary circuit		Screw connection

Dimensions





Additional product information (links)

IL04716002Z (AWA1160-1745) RMQ-Titan System

IL04716002Z (AWA1160-1745) RMQ-Titan System

ftp://ftp.moeller.net/DOCUMENTATION/AWA_INSTRUCTIONS/IL04716002Z2013_08.pdf