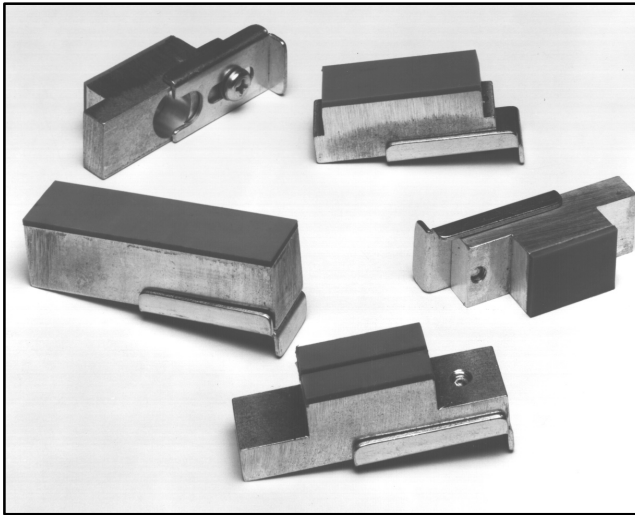


Assembly Equipment

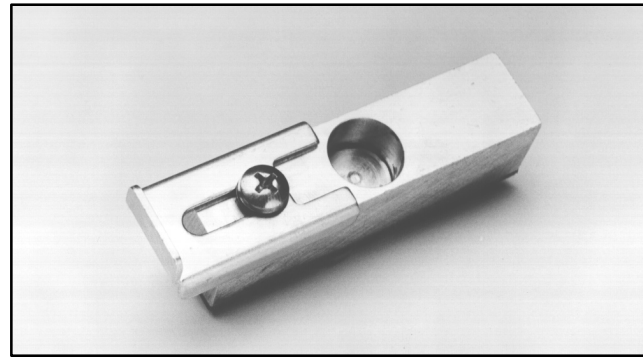
3442 Platens



242

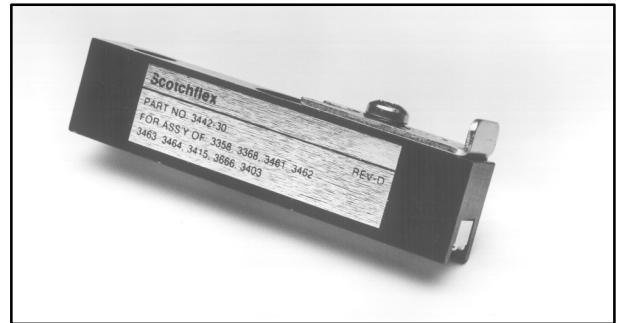
3M Platens assure proper closure of connector bodies and covers during assembly to cables. See chart below for ordering information

Part Number	Connector Application
3442-1A	Standard platen shipped with all assembly presses.
3442-2	For assembly of 3307, 3318, 3310, 3501, 3575 Backplane; 3331, 3322 Plug; 3425 Sockets
3442-26	For assembly of 3460 DIP
3442-28	For assembly of 3508 DIP
3442-9	For assembly of Sockets; PCBs
3442-21	For rivet assembly of 3406 DIP
3442-22	For rivet assembly of 3416 DIP
3442-23	For assembly of 3563 DIP
3442-27	For assembly of 3728 DIP
3442-30	Card-Edge 3415, 3461, 3462, 3463, 3464, 3466
3442-39N	D Sub 1-Piece, 9 and 15 positions; male
3442-41N	D Sub, 1-Piece, 25 and 37 positions; male
3442-44	D Sub, 50 position only; male



243

3442-1A Platen



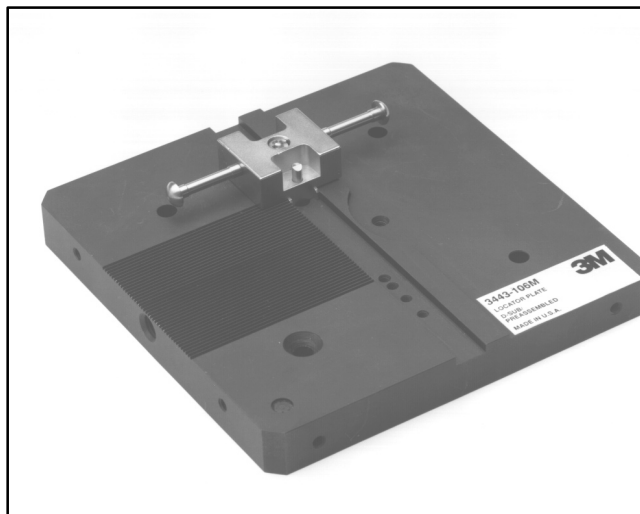
244

3442-30 Platen

Assembly Equipment

Preassembled Locator Plates

These locator plates are to be used for end-to-end and mid-span assemblies. **The termination rate is 350 to 450 per hour for end-to-end terminations.**

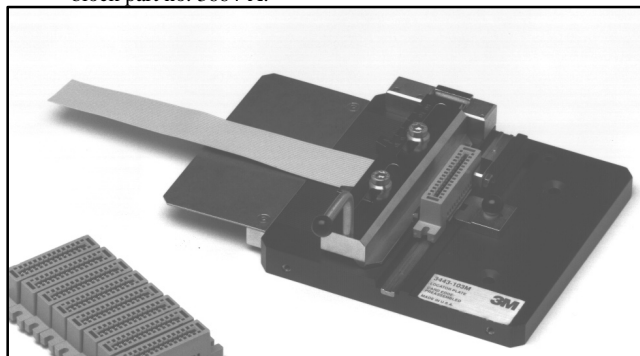


245

D Subminiature Locator Plate (9, 15, 23, 37 position) — **No. 3443-106N** (Guide wings and cable stop are not included with the locator plate.)

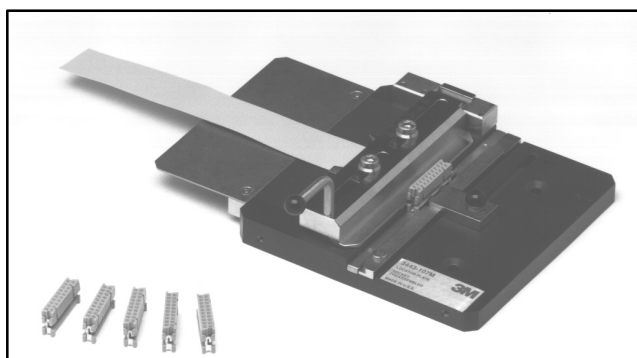
Part Number	Accessories (Order Separately)
3442-39N	Pin Platen (9-15 Pos.)
3442-41N	Pin Platen (25-37 Pos.)
3442-1A	Socket Platen (All Sizes)
3664-B	Cable Stop (End Termination) (9-37 Pos.)
3664-09	Cable Guide Wing — 9 Pos.
3664-15	Cable Guide Wing — 15 Pos.
3664-25	Cable Guide Wing — 25 Pos.
3664-37	Cable Guide Wing — 37 Pos.

Note: For floating bushing and threaded insert D-Sub, order end block part no. 3664-A.



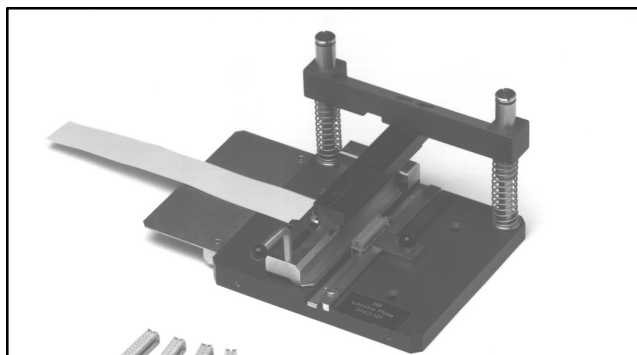
246

Card-Edge Locator Plate — **No. 3443-103N**



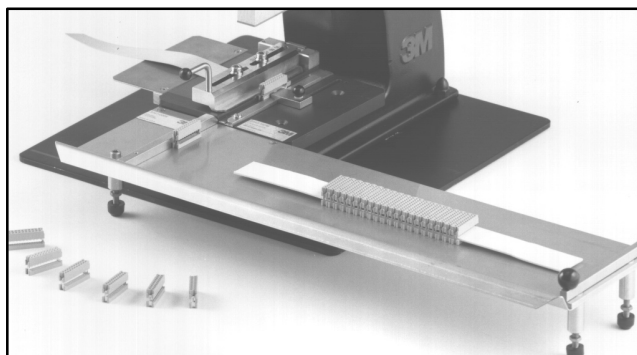
247

.100" × .100" Sockets Locator Plate — **No. 3443-107N**



248

2 Row PCB Locator Plate — **No. 3443-101M**



249

Staging Platform 3767-0005

Provides easy transfer of connectors to assembly nest area. Designed to fit all 3M Manual or 3830 Pneumatic Presses. Use with all four locator plate types

Note: When using the 3767-0005 with the 3830 Pneumatic Press, longer legs will have to be ordered. Contact Technical Service for ordering information.