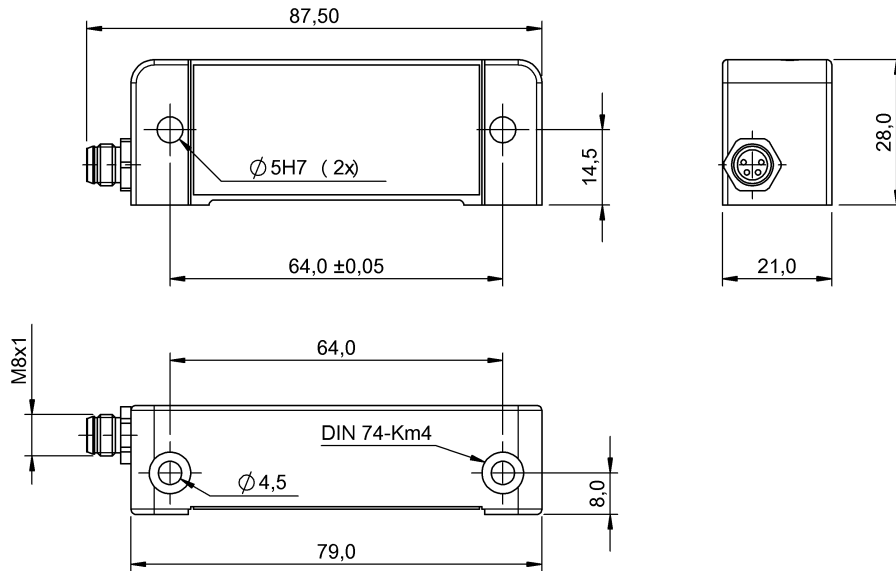


BSI R11A0-XB-CXP360-S75G BSI0004



Electrical connection

Connection	M8x1
Polarity reversal protected	yes
Short-circuit protection	yes

Electrical data

Current draw max.	33 mA
MTTF (40 °C)	256 a
Operating voltage U_b	10...30 VDC
Pollution degree	2
Protected against miswiring	yes
Rated operating voltage U_e DC	24 V
Ready delay t_v max.	1 s

Environmental conditions

Ambient temperature	-40...85 °C
EN 60068-2-27, Shock	yes
EN 60068-2-6, Vibration	yes
Protection class	III
Protection type IEC 60529	IP67
Relative humidity	95 %, non-condensing
Storage temperature	-40...85 °C

General data

Approval/Conformity	CE
---------------------	----

Basic standard	EN 61326-1
Measuring principle	Fluid

Material

Housing material	Aluminum
------------------	----------

Mechanical data

Measuring axes	1
Rotation direction	Clockwise
Weight	80.00 g

Output/Interface

Analog output	Analog, current, 4...20 mA
---------------	----------------------------

Range/Distance

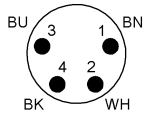
Resolution	≤ 0.01 °
Sampling rate	150 ms
Temperature drift max.	±0.01%/10K

For further information on MTTF/B10d, please refer to the MTTF / B10d Certificate.

Specification of the MTTF value and the B10d value do not represent any binding quality and/or life expectancy guarantees.

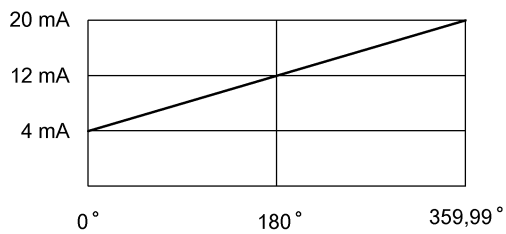
BSI R11A0-XB-CXP360-S75G
BSI0004

Connector view



PIN 1: Supply voltage + PIN 2: n.c. PIN 3:
GND PIN 4: Analog output

Diagram



Additional View

