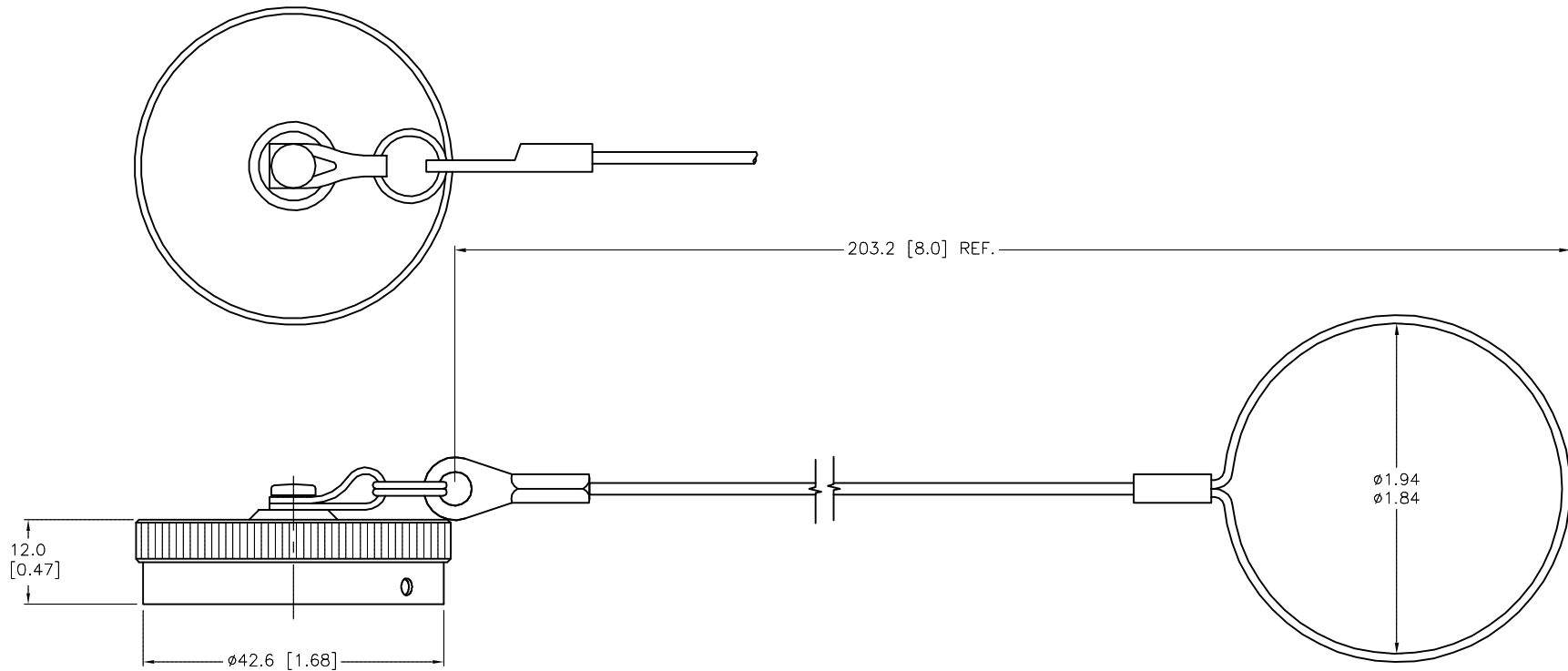


SPECIFICATIONS

CAP MATERIAL/FINISH	ALUMINUM ALLOY/OLIVE DRAB PLATING
CABLE AND EYELET MATERIAL	SST



SOURCE DRAWING - FOR REFERENCE ONLY

NOTES:  
1. ALL DIMENSIONS ARE REFERENCE.

RELATED DOCUMENTS		3RD ANGLE PROJECTION		THIS DRAWING IS CONFIDENTIAL AND THE PROPERTY OF TURCK INC. USE OF THIS DOCUMENT WITHOUT WRITTEN PERMISSION IS PROHIBITED.		<b>TURCK INC</b> High Technology Sensors and Automation Controls 3000 CAMPUS DRIVE MINNEAPOLIS, MN 55441 1-800-544-7769 (763) 553-7300 (763) 553-0708 fax turck.com	
1.			ALL DIMENSIONS DISPLAYED ON THIS DRAWING ARE FOR REFERENCE ONLY	DRFT	RDS	DATE	11/17/14
2.				APVD	J.B.	SCALE	1=1.0
3.		UNIT OF MEASUREMENT		MILLIMETER [ INCH ]		IDENTIFICATION NO.	U2-24101
4.		CONTACT TURCK FOR MORE INFORMATION		DO NOT SCALE THIS DRAWING		REV	A
MATERIAL	SEE SPECIFICATIONS					FILE: U2-24101	SHEET 1 OF 1
FINISH	SEE SPECIFICATIONS						

A	DRAWING RELEASE	RDS	11/19/14	
REV	DESCRIPTION	BY	DATE	ECO NO.