

DECOSTAR 51S 20 W 12 V 10° GU5.3

DECOSTAR 51S Standard | Halogen dichroic reflector lamps with 51 mm diameter and glass panel



Areas of application

- General illumination
- Entrance lighting
- Workplace lighting
- Kitchen lighting
- Mirror lighting
- Object lighting

Product benefits

- Brilliant accent light
- Dichroic reflector reduces the heat in the light beam by up to 66 %
- Approved for use in open luminaires (to IEC 60598-1)
- UV filter
- Contains no mercury

Product features

- Average life: 2,000 h
- Dimmable
- Color rendering index R_a : 100

Technical data

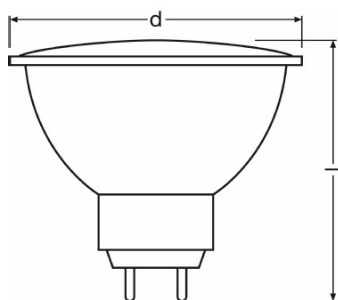
Electrical data

Nominal wattage	20 W
Nominal voltage	12 V
Rated wattage	20 W
Power factor λ	1.00
Energy consumption	22 kWh/1000h

Light technical data

Nominal useful luminous flux 90°	210 lm
Luminous intensity	3000 cd
Beam angle	10 °
Color temperature	2800 K
Color rendering index Ra	100
Starting time	0.0 s
Warm-up time (60 %)	0.00 s
Lumen main.fact.at end of nom.life time	0.75
Rated useful luminous flux 90°	210 lm

Dimensions & weight



Product line drawing

Diameter	51.0 mm
Length	46.0 mm
Overall length	45.0 mm
Outer bulb	MR51
Maximum diameter	51.0 mm

Product datasheet

Colors & materials

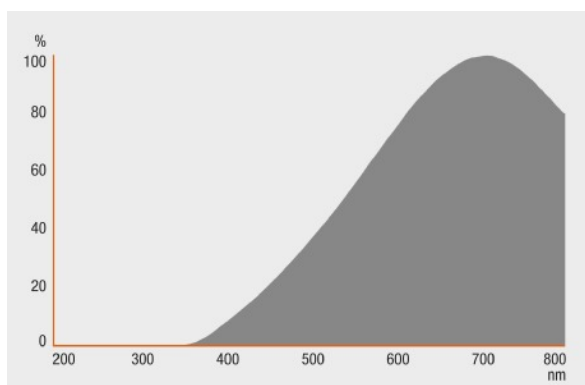
Lamp mercury content	0.0 mg
Mercury-free	Yes

Lifespan

Nominal lamp life time	2000 h
Rated lamp life time	2000 h
Number of switching cycles	50000 ¹⁾

¹⁾ At 1 min on / 3 min off

Additional product data



Spectral power distribution

Base (standard designation)	GU5.3
-----------------------------	-------

Capabilities

Burning position	Any
Dimmable	Yes

Certificates & standards

Energy efficiency class	B
-------------------------	---

Product datasheet

Country specific categorizations

ILCOS	HRGS//UB-20-12-GU5,3-51/10
Order reference	44860 SP

Country specific information

Product code	METEL code	SEG number	STK number	UK Org
4050300272474	OSRH44860SP	8327000	4739566	-

Product datasheet

Logistical Data

Product code	Product description	Packaging unit (Pieces/Unit)	Dimensions (height x width x length)	Volume	Gross weight
4050300272474	DECOSTAR 51S 20 W 12 V 10° GU5.3	Folding carton box 1	46 mm x 46 mm x 58 mm	0.12 dm ³	41.00 g
4050300531472	DECOSTAR 51S 20 W 12 V 10° GU5.3	Shipping carton box 20	190 mm x 123 mm x 163 mm	3.81 dm ³	896.00 g

The mentioned product code describes the smallest quantity unit which can be ordered. One shipping unit can contain one or more single products. When placing an order, for the quantity please enter single or multiples of a shipping unit.

References / Links

For light distribution curves see

▶ www.osram.com

Disclaimer

Subject to change without notice. Errors and omission excepted. Always make sure to use the most recent release.