

DECOSTAR 51 ECO 50 W 12 V 36° GU5.3

DECOSTAR 51 ECO | Halogen dichroic reflector lamps with 51 mm diameter



Areas of application

- General illumination
- Kitchen lighting
- Dining table lighting
- Mirror lighting
- Workplace lighting
- Shops
- Restaurants, hotels and similar prestigious applications

Product benefits

- Brilliant ECO accent lighting
- Significantly lower CO₂ emissions
- Constant luminous intensity and constant color location throughout
- Approved for use in open luminaires (to IEC 60598-1)
- UV filter
- Contains no mercury

Product features

- Average life: 5,000 h
- Dimmable
- Color rendering index R_a: 100
- Color temperature: 3,000 K



Technical data

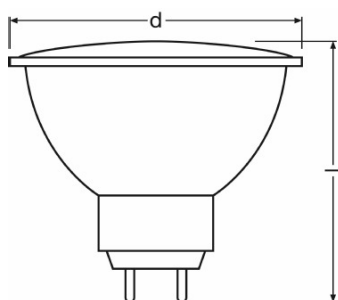
Electrical data

Nominal wattage	50 W
Nominal voltage	12 V
Rated wattage	50 W
Power factor λ	1.00
Energy consumption	53 kWh/1000h

Light technical data

Nominal useful luminous flux 90°	870 lm
Luminous intensity	2850 cd
Beam angle	36 °
Color temperature	3000 K
Light color as per EN 12464-1	Warm White
Color rendering index Ra	100
Starting time	0.0 s
Warm-up time (60 %)	0.00 s
Lumen main.fact.at end of nom.life time	0.75
Rated useful luminous flux 90°	870 lm

Dimensions & weight



Product line drawing

Diameter	51.0 mm
Length	46.0 mm
Overall length	45.0 mm
Outer bulb	MR51

Product datasheet

Maximum diameter	51.0 mm
------------------	---------

Colors & materials

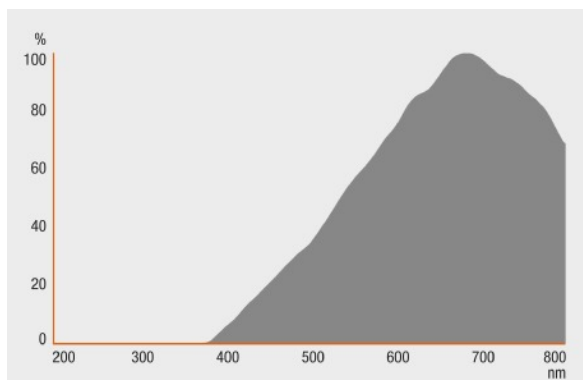
Lamp mercury content	0.0 mg
Mercury-free	Yes

Lifespan

Nominal lamp life time	5000 h
Rated lamp life time	5000 h
Number of switching cycles	125000 ¹⁾

¹⁾ At 1 min on / 3 min off

Additional product data



Spectral power distribution

Base (standard designation)	GU5.3
-----------------------------	-------

Capabilities

Burning position	Any
Dimmable	Yes

Certificates & standards

Energy efficiency class	B
-------------------------	---

Product datasheet

Country specific categorizations

ILCOS	HRGS//UBIB-50-12-GU5,3-51/38
Order reference	48870 WFL

Country specific information

Product code	METEL-Code	SEG number	STK number	UK Org
4050300516714	-	8326934	4739670	-

Product datasheet

Logistical Data

Product code	Product description	Packaging unit (Pieces/Unit)	Dimensions (height x width x length)	Volume	Gross weight
4050300516714	DECOSTAR 51 ECO 50 W 12 V 36° GU5.3	Folding carton box 1	51 mm x 46 mm x 58 mm	0.14 dm ³	38.00 g
4050300533940	DECOSTAR 51 ECO 50 W 12 V 36° GU5.3	Shipping carton box 20	123 mm x 122 mm x 238 mm	3.57 dm ³	836.00 g

The mentioned product code describes the smallest quantity unit which can be ordered. One shipping unit can contain one or more single products. When placing an order, for the quantity please enter single or multiples of a shipping unit.

References / Links

For light distribution curves see

▶ www.osram.com

Disclaimer

Subject to change without notice. Errors and omission excepted. Always make sure to use the most recent release.