

DECOSTAR 51 TITAN 35 W 12 V 60° GU5.3

DECOSTAR 51 TITAN | Halogen longlife dichroic reflector lamps 51 mm and glass panel



Areas of application

- General illumination
- Shops
- Restaurants, hotels and similar prestigious applications
- Offices, public buildings

Product benefits

- Brilliant accent light
- Constant bluish appearance of the light escaping at the back of the reflector
- Dichroic reflector reduces the heat in the light beam by up to 66 %
- Constant luminous intensity and constant color location throughout
- Flat clear shield
- Approved for use in open luminaires (to IEC 60598-1)
- UV filter
- Contains no mercury

Product features

- Average life: 4,000 h
- Dimmable
- Color rendering index R_a : 100
- Color temperature: 3,000 K



Product datasheet

Technical data

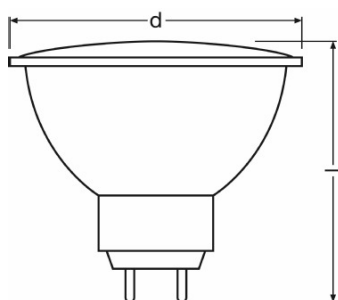
Electrical data

Nominal wattage	35 W
Nominal voltage	12 V
Rated wattage	35 W
Power factor λ	1.00
Energy consumption	38 kWh/1000h

Light technical data

Nominal useful luminous flux 90°	550 lm
Luminous intensity	700 cd
Beam angle	60 °
Color temperature	3000 K
Light color as per EN 12464-1	Warm White
Color rendering index Ra	100
Starting time	0.0 s
Warm-up time (60 %)	0.00 s
Lumen main.fact.at end of nom.life time	0.75
Rated useful luminous flux 90°	550 lm

Dimensions & weight



Product line drawing

Diameter	51.0 mm
Length	46.0 mm
Overall length	46.0 mm
Outer bulb	MR51

Product datasheet

Maximum diameter	51.0 mm
------------------	---------

Colors & materials

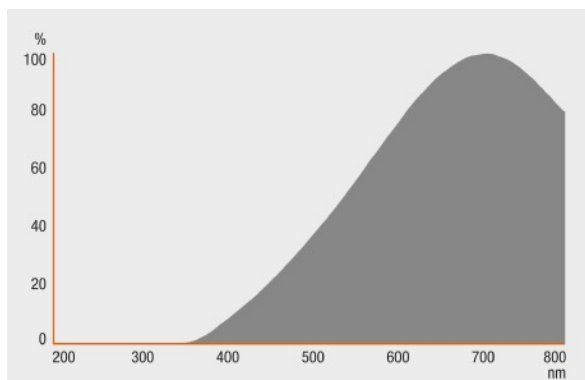
Lamp mercury content	0.0 mg
Mercury-free	Yes

Lifespan

Nominal lamp life time	4000 h
Rated lamp life time	4000 h
Number of switching cycles	100000 ¹⁾

¹⁾ At 1 min on / 3 min off

Additional product data



Spectral power distribution

Base (standard designation)	GU5.3
-----------------------------	-------

Capabilities

Burning position	Any
Dimmable	Yes

Certificates & standards

Energy efficiency class	B
-------------------------	---

Product datasheet

Country specific categorizations

ILCOS	HRGS//UB-35-12-GU5,3-51/60
Order reference	46865 VWFL

Country specific information

Product code	METEL code	SEG number	STK number	UK Org
4050300428734	OSRH46865VWFL	8326956	4739640	-

Product datasheet

Logistical Data

Product code	Product description	Packaging unit (Pieces/Unit)	Dimensions (height x width x length)	Volume	Gross weight
4050300428734	DECOSTAR 51 TITAN 35 W 12 V 60° GU5.3	Folding carton box 1	46 mm x 46 mm x 58 mm	0.12 dm ³	38.00 g
4050300531847	DECOSTAR 51 TITAN 35 W 12 V 60° GU5.3	Shipping carton box 20	123 mm x 135 mm x 238 mm	3.95 dm ³	836.00 g
4052899028005	DECOSTAR 51 TITAN 35 W 12 V 60° GU5.3	Blister 2	- x - x -		
4052899028012	DECOSTAR 51 TITAN 35 W 12 V 60° GU5.3	Shipping carton box 20	- x - x -		

The mentioned product code describes the smallest quantity unit which can be ordered. One shipping unit can contain one or more single products. When placing an order, for the quantity please enter single or multiples of a shipping unit.

References / Links

For light distribution curves see

▶ www.osram.com

Disclaimer

Subject to change without notice. Errors and omission excepted. Always make sure to use the most recent release.