

# HellermannTyton

DATA SHEET

PVC: Sleeving

## DESCRIPTION

PVC is a commercial grade of PVC sleeving. It has a wide range of insulation and identification applications in the auto and domestic industries. Available as earth sleeving from 2.0-16.0 mm diameter and in phase colours from 2.0-20.0mm diameter.

## APPLICATION

It can be used as electrical insulation, physical protection and for decorative applications.

## PROPERTIES

Properties	Typical Results	Test Method
Material	PVC	
Continuous Operating Temp	-30°C to +85°C	IEC 216
Intermittent Temp	+105°C	
Flammability	Self-extinguishing	
Tensile Strength	19MPa	
Elongation at break	270%	
Proof Voltage	5kV	BS2848
Insulation Resistance	3 x 10 <sup>7</sup> M Ohms	
Shelf Life (<40°C)	5 years	
Colours	Grey, Black, Blue, Brown & Green-Yellow	

## STANDARDS

Approved to: N/A

Conforms to: BS2848 Type 3/85T

Issue 3

Pennycross Close, Plymouth, Devon PL2 3NX, England  
Telephone: +44 (0) 1752 701261; Fax: +44 (0) 1752 790058

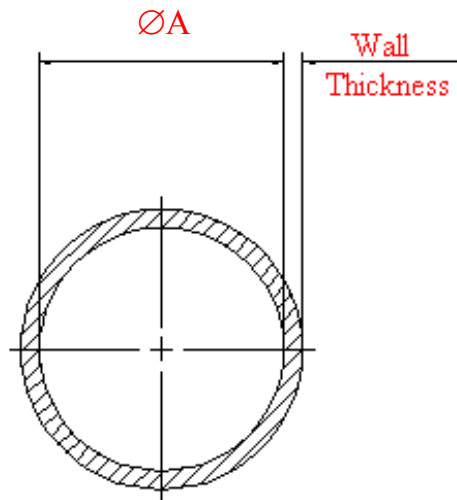
07-2009

# HellermannTyton

DATA SHEET

PVC: Sleeving

## DIMENSIONS



PVC SIZE	ØA nom (mm)	Standard wall (mm)	Coil length (m)
10	1.0	0.5	100
20	2.0	0.5	100
30	3.0	0.5	100
40	4.0	0.5	100
50	5.0	0.5	100
60	6.0	0.5	100
80	8.0	0.7	100
100	10.0	0.7	100
120	12.0	0.9	100
160	16.0	0.9	100
200	20.0	0.9	100

Issue 3

Pennycross Close, Plymouth, Devon PL2 3NX, England  
Telephone: +44 (0) 1752 701261; Fax: +44 (0) 1752 790058

07-2009