

Technical specifications

Order No.	6EP1 967-2AA00
Input	AC voltage 1-phase, 2-phase, 50/60 Hz
Rated voltage $U_{in \text{ rated}}$	100 ... 480 V AC
Voltage range	85 ... 575 V AC
Overvoltage strength	-
Input current $I_{in \text{ rated}}$	-
Output	
Rated voltage $U_{out \text{ rated}}$	In accordance with the supply voltage
Rated current $I_{out \text{ rated}}$	Max. 10 A
Mains buffering	-
Buffering time, max.	-
Parallel switching for enhanced performance	No
Protection and monitoring	
Current limiting, static	-
Short-circuit protection	Must be ensured with an upstream protective device
Signaling/alarm signals	
Status display	Green LED
Alarm signals	-
Safety	In accordance with EN 60950-1 and EN 50178

Order No.	6EP1 967-2AA00
------------------	-----------------------

Galvanic isolation No

Safety class Class II

CE marking Yes

UL/cUL (CSA) approval Yes, cULus-listed (UL 508, CSA C22.2 No. 107.1), File E197259

Degree of protection (EN IP20 60529)

EMC

Emitted interference EN 61000-6-3

Noise immunity EN 61000-6-2

Operating data

Ambient temperature range 0 ... +60 °C with natural convection

Transport and storage temperature range -40 ... +85 °C

Humidity class Climate class 3K3 according to EN 60721, no condensation

Mechanics

Connections Input and output (L1, N): One screw terminal each for 0.2 ... 2.5 mm², solid/finely stranded

Dimensions (W x H x D) in mm 22.5 x 80 x 91

Weight, approx. 0.12 kg

Order No.

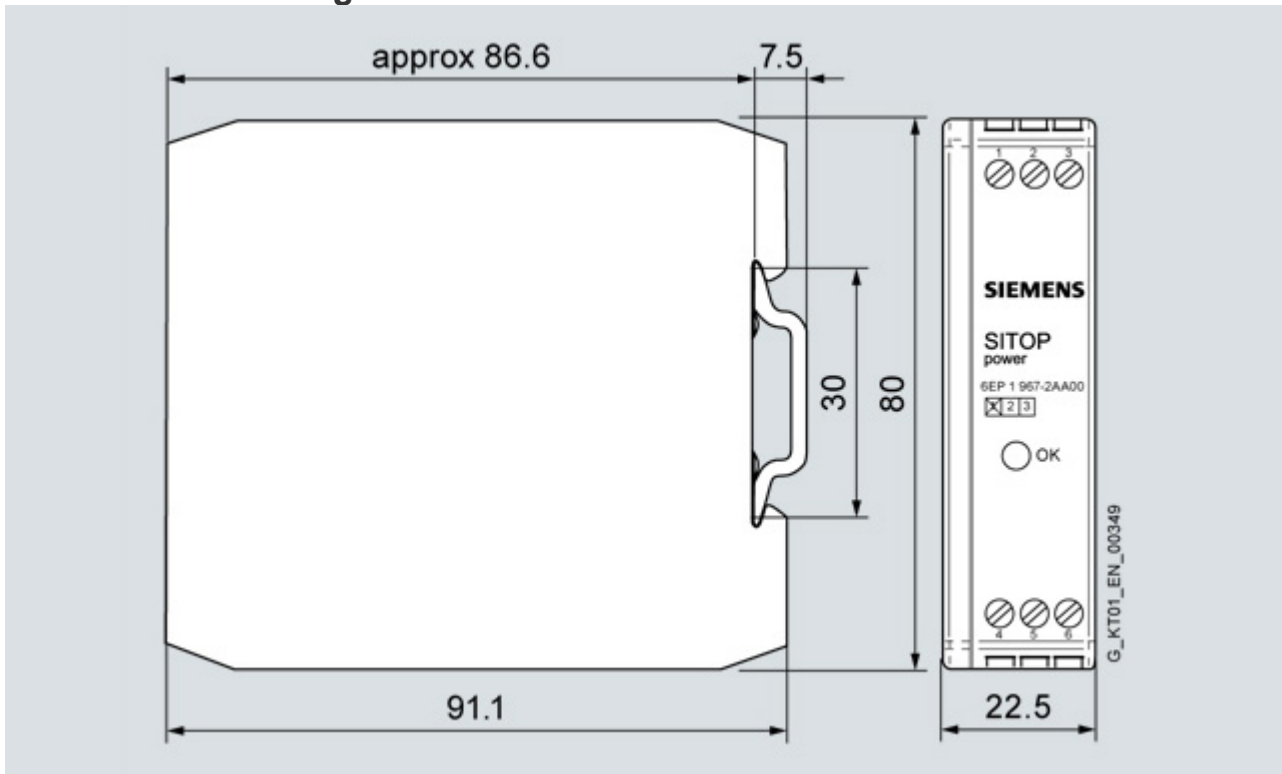
6EP1 967-2AA00

Mounting

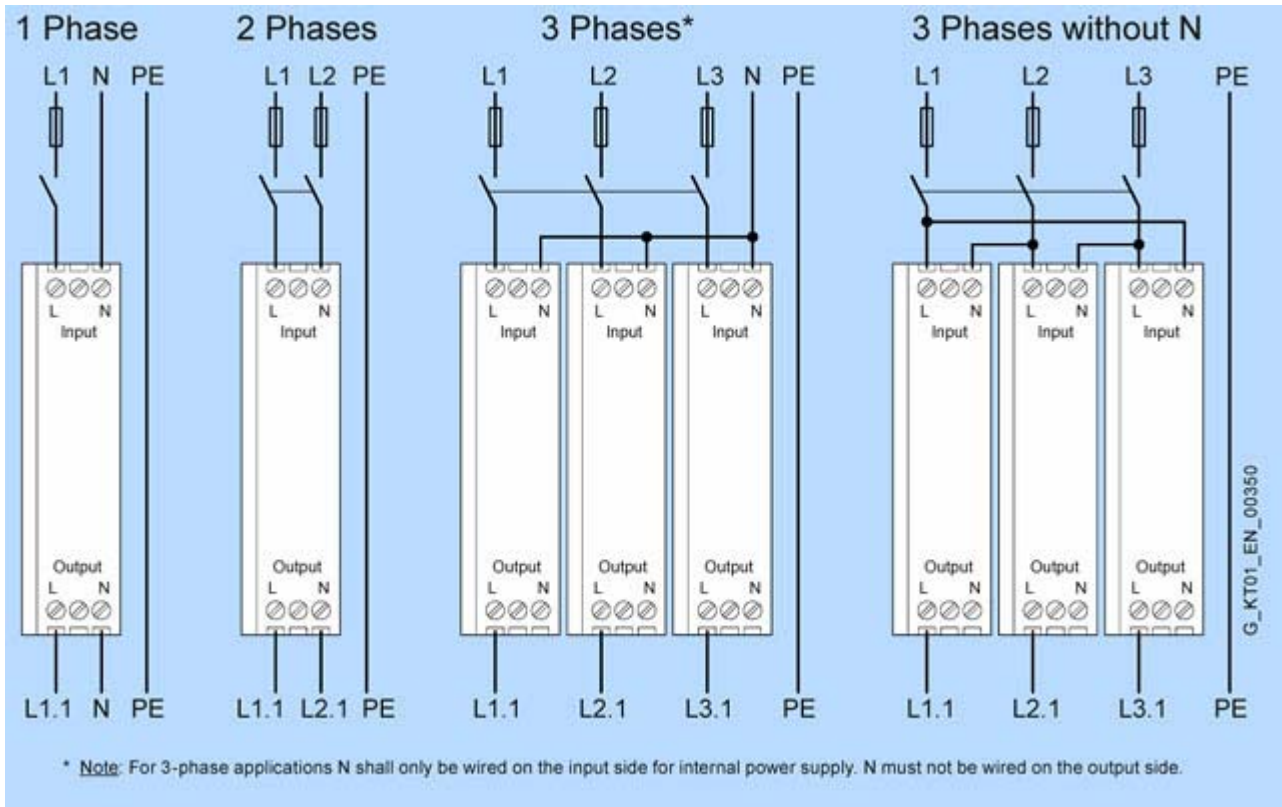
Can be snapped onto standard
mounting rail EN 60715 35x7.5/15



Dimensional drawings



Schematics



SITOP inrush current limiter connection diagram