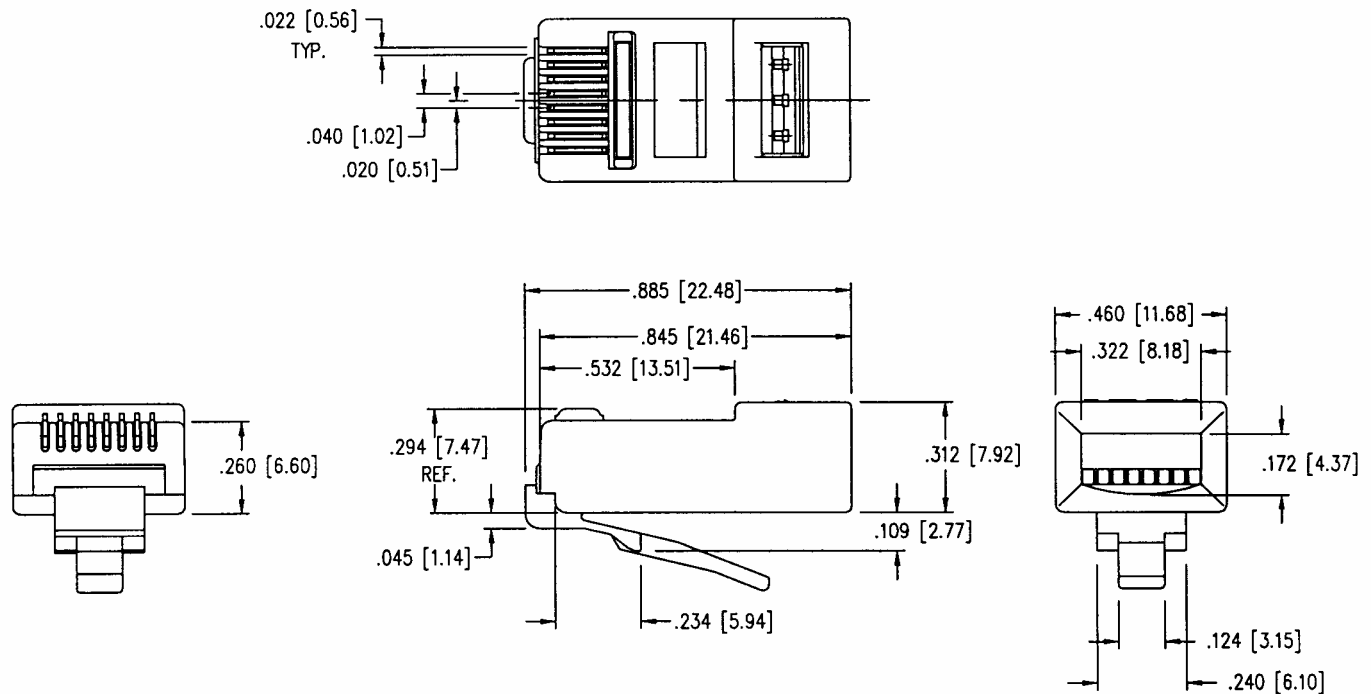
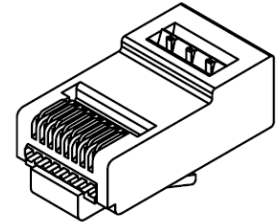


PART NO.: 105003 EZ-RJ45[®] Cat5e

- EIGHT CONDUCTOR MODULAR PLUG
- FOR CONDUCTORS WITH AN O.D. RANGE OF .037-.041"
- MAX CABLE OD: 0.240"
- USES .0135 CONTACT
- FOR SOLID OR STRANDED WIRE APPLICATIONS
- RoHS COMPLIANT



SPECIFICATIONS:

PERFORMANCE:	MEETS OR EXCEEDS CATEGORY 5E PER TIA/EIA-568-B.2
TRANSMISSION:	RATED 1 GIG
CONTACT MATERIAL	PHOSPHOR BRONZE .0135 THK
CONTACT PLATING	50 MICRO INCH SELECTIVE 24 CARAT HARD GOLD IN CONTACT AREA OVER 100 MICRO INCH MINIMUM NICKEL PLATE.
PLUG MATERIAL	POLYCARBONATE
PLUG TOLERANCES/DIMS	COMPLIES WITH F.C.C. REQUIREMENTS
OPERATION TEMPERATURE	-40° TO +85° C
UL RECOGNIZED	FILE# E188111
FLAME AUTO EXTINGUISH	94-VO
INSERTION/EXTRACTION	1000 CYCLES
CONTACT RESISTANCE	10 MILLIOHMS MAX.
CURRENT VOLTAGE	30 VAC/42 VDC AT 1.5 AMPS

MANUFACTURED BY SULLSTAR TECHNOLOGIES, INC. PATENTED: 5,996,224, 6,017,237 and 6,105,229 AND FOREIGN PATENTS. PATENTS INSURED. EZ-RJ45[®] IS A REGISTERED TRADEMARK OF SULLSTAR TECHNOLOGIES, INC.