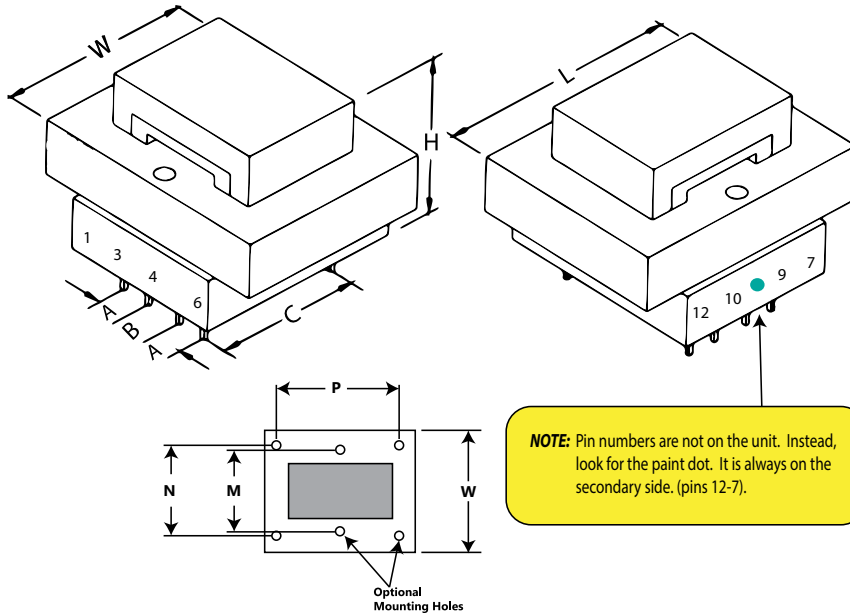


Low Voltage P.C. Board Mounted Power Transformer



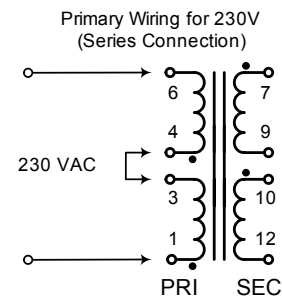
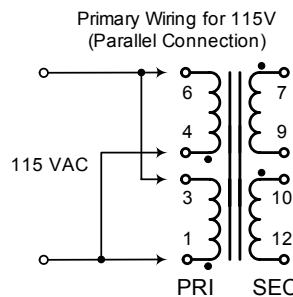
Key Features:

- Universal operation on 50/60Hz, 115 or 230V dual primary for worldwide use.
- Low Profile, split bobbin with top shroud design
- Dual winding secondary, non-concentrically wound.
- Low Primary to secondary coupling with no electro-static shield required.
- High Insulation - Hipot of 4,000V RMS
- Class F Insulation - 155 degrees C.
- P.C. Board mount with industry standard pin spacing.
- Agency listings: cURus, CE, and TUV.

Mechanical - inches (mm)	
L	1.63 (41.4)
W	1.44 (36.6)
H	1.38 (35.1)
A	0.2 (5.1)
B	0.4 (10.2)
C	1 (25.4)
M	1.06 (26.9)
N	- (-)
P	- (-)
Pin Size	0.025 (0.6)
Screw Type	#4
Weight	0.37 lbs. / 0.17 kg
Electrical	
Size (VA)	5
Primary	115 / 230 VAC
Sec (Series)	12.6V C.T. @ 0.4A
Sec (Parallel)	6.3V @ 0.8A

Connection Information 183 Series Power Transformers

Primary Connections - 183 Series Transformers



Secondary Connections - 183 Series Transformers

