

## ▶▶▶ Industrial Power Supplies

These Sixnet industrial power supplies are designed to meet or exceed the requirements of the industrial devices they power. They are ideal for any industrial application where consistent performance and long term reliability are a must.

### PRODUCT HIGHLIGHTS

- AC input up to 264 VAC at 50/60 Hz
- DC input up to 370 VDC
- 24 VDC output up to 120 Watts (5 Amps)
- Fully protected from short circuit, over-load, over-voltage and over-temperature conditions
- DIN rail mounting standard
- Wide operating temperature range
- Certified to perform

### SEVERAL MODELS TO CHOOSE FROM

- **RM-PS-024-01** (24 Watts)
  - Output: 24 VDC @ 1 Amp
  - 18 extra terminals for bussing power
  - Connect a second supply for redundancy
  - Universal AC input from 85 – 264 VAC
  - Ideal for small distributed I/O stations
  - Unique hot swappable power module
  - Both DIN rail and panel mounting
- **ET-PS-024-02** (48 Watts)
  - Output: 24 VDC @ 2 Amps
  - Compact size - ideal for small enclosures
  - Universal AC input from 85 - 264 VAC
  - Ideal to power an industrial switch or modem
- **ST-PS-024-05** (120 Watts)
  - Output: 24 VDC @ 5 Amps
  - Selectable AC input up to 264 VAC
  - Compact size - high power to size ratio
  - Ideal for medium size automation panels

RM-PS-024-01



ET-PS-024-02



ST-PS-024-05



### ORDERING GUIDE

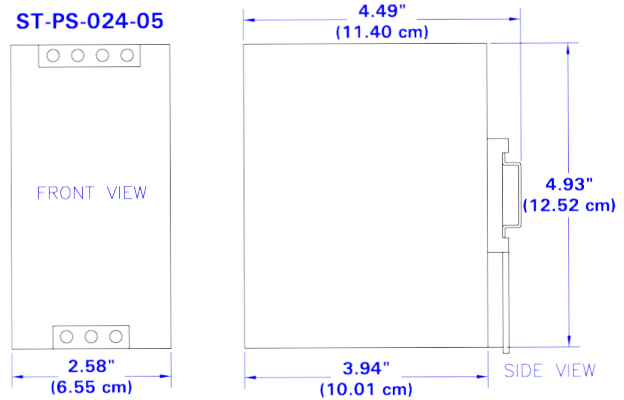
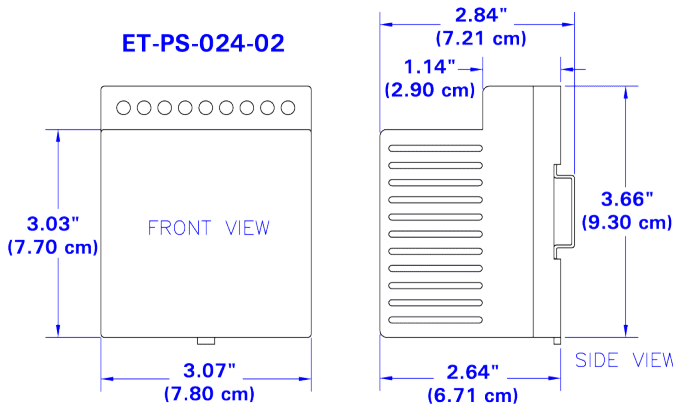
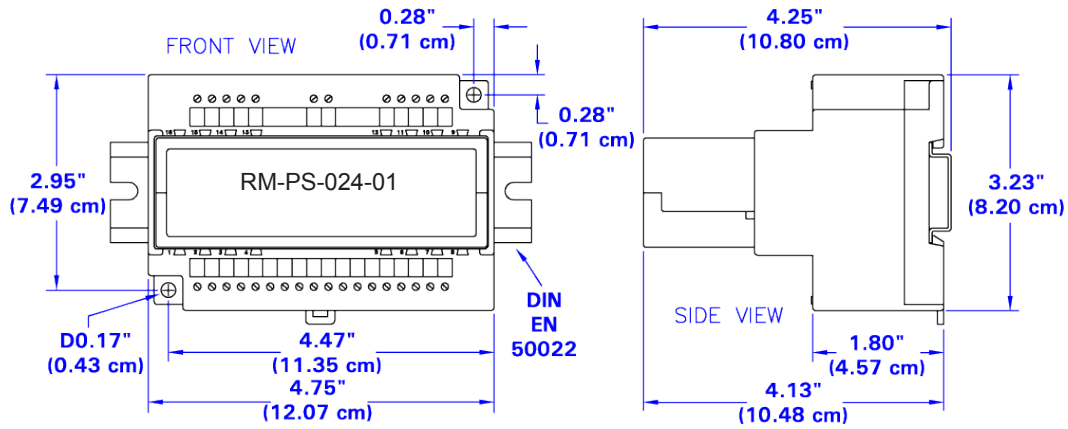
<b>RM-PS-024-01F</b>	AC to 24 VDC power supply; 24 Watts (1 Amp)
<b>ET-PS-024-02</b>	AC to 24 VDC power supply; 48 Watts (2 Amps)
<b>ST-PS-024-05</b>	AC to 24 VDC power supply; 120 Watts (5 Amps)

# xx-PS-024 Industrial 24 VDC Power Supply Specifications

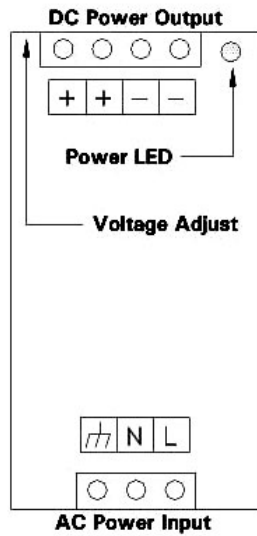
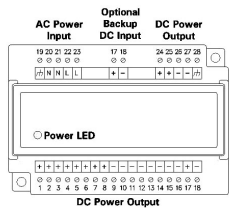
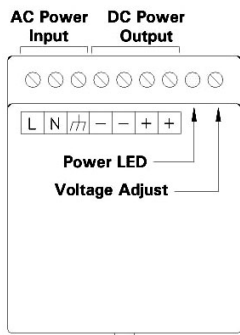
<b>MODEL</b>		<b>RM-PS-024-01</b>	<b>ET-PS-024-02</b>	<b>ST-PS-024-05</b>
<b>OUTPUT</b>	DC Voltage	24VDC		
	Rated Current	1 Amp	2 Amps	5 Amps
	Current Range	0 - 1 Amps	0 - 2 Amps	0 - 5 Amps
	Rated Power	24 Watts	48 Watts	120 Watts
	Ripple/Noise (max)	240 mV p-p	480 mV p-p	80 mVp-p
	Voltage Adjust	-	21.6 - 26.4 VDC	24 - 28 VDC
	Voltage Tolerance	+/- 1%	+/- 1%	+/- 1%
	Line Regulation	+/- 0.2%	+/- 1%	+/- 0.5%
	Load Regulation	+/- 0.5%	+/- 1%	+/- 1%
	Setup & Rise Time	200mS & 30mS	800mS & 60mS	500mS & 70mS
	Hold Time (typical)	100mS @ 230 VAC	100mS @ 230 VAC	36mS @ 230 VAC
<b>INPUT</b>	AC Voltage Range	85 - 264 VAC		88 - 132, 176-264 VAC
	DC Voltage Range	120 - 370 VDC		248 - 370 VDC
	Frequency Range	47 - 63 Hz		
	Efficiency (typical)	79%	80%	84%
	AC Current (typical)	0.6 Amp @ 115 VAC, 0.4 Amp @ 230 VAC	1.5 Amps @115 VAC, 0.75 Amp @ 230 VAC	2.6 Amps @115 VAC, 1.6Amps @ 230VAC
	Inrush Current	Cold start 36 Amps	Cold start 28 Amps @ 115 VAC, 56 Amps @ 230 VAC	Cold start 20 Amps @ 115 VAC, 40 Amps @ 230 VAC
	Leakage Current	<0.5 mA @ 240 VAC	<1mA @ 240VAC	<3.5mA @ 240VAC
<b>PROTECTION</b>	Over-load	Above 105% rated output, w/automatic recovery	105 - 150% rated output, current limiting w/automatic recovery	
	Over-voltage	28 - 33 VDC shut down output, cycle power to recover		
	Over-temp.	135°C, shut down output w/automatic recovery	90°C shut down w/automatic recovery	
<b>ENVIRONMENTAL</b>	Operation Temp.	-35 to +75°C (derate output 2% per °C above 45°C)		-20 to 70°C (derate output 2% per °C above 45°C)
	Storage Temp.	-40 to +85°C		
	Operation humidity	20 to 90% RH non-condensing		
	Storage humidity	10 to 95% RH		
	Temp. coefficient	+/-0.03% per °C		
	Vibration	10 - 500 Hz; 2G 10 min per cycle; 60m period each along X, Y, Z axes		
<b>STANDARDS</b>	Safety	CUL (UL508 / CSA C22.2); TUV EN60950-1		
	Haz. Locations	CUL 1604 (CSA C22.2/213); Class I, Div.2; Groups A, B, C, D		
	Withstand Volt.	Input to output: 3KVAC; Input to GND: 1.5KVAC; Output to GND: 0.5KVAC		
	Isolation Resistance	100M Ohms @ 500VDC		
	EMI Emissions	EN55011, EN55022 (CISPR22) Class B		
	EMC Immunity	EN61000-4-2, 3, 4, 5; light industry level, criteria A	EN61000-4-2, 3, 4, 5, 6, 8, 11; ENV5024; EN50024; EN61000-62 (50082-2); heavy industry level, criteria A	
	Harmonic Current	EN61000-3-2, EN61000-3-3		
<b>MISCELLANEOUS</b>	MTBF	576,000 hours per MIL- HDBK-217 @ 25°C	365,000 hrs per MIL- HDBK-217 @25°C	137,000 hrs per MIL- HDBK-217 @25°C
	Packaging	IP30	IP30	IP20
	Mounting	DIN rail or flat to panel	DIN rail	
	Weight	0.5Kg (1.1lbs)	0.31 Kg (0.6lbs)	0.79Kg (1.7lbs)
	Dims	See mechanical drawings		

All specifications are subject to change. Consult factory for latest info.

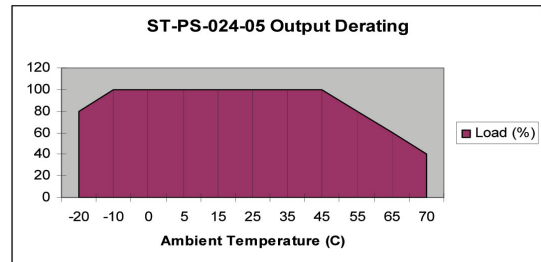
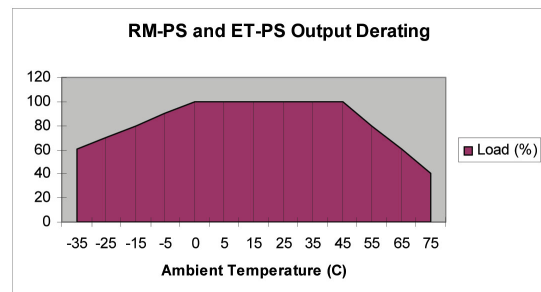
# ▶▶▶ xx-PS-024 Industrial 24 VDC Power Supply Specifications



## POWER CONNECTIONS



## OUTPUT DERATING



[www.redlion.net](http://www.redlion.net)

Connect. Monitor. Control.

**Americas**  
sales@redlion.net

**Asia-Pacific**  
asia@redlion.net

**Europe  
Middle East  
Africa**  
europe@redlion.net

+1 (717) 767-6511

As the global experts in communication, monitoring and control for industrial automation and networking, Red Lion has been delivering innovative solutions for over forty years. Our award-winning technology enables companies worldwide to gain real-time data visibility that drives productivity. Product brands include Red Lion, N-Tron and Sixnet. With headquarters in York, Pennsylvania, the company has offices across the Americas, Asia-Pacific and Europe. For more information, please visit [www.redlion.net](http://www.redlion.net). Red Lion is a Spectris company.