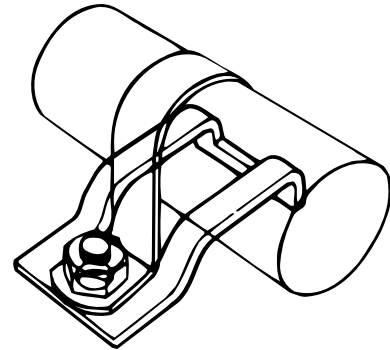
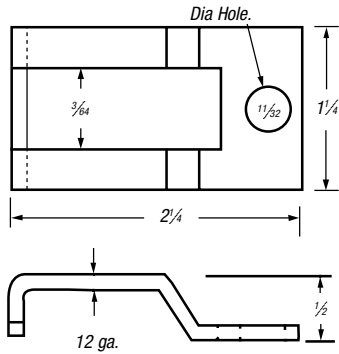


Cable and Mounting Systems

J-865 Bar Hanger

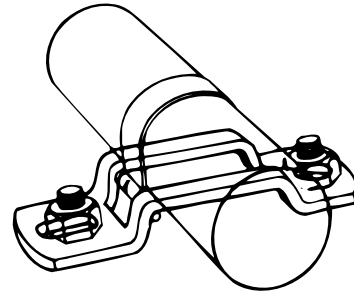
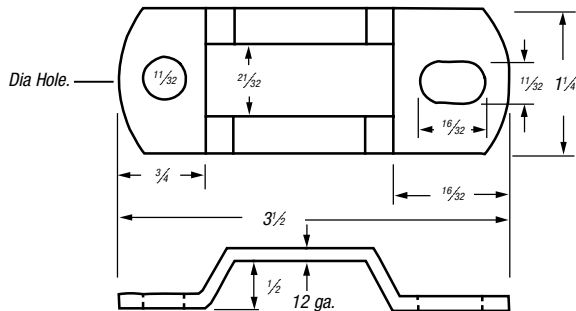
Supports one cable or tube up to 1 1/16" O.D. Only one stud or screw necessary for mounting.



CAT. NO.	DESCRIPTION
J 865	Steel, Galv-Krom® Finish, 6.7 lbs./C.

J-866 Bar Hanger

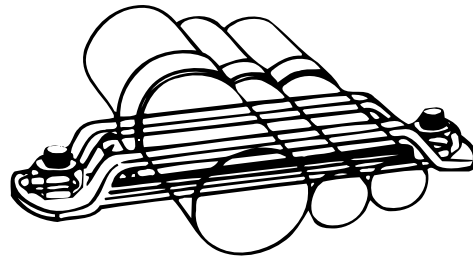
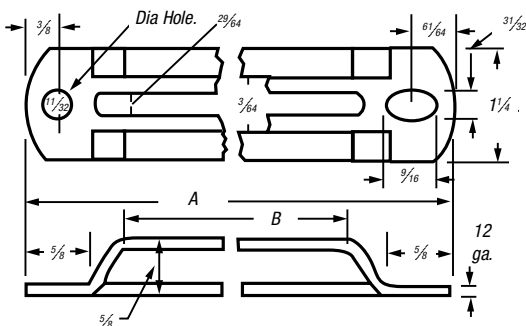
Supports one large or two small cables or tubes up to a total of 1 5/16" O.D.



CAT. NO.	DESCRIPTION
J 866	Steel, Galv-Krom® Finish, 9 lbs./C.

J-867 Bar Hanger

- Cable or tube assembly locks in place with one short 1/4" screw and nut
- Use two studs, welding pads or bolts to mount



CAT. NO.	DIMENSIONS (IN.)		WT. LBS./C
	A	B	
J 867 1	5 1/8	2 7/8	15
J-867-2	7 1/8	4 7/8	20
J-867-3	9 1/8	6 7/8	27

Steel, Galv-Krom® finish.