

FOX ADJUSTABLE PRESSURE SWITCH - K3 SERIES

300 BAR RATED

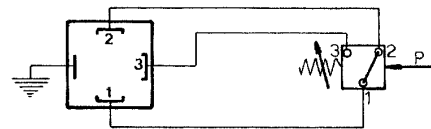
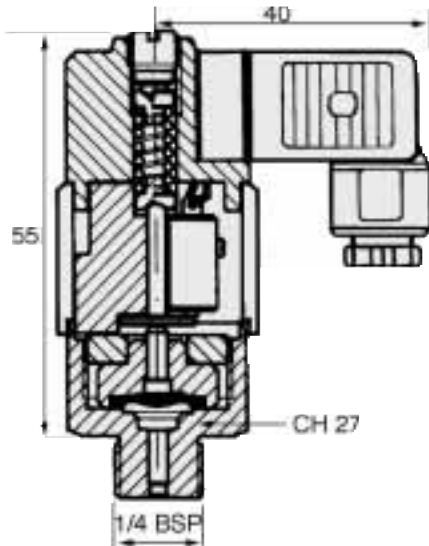
K3 adjustable pressure switches provide an electrical signal once a preset pressure value is reached. The preset pressure is adjusted by rotating the external screw located in the centre of the instrument, clockwise to increase the pressure and anti-clockwise to decrease the pressure. Mechanical stops protect both the spring and the micro-switch from over pressurisation.



TECHNICAL FEATURES

BODY	=	STEEL
CONNECTION	=	1/4" BSP MALE
MOUNTING	=	ANY ORIENTATION
TEMP. RANGE	=	-20 TO +80°C
FREQUENCY	=	120 CYCLES/MIN
ACCURACY	=	3% OF SET PRESSURE
FIXED HYSTERESIS	=	10% MEMBRANE / 15% PISTON
WEIGHT	=	90gm
ELECTRICAL FEATURES		M2 (DIN PLUG)
ELECTRICAL CONNECTION	=	DIN 43650
WEATHERPROOF	=	IP65
MAX. CONTACT LOAD	=	AC 250v (5 A) DC 250v (0.25 A)

DIMENSIONS



ELECTRICAL CONNECTION

NORMALLY OPEN
OR
NORMALLY CLOSED

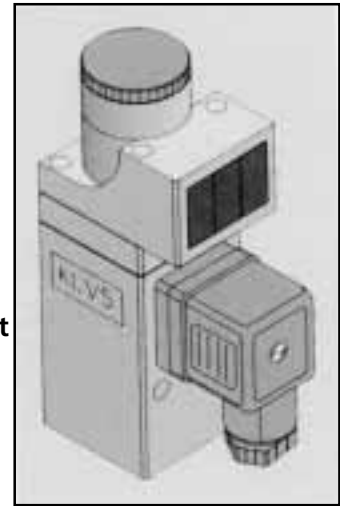
IDENT		K31	K33	K33P	K35	K35P	K37					
ADJUSTABLE PRESSURE RANGE	BAR	1 > 10	5 > 50	5 > 50	10 > 100	10 > 100	30 > 250					
MAX PRESSURE	BAR	25	200	300	200	300	300					
TYPE		M	M	P	M	P	P					

M = MEMBRANE P = PISTON

FOX ELECTRONIC PRESSURE SWITCH WITH ADJUSTABLE HYSTERESIS - KLV5 SERIES

400 BAR RATED

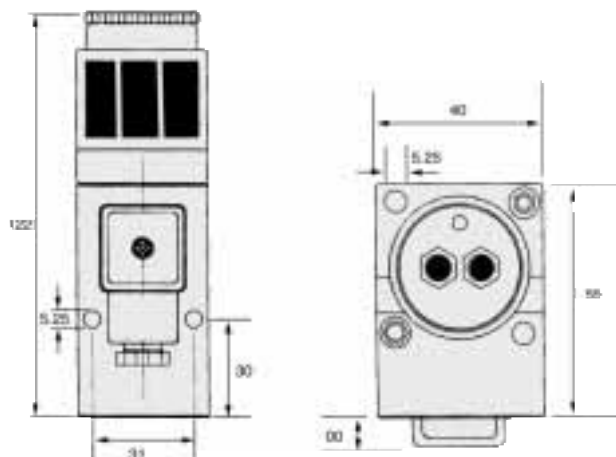
KLV5 electronic pressure switches provide an electrical signal once a preset pressure value is reached. The display mounted on the instrument permits you to see the continuous working pressure as a manometer and the set values in the programming time. Maximum and minimum set points are found by activating the two buttons on top of the instrument



TECHNICAL FEATURES

BODY	=	ANODISED ALUMINIUM
		316 STAINLESS STEEL PROCESS FITTING
CONNECTION	=	1/4" BSP FEMALE OR CETOP MANIFOLD
MOUNTING	=	ANY ORIENTATION
TEMP. RANGE	=	-2 TO +80°C
FREQUENCY	=	200 CYCLES/MIN
ACCURACY	=	0.6% OF SET PRESSURE
ADJUSTABLE HYSTERESIS	=	2% – 95% OF SET VALUE
WEIGHT	=	0.45kg
ELECTRICAL FEATURES		M2 (DIN PLUG)
POWER SUPPLY	=	15/30VDC - 12vDC ON REQUEST
ELECTRICAL CONNECTION	=	DIN 43650
WEATHERPROOF	=	IP65
MAX. CONTACT LOAD	=	2A
CONSUMPTION	=	20mA
MEMORY	=	EEPROM

DIMENSIONS



IDENT		KLV50	KLV51	KLV52	KLV53	KLV54	KLV55	KLV59				
ADJUSTABLE PRESSURE RANGE	BAR	0>2	0>10	0>20	0>50	0>100	0>200	0>400				
MAX PRESSURE	BAR	7	25	50	120	250	500	600				