

# NEMA Full Voltage Power Devices

## NEMA Rated Full Voltage Starters - Manual

### CR101H, CR101Y

## Section 1

Single-Phase

1 Hp Maximum @ 115V or 230V

3/4 Hp Maximum @ 277V for 2-pole Forms

25-60 Hz

The CR101H and CR101Y manual motor starters provide dependable overload protection for single-phase motors up to one horsepower (115 or 230 Volts), and are the most economical starter choices where undervoltage protection is not required.

CR1062 series of manual starters are designed for infrequent starting of single-phase and polyphase motors up to ten horsepower on applications where they can be directly operated.



#### Application

Designed for starting and stopping single-phase motors up to 10 HP. These manual starters have provision for overload protection and their low cost provides economical starter selection for applications where no undervoltage protection is required. This line of starters may be used on such equipment as grinders, conveyors, fans, mixers, and blowers.



Open Starter

#### Features

- Terminal design; box terminals provide easy access for wiring.
- Molded plastic switch housing; protects starter mechanism.
- Small size; open starter fits GEM™ or handy box.

#### Product Number Selection Instructions

Order starter by complete product number and specify overload heater as a separate item by complete product number.

#### Examples:

1. A general-purpose enclosed starter for surface wall mounting is desired. The starter is to break both lines. Motor to be started with this device has a full-load current of 0.6 Ampere.  
Order:  
1 CR101H1 manual motor starter at **\$45.00 each, GO-10G3**.  
1 CR123H074A heater at **\$6.00 each, GO-10G3**.
2. The complete combination surface-mounted station, CR101H12, may also be ordered by components, e.g. order 1-CR101X10 flush plate, at **\$71.00 each, GO-10G3**; 1-CR101X14 box at **\$6.00 each, GO-10G3**; and 1-CR101H manual starter at **\$39.00 each, GO-10G3**. The other complete general-purpose manual starters may be broken down in this manner.



Manual Starter in NEMA Type 1 General Purpose Enclosure

#### NEMA Rated Full Voltage Manual Starters - Contents

Application Information and Selection Instructions (CR101H, CR101Y).....	1-162
Non-combination, Single Phase.....	1-163
Enclosure Components.....	1-164
Outlines and Dimensions (CR101H, CR101Y).....	1-165
Application Information and Selection Instructions (CR1062).....	1-166
Single-Phase and Polyphase.....	1-167
Outlines and Dimensions (CR1062).....	1-169
Manual Starter Heaters for Single-phase and Polyphase.....	1-170



NEMA Type 4 Water- and Dust-Tight Manual Starter



# NEMA Full Voltage Power Devices NEMA Rated Full Voltage Starters - Manual

## Section 1

### CR101H, CR101Y

Single-Phase

Non-combination

1 HP Maximum at 115 or 230 Volts

3/4 HP Maximum at 277 Volts for 2 pole forms

25 to 60 Hz

#### CR101H, CR101Y

Open starters include an unmounted nameplate. List prices do not include heater(s). Heaters can be selected from the table at right and ordered as a separate item at **\$6.00 each, GO-10H**. One heater is required per starter (two for 2-speed forms and for combination starter CR101H13).

#### Toggle-Operated Nonreversing Open<sup>1</sup>

No. of Poles	Product Number	List Price GO-10G3
1	CR101Y <sup>2</sup>	\$33.00
2	CR101H <sup>2</sup>	\$39.00

<sup>1</sup>For flush or outlet box mounting.

<sup>2</sup>Units are individually boxed and "Poly-Packed" 10 per carton as standard.

#### Toggle-Operated Nonreversing Enclosed NEMA Type 1<sup>3</sup>

No. of Poles	Indicating Light	Product Number	List Price GO-10G3
1	No	CR101Y1 <sup>2</sup>	\$39.00
2	No	CR101H1 <sup>2</sup>	\$45.00
1	Yes	CR101Y11 <sup>4</sup>	\$57.00
2	Yes	CR101H11 <sup>4</sup>	\$63.00

<sup>2</sup>Units are individually boxed and "Poly-Packed" 10 per carton as standard.

<sup>3</sup>Surface mounting.

<sup>4</sup>Includes a 115/230-Volt neon lamp(s). Not available at 277 Volts.

#### Lever-Operated Nonreversing Enclosed NEMA Type 3/4/12

No. of Poles	Hubs	Product Number	List Price GO-10G3
1	3/4-inch Hub on One End	CR101V400H	\$138.00
2	3/4-inch Hub on One End	CR101H400H	\$144.00
1	3/4-inch Hub on Both Ends	CR101V400J	\$150.00
2	3/4-inch Hub on Both Ends	CR101H400J	\$156.00

#### Multi-speed Enclosed NEMA Type 1 Surface Mount

No. of Poles	Indicating Light	Product Number	List Price GO-10G3
1	None	CR101V600e	\$172.00
1	Two	CR101V610e <sup>4</sup>	\$255.00
2	None	CR101H600e	\$187.00
2	Two	CR101H610e <sup>4</sup>	\$270.00

<sup>4</sup>Includes a 115/230-Volt neon lamp(s). Not available at 277 Volts.

#### Multi-speed Enclosed NEMA Type 1 Gray Flush-Plate

No. of Poles	Indicating Light	Product Number	List Price GO-10G3
1	None	CR101V600A	\$165.00
1	Two	CR101V610A <sup>4</sup>	\$247.00
2	None	CR101H600A	\$180.00
2	Two	CR101H610A <sup>4</sup>	\$262.00

<sup>4</sup>Includes a 115/230-Volt neon lamp(s). Not available at 277 Volts.

#### Multi-speed Enclosed NEMA Type 1 Stainless-Steel Flush-Plate

No. of Poles	Indicating Light	Product Number	List Price GO-10G3
1	None	CR101V608A	\$172.00
1	Two	CR101V618A <sup>4</sup>	\$255.00
2	None	CR101H608A	\$187.00
2	Two	CR101H618A <sup>4</sup>	\$270.00

<sup>4</sup>Includes a 115/230-Volt neon lamp(s). Not available at 277 Volts.

#### Combination Device Enclosed NEMA Type 1

No. of Poles	Description	Product Number	List Price GO-10G3
2	CR101H + Base Unit HOA	CR101H12	\$102.00
2	2 (CR101H)	CR101H13	\$108.00

#### Overload Heater Units for CR101H, Y

All CR123H heaters are packaged as single units.

Product Number	List Price Each, GO-10H
CR123H (all)	\$6.00

The table below gives a proper size heater to trip the switch on approximately 125 percent motor current.

Listed values are for motors with 1.15-1.25 service factor. For motors with 1.0 service factor continuously, multiply full-load current of motor by 0.9 and use this value to select heater. Contact nearest GE Representative for recommendation on heaters to be used with definite-purpose motors. If motor full-load Amperes falls between two ratings, select heater for the highest of those two.

For 1.35 service factor motors, multiply full-load current of motor by 1.15 and use this value to select heater(s).

Maximum Motor Full-Load Amperes	Heater Product Number
48	CR123H055A
53	CR123H061A
58	CR123H067A
65	CR123H074A
71	CR123H082A
78	CR123H090A
86	CR123H099A
95	CR123H108A
104	CR123H120A
114	CR123H132A
125	CR123H144A
137	CR123H158A
149	CR123H172A
163	CR123H188A
178	CR123H205A
195	CR123H224A
213	CR123H245A
232	CR123H267A
253	CR123H291A
276	CR123H317A
301	CR123H346A
327	CR123H377A
356	CR123H410A
388	CR123H446A
422	CR123H486A
460	CR123H529A
500	CR123H575A
543	CR123H625A
590	CR123H680A
641	CR123H739A
698	CR123H802A
760	CR123H873A
825	CR123H950A
895	CR123H1038
975	CR123H1128
106	CR123H1228
114	CR123H1328
125	CR123H1448
136	CR123H1578
148	CR123H1718
160	CR123H1868

#### Maximum Horsepower Ratings-AC or DC

##### Continuous Carry-16 Amperes

Product Number	No. of Poles	Horsepower @ 32V AC	Horsepower @ 115V AC	Horsepower @ 230V AC	Horsepower @ 277V AC	Horsepower @ 115V DC	Horsepower @ 230V DC
CR101Y	1	1/4	1	1	—	1	1/4
CR101H	2	1/4	1	1	3/4	1	1



# NEMA Full Voltage Power Devices

## NEMA Rated Full Voltage Starters - Manual

### CR101H, CR101Y

#### Enclosure Components

##### Enclosure Components - Single Units

Flush plates painted gray or of stainless steel are available for flush mounting of all listed open manual starters.

Safety to maintenance personnel and operators and security to equipment is provided by locking attachment, CR101X3, for use on all toggle-operated manual starter forms.

Customers can assemble CR101H1, H11, Y1, or Y11 general-purpose manual starters by adding either an open CR101H or Y manual starter to a CR101X6 back and a CR101X4 or X5 cover.

Product Description	Product Number	List Price GO-10G3
Flush plate with 115/230-Volt indicating light and screws	CR101X1	\$21.00
Standard flush plate with screws	CR101X2	\$3.00
Locking attachment (lock not included)	CR101X3	\$6.00
Cover (front with 115/230-Volt neon indicating light and screws)	CR101X4	\$21.00
Standard cover (front with screws)	CR101X5	\$3.00
Enclosure back with screws (surface-mounting)	CR101X6	\$3.00
Stainless-steel flush plate with 115/230-Volt indicating light and screws	CR101X7	\$24.00
Stainless-steel flush plate with screws	CR101X8	\$6.00

##### Combination Plates and Box

Customer convenience and flexibility is made possible by the availability of combination flush plates. These plates may be used flush mounted with a CR101X14 or other 2-1/2-inch deep, two gang boxes to make a general-purpose surface-mounted installation. Open manual starters must be ordered separately.

Product Description	Product Number	List Price GO-10G3
Combination flush plate with HAND-AUTO switch	CR101X10	\$71.00
Combination flush plate with HAND-AUTO switch and 115/230-Volt neon indicating light	CR101X11	\$84.00
Combination flush plate for 2-CR101 open starters	CR101X12	\$30.00
Combination flush plate for 2-CR101 open starters with 2-115/230-Volt neon indicating lights	CR101X13	\$60.00
Box (back) for combination forms	CR101X14	\$6.00

## Section 1



CR101X4 Enclosure Components



CR101X6 Enclosure Components



CR101X8 and CR101X7  
Stainless Steel Flush Plates



CR101X11 Enclosure Components



CR101X3 Locking Attachment



CR101X14 Combination Flush Plate  
and Box (Back)

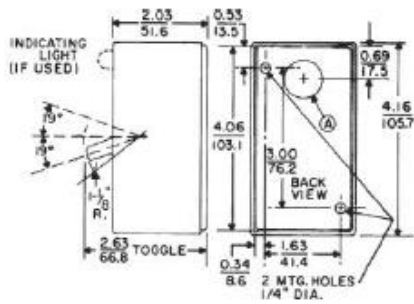


Product Number Selection Instructions: See page 1-162

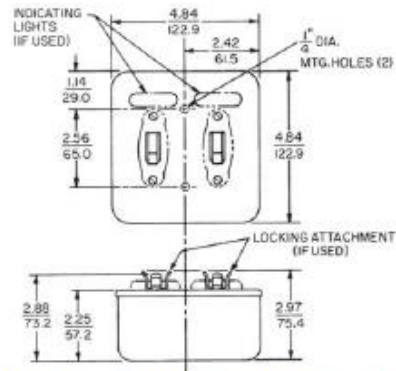
# NEMA Full Voltage Power Devices NEMA Rated Full Voltage Starters - Manual CR101H, CR101Y

## Section 1

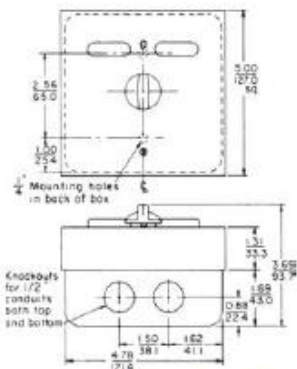
CR101 Open, Types 1, 4  
Outlines and Dimensions (mm), and Weights (For Estimating Only)



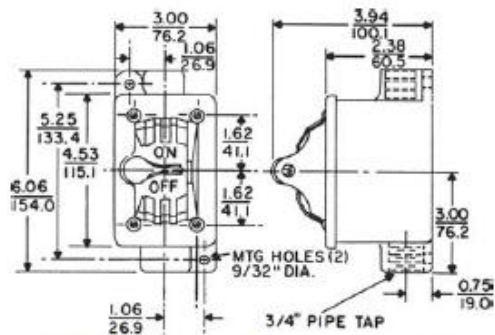
CR101 Manual Starter in Type 1 Enclosure, 2 lbs.



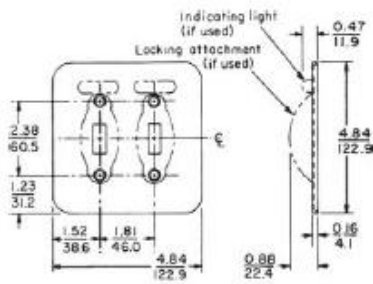
CR101H12 or CR101X13 Combination Starter, 4 lbs.



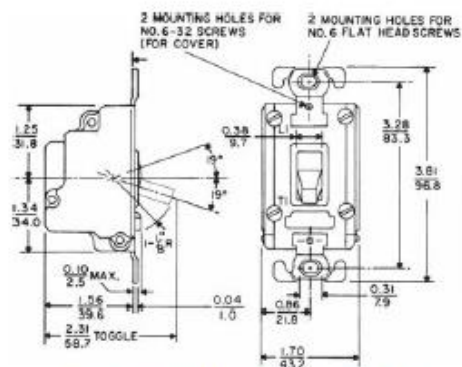
CR101 Two-Speed Manual Starter in Type 1 Enclosure, 3 lbs.



CR101 Manual Starter in Type 4 Enclosure, 4 lbs.



CR101X12 or CR101X13 Combination Flush Plate, 1 lb.



CR101 Manual Starter, Open Type, 1 lb.

