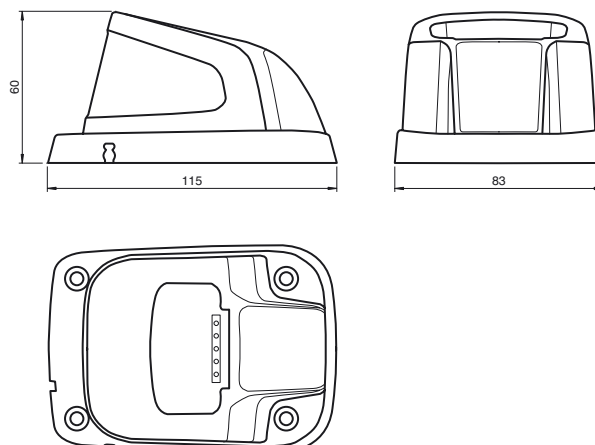




Dimensions



Model Number

OHV-CHARGER

Charger for OHV200

Function

The OHV-CHARGER-B15 charger allows you to charge the OHV200* handheld. The charger also includes a mini USB connection for transferring data.

Accessories

USB-G-1M-PVC-ABG-USBB-G

ODZ-MAH-SUPPLY

Power supply

ODZ-MAH-5V-110V

Power supply

Technical data

Indicators/operating means

Operating display	LED green
-------------------	-----------

Electrical specifications

Operating voltage	U_B	5 V DC
Operating current		max. 1 A

Interface

Physical	Mini USB
----------	----------

Output

Output rated operating current	400 ... 1200 mA
Output voltage	5 V DC pulsing

Ambient conditions

Ambient temperature	-20 ... 55 °C (-4 ... 131 °F)
Storage temperature	-30 ... 65 °C (-22 ... 149 °F)

Mechanical specifications

Connection	Supply voltage: 5.5 mm hollow socket Interface : Mini USB
Mass	approx. 129 g
Dimensions	115 mm x 83 mm x 60 mm