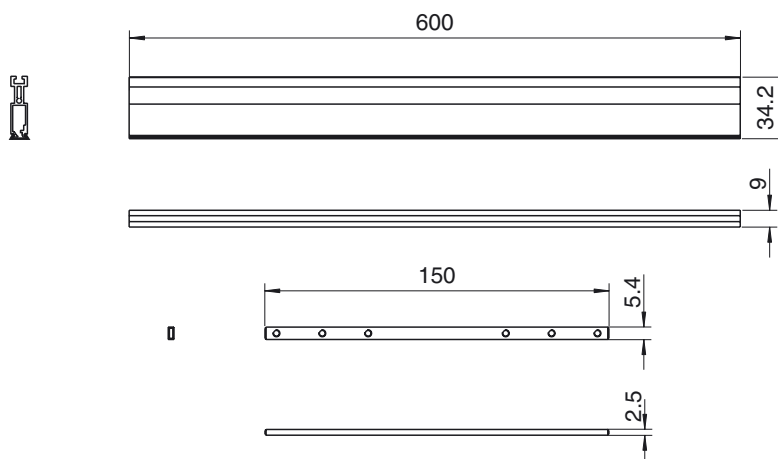




Dimensions



Model number

Mounting Set AL2109 extension

Mounting aid

Features

- Mounting set for mechanical extension of the elevator light curtains AL2109
- Variety of possible uses in the areas of doors and elevators
- Simple and fast mounting

Mechanical profile extension for elevator light curtains AL2109

Technical data

Mechanical specifications

Length of housing L	600 mm
Material	Aluminium housing
Mass	approx. 400 g
Mounting	Mounting accessories included

Suitable series

Series TTA	AL21
------------	------

Installation instructions

