



Model Number

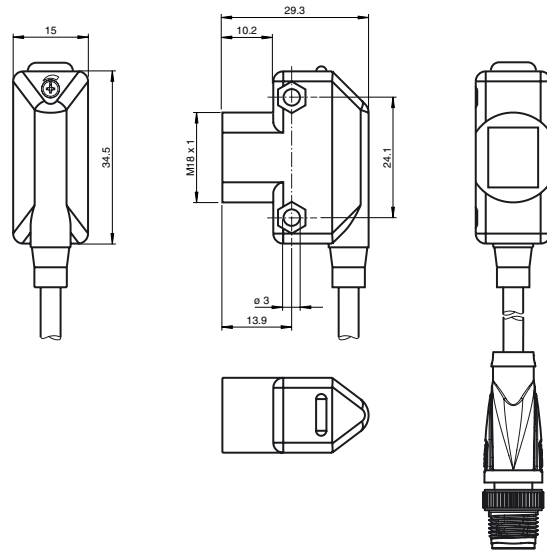
ML17-8-450/115b/120

Diffuse mode sensor
with fixed cable and M12 connector, 4-pin

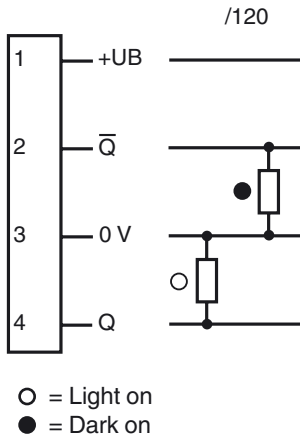
Features

- Compact, versatile housing
- 360° high visibility LEDs
- Adjustable sensing range
- Front mounting with M18-threads or side mounting holes

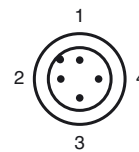
Dimensions



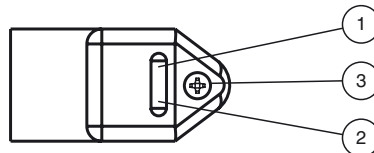
Electrical connection



Pinout



Indicators/operating means



1	Signal display	yellow
2	Operating display	green
3	Sensitivity adjustment	

Release date: 2014-08-04 14:04 Date of issue: 2014-08-04 908637_eng.xml

Refer to "General Notes Relating to Pepperl+Fuchs Product Information".

Pepperl+Fuchs Group
www.pepperl-fuchs.com

USA: +1 330 486 0001
fa-info@us.pepperl-fuchs.com

Germany: +49 621 776 4411
fa-info@de.pepperl-fuchs.com

Singapore: +65 6779 9091
fa-info@sg.pepperl-fuchs.com

Technical data**General specifications**

Detection range	10 ... 450 mm
Adjustment range	60 ... 450 mm
Reference target	standard white, 100 mm x 100 mm
Light source	IREL
Light type	modulated infrared light , 950 nm
Ambient light limit	≤ 10000 Lux

Indicators/operating means

Operation indicator	LED green
Function indicator	LED yellow, lights up with receiver lit
Control elements	Detection range adjuster

Electrical specifications

Operating voltage	U_B	10 ... 30 V DC , class 2
Ripple		max. 10 %
No-load supply current	I_0	< 25 mA
Time delay before availability	t_v	≤ 200 ms

Output

Switching type	light/dark on	
Signal output	2 PNP, short-circuit protected, reverse polarity protected	
Switching voltage	max. 30 V DC	
Switching current	max. 100 mA per output	
Voltage drop	U_d	≤ 2 V DC
Switching frequency	f	500 Hz
Response time		≤ 1 ms

Ambient conditions

Ambient temperature	-20 ... 55 °C (-4 ... 131 °F)
Storage temperature	-40 ... 75 °C (-40 ... 167 °F)

Mechanical specifications

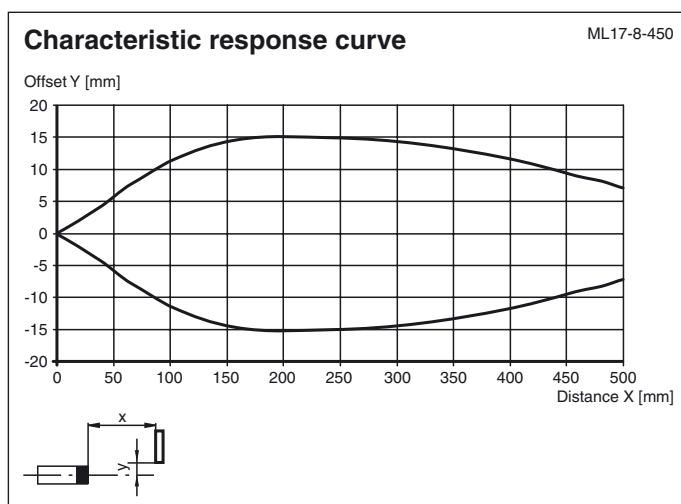
Degree of protection	IP67
Connection	150 mm PVC cable with 4-pin, M12 connector
Material	
Housing	ABS
Optical face	Acrylic
Mass	approx. 23 g

Compliance with standards and directives

Standard conformity	
Product standard	EN 60947-5-2:2007 IEC 60947-5-2:2007

Approvals and certificates

UL approval	cULus
CCC approval	CCC approval / marking not required for products rated ≤36 V

Curves/Diagrams**Accessories**

OMH-ML17-EZ
Mounting bracket

OMH-ML17
Mounting bracket

OMH-ML17-1
Mounting bracket

V1-G-2M-PUR
Female cordset, M12, 4-pin, PUR cable

V1-W-2M-PUR
Female cordset, M12, 4-pin, PUR cable

Additional accessories can be found in the Internet.

