



Model Number

OHV200-F221-B15

Handheld reader with bluetooth for all standard 1D and 2D codes

Features

- All common 1D or 2D codes can be read
- Wireless Bluetooth connection
- Dual lens for large read range
- Reads from reflective surfaces
- Programmable with JavaScript
- Batch mode for collecting data on the handheld
- Audible, tactile, and visual user feedback
- Replaceable battery with status indicator
- Degree of protection IP65

Function

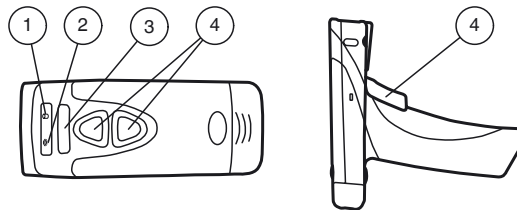
The OHV200-F221 handheld with handle is an innovative, compact Handheld for all common 1-D and 2-D codes. Thanks to its patented dual lens and a resolution of 1.2 million pixels, it reliably reads both small and large codes in a large range of distances. New technology to prevent glare even allows it to accurately read codes on reflective surfaces. A different-colored target projection makes it easier to see the relevant code. A visual or audible signal, or a vibration, indicates that a code has been read successfully.

The OHV200 has JavaScript capability, which means that it can be adapted to all common programs and that individual applications can be displayed on the handheld without using an external PC.

The OHV200 includes a Bluetooth transmitter as standard. Data can be transferred to a PC securely and wirelessly using a Bluetooth modem. The Bluetooth adapter is available as a modem (ODZ-MAH-B15-M3) or as a charger with built-in Bluetooth modem (OHV-CHARGER-B15). It is possible to collect data on this handheld using batch mode. The data can then be transferred to the relevant PC via Bluetooth at a later time. Data can also be transferred to a PC without Bluetooth, via USB using the charger without built-in Bluetooth modem (OHV-CHARGER).

USB or RS 232 interfaces are available as standard, depending on which connection cable is selected. Thanks to its robust housing and IP65 degree of protection, this handheld is ideally suited to heavy-duty industrial use.

Indicating / Operating means



1	Memory access	Green
2	Bluetooth	Green
3	Function indicator	Green
4	Trigger buttons	

Technical data**General specifications**

Light type	Integrated LED lightning (red)
Readable codes	1D: Australian Post, Codabar, Code 11, Code 32, Code 39, Code 93, Code 128, GS1 DataBar, Hong Kong 2 of 5, Int 2 of 5, Intelligent Mail, Japan Post, KIX Code, Matrix 2 of 5, MSI Plessey, NEC 2 of 5, Pharmacode, PLANET, Plessey, POSTNET, Straight 2 of 5, Telepen, Trioptic, UK Royal Mail, UPC/EAN/JAN Stacked 1D: Codablock F, GS1 Composite, Micro PDF 417, PDF 417 2D: Aztec, Data Matrix, Han Xin, MaxiCode, Micro QR Code, QR Code
Read distance	40 ... 310 mm depending on the code type
Reading field	max. 190 mm x 290 mm
Modul size	≥ 0.1 mm
Sensor principle	Camera system
Ambient light limit	96890 Lux
Target velocity	Stop

Nominal ratings

Camera	
Type	CMOS
Number of pixels	1280 x 960
Image recording	real-time , manually triggered

Indicators/operating means

Function indicator	3 LEDs
Key	3 programmable function keys

Electrical specifications

Supply	from Li-Ion battery
--------	---------------------

Interface

Physical	Bluetooth , USB 2.0
Transmitter frequency	2402 ... 2480 MHz (Bluetooth)
Transmitter radiated power	1 mW (Bluetooth)

Ambient conditions

Ambient temperature	-20 ... 55 °C (-4 ... 131 °F)
Storage temperature	-30 ... 65 °C (-22 ... 149 °F)
Relative humidity	< 95 % non-condensing
Shock and impact resistance	Withstands multiple drops from 1.8 m / 6 ft onto a concrete surface

Mechanical specifications

Degree of protection	IP65
Material	
Housing	plastic
Mass	approx. 174 g
Dimensions	129.6 mm x 51.3 mm x 134.4 mm (l x w x h)

Compliance with standards and directives

Standard conformity	
Electromagnetic compatibility	ETSI EN 301489-1:V1.9.2 ETSI EN 301489-17:V2.2.1 EN 61000-6-1:2007 EN 61000-6-2:2005/AC:2005 EN 61000-6-3:2007/A1:2011/AC:2012 EN 61000-6-4:2007/A1:2011
Safety	EN 60950-1:2006/A11:2009/A1:2010/A12:2011/AC:2011 EN 62311:2008
Radio spectrum	ETSI EN 300328:V1.7.1
Standards	EN 50581:2012

Accessories**Vision Configurator**

Operating software for camera-based sensors

OHV-BAT

Lithium ion battery, 1300 mAh

OHV-CHARGER

Charger for OHV200

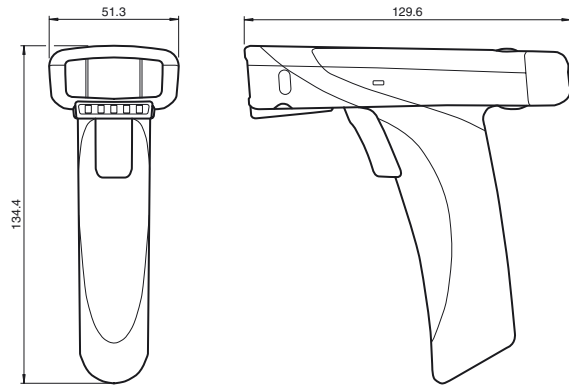
OHV-CHARGER-B15

Charger for OHV200 with built-in Bluetooth modem

Other suitable accessories can be found at www.pepperl-fuchs.com



Dimensions



Release date: 2014-11-06 17:12 Date of issue: 2014-11-06 252718_eng.xml

Refer to "General Notes Relating to Pepperl+Fuchs Product Information".

Pepperl+Fuchs Group
www.pepperl-fuchs.com

USA: +1 330 486 0001
fa-info@us.pepperl-fuchs.com

Germany: +49 621 776 4411
fa-info@de.pepperl-fuchs.com

Singapore: +65 6779 9091
fa-info@sg.pepperl-fuchs.com