



### Model Number

NJ15+U4+W-BHMS3-N.O.

### Features

- 2-wire AC
- Surface mount
- Sensing range 15 mm

## Technical Data

### General specifications

Switching element function		AC	NO
Rated operating distance	$s_n$	15 mm	
Installation		non-flush	
Output polarity		AC	
Assured operating distance	$s_a$	0 ... 12.15 mm	
Reduction factor $r_{Al}$		0.35	
Reduction factor $r_{Cu}$		0.35	
Reduction factor $r_{304}$		0.8	

### Nominal ratings

Operating voltage	$U_B$	20 ... 253 V <sup>1)</sup>
Switching frequency	$f$	0 ... 20 Hz
Hysteresis	$H$	1 ... 10 typ. 5 %
Voltage drop	$U_d$	≤ 12 V
Momentary current (20 ms, 0.1 Hz)		0 ... 3000 mA
Operating current	$I_L$	8 ... 500 mA
Off-state current	$I_r$	0.5 ... 1.95 mA typ. 1.2 mA
Time delay before availability	$t_v$	≤ 70 ms
Operating voltage indicator		LED, green
Switching state indicator		LED, yellow

### Ambient conditions

Ambient temperature	-25 ... 70 °C (-13 ... 158 °F)
Storage temperature	-25 ... 85 °C (-13 ... 185 °F)

### Mechanical specifications

Connection type	Quick disconnect type BHMS3
Housing material	PBT
Sensing face	PBT
Housing base	metal
Protection degree	IP68
Note	<sup>1)</sup> In the temperature range below 0 °C, permissible operating voltage $U_b$ 80...253 V

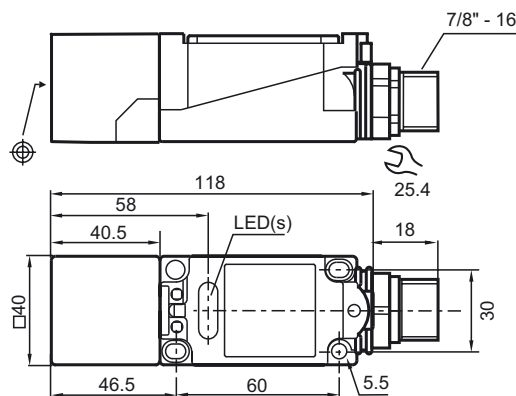
### Compliance with standards and directives

Standard conformity	
Standards	EN 60947-5-2:2007 IEC 60947-5-2:2007

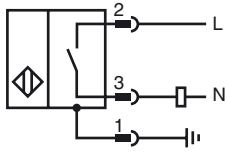
### Approvals and certificates

UL approval	cULus Listed, General Purpose
CSA approval	cCSAus Listed, General Purpose
CCC approval	Certified by China Compulsory Certification (CCC)

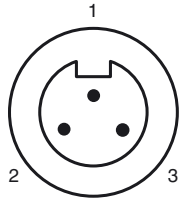
## Dimensions



Electrical Connection



Pinout



Wire colors

1	GN	(green)
2	BK	(black)
3	WH	(white)