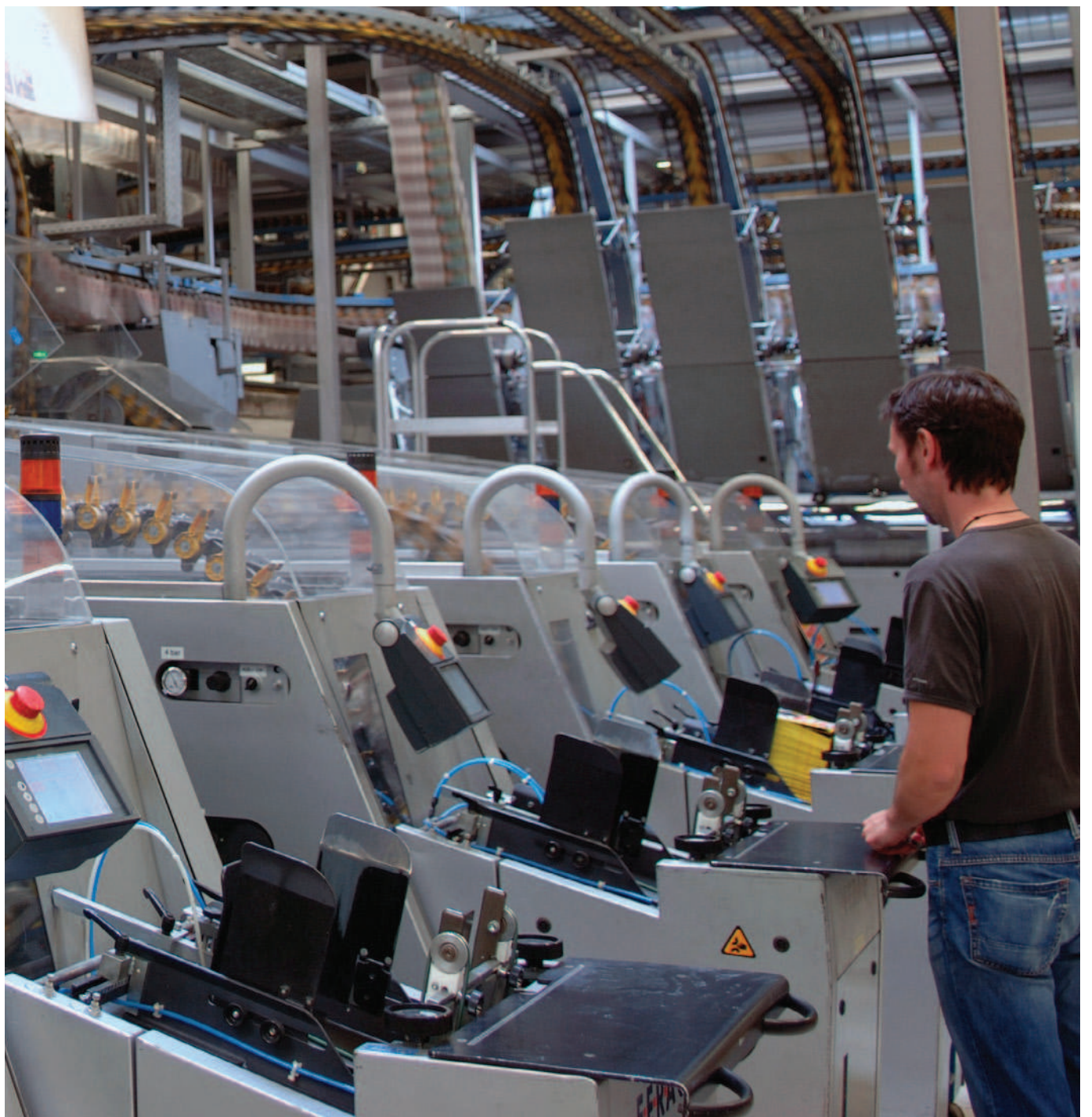




P17 TEMPRA PRO

RELIABLY VERSATILE....



Following the success of P17 Tempra, Legrand's new P17 Tempra Pro range of LV 16 and 32A plugs and sockets offers improved strength, safety and a wealth of design features that add simplicity and speed to the installation process. Every aspect of the new P17 Tempra Pro range has been designed with the user in mind.

SAFE AND SOUND

Manufactured from polyamide 6 which boasts high chemical resistance and IK09 impact rating, P17 Tempra Pro is no amateur. And with its impressive temperature resistance qualities and choice of IP44 and IP66/67 protection options, the range is suited to most internal and external applications.



PANEL MOUNTING SOCKETS

CURRENT RATING - 16A, 32A, 63A, 125A
 VOLTAGES - 100 - 415V
 PIN CONFIG - 2P+E, 3P+E, 3P+N+E
 IP RATING - IP44, IP66/67



SURFACE MOUNTING SOCKETS

CURRENT RATING - 16A, 32A, 63A, 125A
 VOLTAGES - 100 - 415V
 PIN CONFIG - 2P+E, 3P+E, 3P+N+E
 IP RATING - IP44, IP66/67



MOBILE SOCKETS AND STRAIGHT PLUGS

CURRENT RATING - 16A, 32A, 63A, 125A
 VOLTAGES - 100 - 415V
 PIN CONFIG - 2P+E, 3P+E, 3P+N+E
 IP RATING - IP44, IP66/67



APPLIANCE INLETS

CURRENT RATING - 16A, 32A, 63A, 125A
 VOLTAGES - 100 - 415V
 PIN CONFIG - 2P+E, 3P+E, 3P+N+E
 IP RATING - IP44, IP66/67

TECHNICAL DATA

APPROVALS:

BS EN 60309-1, BS EN 60309-2,
 BS EN 60529 (IP), BS EN 62262 (IK)

PROTECTION:

IP44 and IP66/67-55 ranges available
 IK09

SELF EXTINGUISHING:

850°C for insulated parts, 650°C for housing

OPERATING TEMPERATURE:

-25°C to +40°C





P17 TEMPRA PRO

The new P17 Tempra Pro range has been subject to extensive research to ensure its new ergonomic design not only looks the part but makes life easier for the user. Reliable cable connections are easily created in an optimised wiring space which is protected by a robust exterior that performs well in a wide variety of environments.



Surface mounting sockets

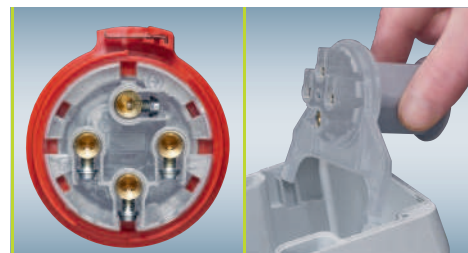


EASY FIXING

Stainless steel captive screws with mixed head (for cross or flat screwdriver) form a strong seal and provide corrosion resistance

CABLE ENTRY

Back boxes have 4 threaded, sealed cable entries on the top and bottom edge and marking on the back for ISO cable glands or conduit

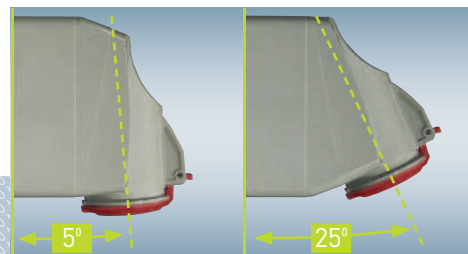


ONE SCREW

A single captive PZ 2 screw, per terminal for simple and easy connections

EASY REMOVAL

Remove active parts from the base for easier wiring and to change the angle of the socket

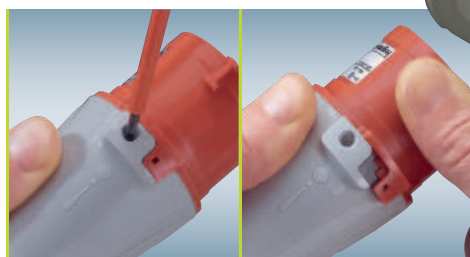
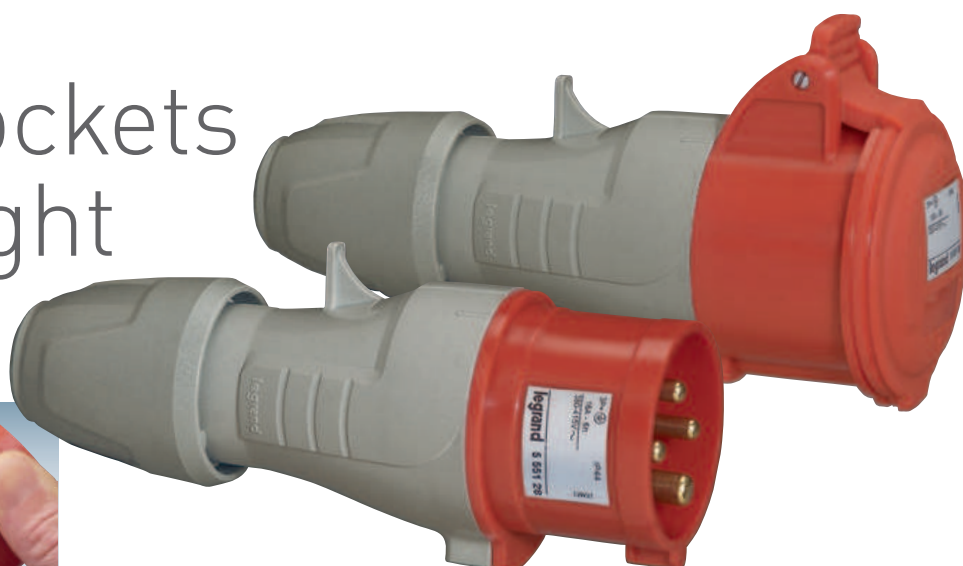


TWO MOUNTING POSITIONS

To solve the problem of limited space, surface mounting sockets offer 2 different mounting positions (5° or 25°) which allow users to adapt to the space available without changing the box

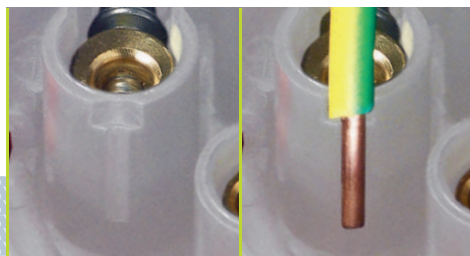


Mobile sockets and straight plugs



QUICK OPENING / CLOSING SYSTEM

Unlock by pressing with a screwdriver. Marking indicates the location for the locking clip. Open by turning the two parts in opposite directions



CABLE STRIPPING

Marking allows the user to see quickly the length of cable to be stripped. Option of using cables with ferrules

Innovative design and quality construction make P17 Tempra Pro ideal for a wide variety of applications

WATCH THE P17 TEMPRA PRO VIDEO AT:
[YOUTUBE.COM/LEGRANDTVUK](https://www.youtube.com/legrandtvuk)

P 17 Tempra Pro IP 44 - LV 16 and 32 A

selection chart

<p>Conform to : BS EN 60309-1, IEC 60309-1, BS EN 60309-2 and IEC 60309-2 IP 44 according to BS EN 60529 and IEC 60529 IK 09 according to BS EN 62262 and IEC 62262 Material : polyamide 6 or plastic (see p. 179 for details) Self-extinguishing : 850 °C (support of active parts) / 650 °C (plastic housing)</p> <p> Technical information and dimensions p. 180-181</p>			FUNCTIONS					
			PANEL MOUNTING SOCKETS INCLINED OUTLET	PANEL MOUNTING SOCKETS STRAIGHT OUTLET	SURFACE MOUNTING SOCKETS	MOBILE SOCKETS	STRAIGHT PLUGS	APPLIANCE INLETS
LV								
100 to 130 V 50/60 Hz	16 A	2 P + \perp	5551 81	0573 51 ²	5551 51	5551 01	5551 21	0575 81 ¹
	32 A	2 P + \perp	5552 81	–	5552 51	5552 11	5552 31	0582 81 ¹
200 to 250 V 50/60 Hz	16 A	2 P + \perp	5551 84	0573 54 ²	5551 54	5551 04	5551 24	0575 84 ¹
	32 A	2 P + \perp	5552 84	0580 54 ²	5552 54	5552 14	5552 34	0582 84 ¹
380 to 415 V 50/60 Hz	16 A	3 P + \perp	5551 88	0573 58 ²	5551 58	5551 08	5551 28	0575 88 ¹
		3 P + N + \perp	5551 89	0573 59 ²	5551 59	5551 09	5551 29	0575 89 ¹
	32 A	3 P + \perp	5552 88	0580 58 ²	5552 58	5552 18	5552 38	0582 88 ¹
		3 P + N + \perp	5552 89	0580 59 ²	5552 59	5552 19	5552 39	0582 89 ¹

1 : Appliance inlet covers not supplied, see p. 179 2 : Panel mounting sockets (straight outlet) and appliance inlets are P17 Tempra items which are manufactured from plastic
For pack quantities, see p. 179

ADAPTOR

Conform to BS EN 60309-1,
BS EN 60309-2, IEC 60309-1
and IEC 60309-2
Self-extinguishing : 850 °C
Temp. rating : -15 °C to +40 °C

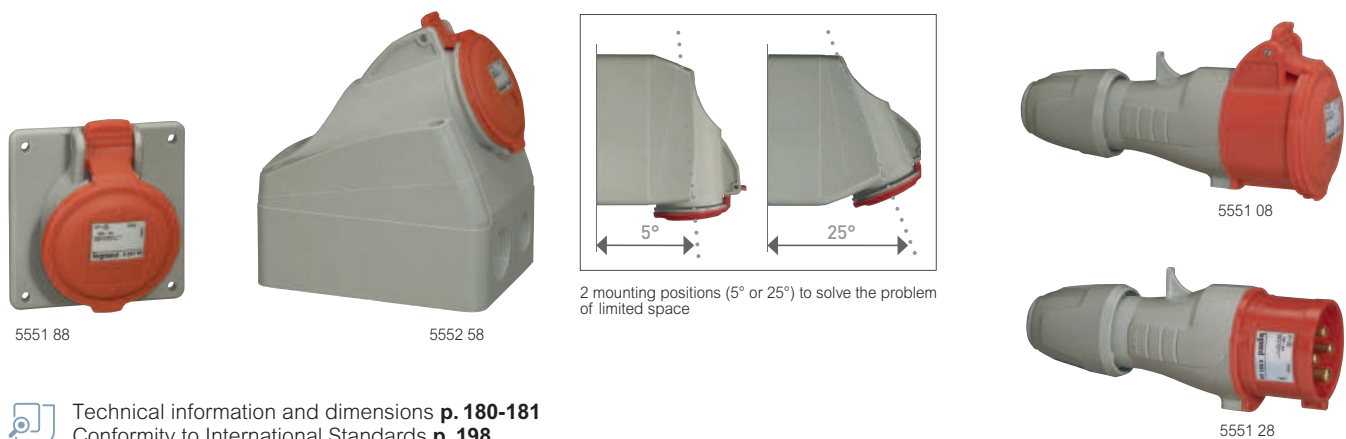
Dimensions
p. 181

16 A – 230 V

	Pack	Cat. No.
IEC 2 P + \perp plug – 13 A 2 P + \perp B.S. socket	10	0521 01

P 17 Tempra Pro IP 44 - LV 16 and 32 A

sockets, mobile sockets, plugs and appliance inlets



2 mounting positions (5° or 25°) to solve the problem of limited space

Technical information and dimensions **p. 180-181**
 Conformity to International Standards **p. 198**

Conform to BS EN 60309-1, IEC 60309-1, BS EN 60309-2 and IEC 60309-2
 IP 44 according to BS EN 60529 and IEC 60529
 IK 09 according to BS EN 62262 and IEC 62262
 Material : polyamide 6 or plastic (see below)
 Self-extinguishing : 850 °C (support of active parts) / 650 °C (plastic housing)

Pack	Cat. Nos.	Panel mounting sockets inclined outlet	Pack	Cat. Nos.	Mobile sockets
		NEW Material : polyamide 6 Can be fixed on plain faceplates or pre-drilled (p. 195)			NEW Material : polyamide 6 Cable clamping and closing without screws Supplied unlocked
		IP 44			IP 44
		16 A 32 A			16 A 32 A
5	5551 81 5552 81	100/130 V~ 2 P + ⊥	10 5	5551 01 5552 11	100/130 V~ 2 P + ⊥
10	5551 84 5552 84	200/250 V~ 2 P + ⊥	10	5551 04 5552 14	200/250 V~ 2 P + ⊥
10	5551 88 5552 88	380/415 V~ 3 P + ⊥	10	5551 08 5552 18	380/415 V~ 3 P + ⊥
10	5551 89 5552 89	3 P + N + ⊥	10	5551 09 5552 19	3 P + N + ⊥
		Panel mounting sockets straight outlet small flange¹ Material : plastic Can be fixed only on plain faceplates Cat. No. 0577 15 (p. 195)			Straight plugs Material : polyamide 6 Cable clamping and closing without screws Supplied unlocked
		IP 44			IP 44
		16 A 32 A			16 A 32 A
5	0573 51 0580 51	100/130 V~ 2 P + ⊥	10 5	5551 21 5552 31	100/130 V~ 2 P + ⊥
5	0573 54 0580 54	200/250 V~ 2 P + ⊥	10	5551 24 5552 34	200/250 V~ 2 P + ⊥
5	0573 58 0580 58	380/415 V~ 3 P + ⊥	10	5551 28 5552 38	380/415 V~ 3 P + ⊥
5	0573 59 0580 59	3 P + N + ⊥	10	5551 29 5552 39	3 P + N + ⊥
		Surface mounting sockets Material : polyamide 6 Two possible angles (5° or 25°)			Appliance inlets¹ Material : plastic Covers not supplied with product For appliance inlet covers, see below
		IP 44			IP 44
		16 A 32 A			16 A 32 A
5	5551 51 5552 51	100/130 V~ 2 P + ⊥	10	0575 81 0582 81	100/130 V~ 2 P + ⊥
10 5	5551 54 5552 54	200/250 V~ 2 P + ⊥	5	0575 84 0582 84	200/250 V~ 2 P + ⊥
10	5551 58 5552 58	380/415 V~ 3 P + ⊥	5	0575 88 0582 88	380/415 V~ 3 P + ⊥
10	5551 59 5552 59	3 P + N + ⊥	5	0575 89 0582 89	3 P + N + ⊥
		Appliance inlet covers			
		Rubber			
10	0521 25	For plugs and appliance inlets: 2P + ⊥ - 16 A			
5	0521 26	3P + ⊥ - 16 A			
5	0521 27	3P + N + ⊥ - 16 A / 2 P + ⊥ and 3P + ⊥ - 32 A			
5	0527 99	3P + N + ⊥ - 32 A			

¹ : Panel mounting sockets (straight outlet) and appliance inlets are P17 Tempra items which are manufactured from plastic

P 17 Tempra Pro IP 44 - LV 16 and 32 A

sockets and mobile sockets

Technical information

Terminal connection :

- Panel and surface mounting sockets

16 A : max. 1 x 4 mm² rigid

32 A : max. 1 x 10 mm² rigid

- Plugs and mobile sockets:

16 A : max. 1 x 2.5 mm² flexible

32 A : max. 1 x 6 mm² flexible

- Appliance inlets :

16 A : max. 1 x 2.5 mm² rigid

32 A : max. 1 x 6 mm² rigid

IP 44 according to BS EN 60529 and IEC 60529

IK 09 according to BS EN 62262 and IEC 62262

Material : polyamide 6

Self-extinguishing : 850 °C (support of active parts) / 650 °C (plastic housing)

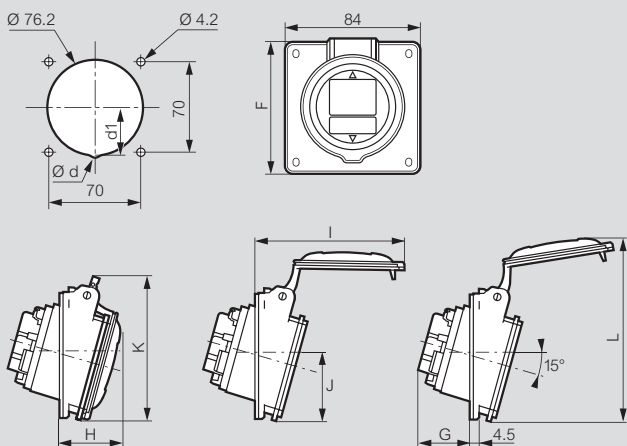
Temp. rating : -25 °C to +40 °C according to IEC 60309-1

Conform to BS EN 60309-1, IEC 60309-1, BS EN 60309-2 and

IEC 60309-2

Dimensions

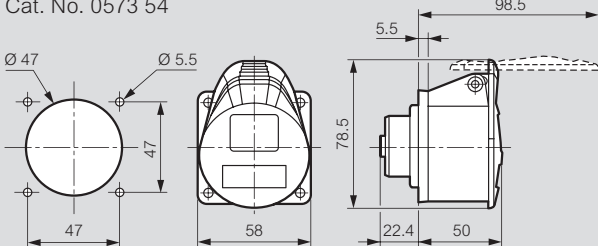
Panel mounting sockets inclined outlet (p. 179)



	Ød	d1	F	G	H	I	J	K	L
LV 16 A									
2P+±	-	-	84	33.5	37.5	85	42	88.5	112.5
3P+±	-	-	84	35.5	38.5	93	42	91.5	118.5
3P+N+±	-	-	84	36.5	39.5	100	43.3	97	123.5
LV 32 A									
2P+±	-	-	94	41.5	45.5	110	47	102	131
3P+±	-	-	94	42.5	46.5	117	47	107.5	138

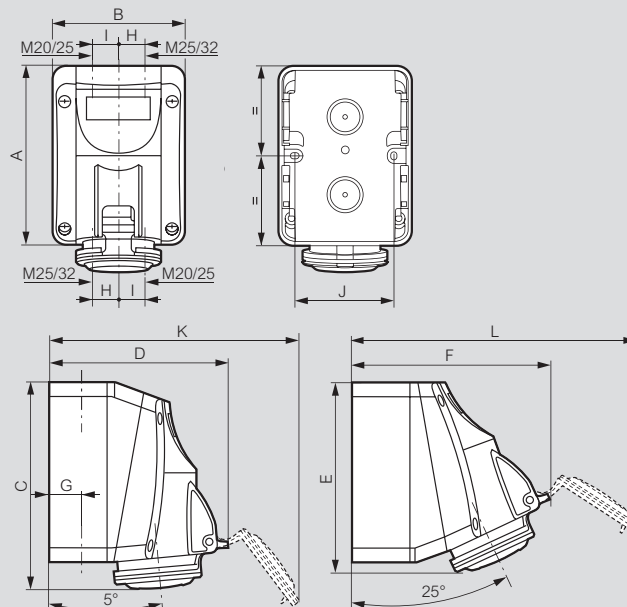
Panel mounting socket straight outlet small flange (p. 179)

Cat. No. 0573 54



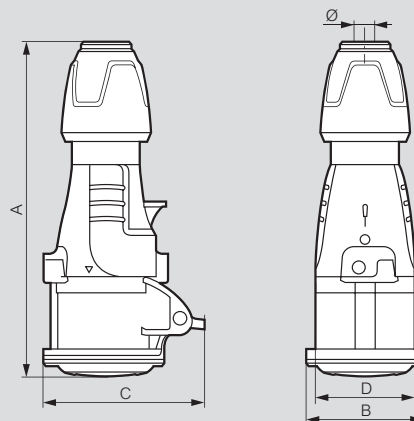
Weight (kg) = 0.105

Surface mounting sockets (p. 179)



	A	B	C	D	E	F	G	H	I	J	K	L
LV 16 A												
2P+±	125	93	147	126	138	139	22	17	20	70	176	195
3P+±	125	93	147	134	138	147	22	17	20	70	190	210
3P+N+±	125	93	147	140	138	153	22	17	20	70	201	221
LV 32 A												
2P+±	150	113	174	156	163	172	28	22	26	90	220	245
3P+±	150	113	174	156	163	172	28	22	26	90	220	245
3P+N+±	150	113	174	162	163	177	28	22	26	90	230	256

Mobile sockets (p. 179)



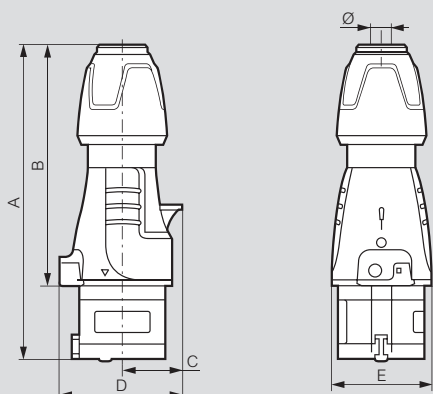
	A	B	C	D	Ø
LV 16 A					
2P+±	156 to 167	59	81	50	6.5 to 14
3P+±	157 to 168	65	88	55	7-10 to 15-5
3P+N+±	175 to 188	72	94	65	8 to 20
LV 32 A					
2P+±	184 to 197	73	99	65	8 to 20
3P+±	184 to 197	73.5	99	65	8 to 20
3P+N+±	190 to 203	79.5	105	71	11.9 to 22.2

P 17 Tempra Pro IP 44 - LV 16 and 32 A

plugs and appliance inlets

■ Dimensions

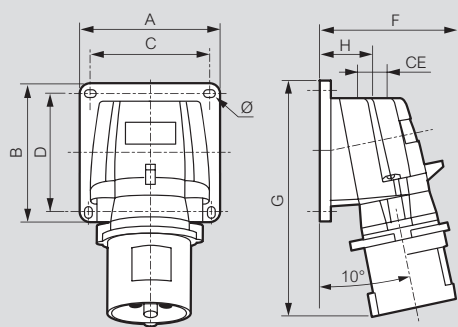
Straight plugs (p. 179)



	A	B	C	D	E	Ø
LV 16 A						
2 P + ⊥	146 to 157	109.5 to 120.5	30	61	50	6.5 to 14
3 P + ⊥	146 to 157	109.5 to 120.5	34	67	55	7.10 to 15.5
3 P + N + ⊥	163 to 176	126.5 to 139.5	38	76	65	8 to 20
LV 32 A						
2 P + ⊥	172 to 185	127 to 140	40	78	65	8 to 20
3 P + ⊥	172 to 185	127 to 140	40	78	65	8 to 20
3 P + N + ⊥	179 to 189	133 to 143	45	86	71	11.9 to 22.2

Appliance inlets (p. 179)

Cat. Nos. 0575 84/88/89 and 0582 84/88/89

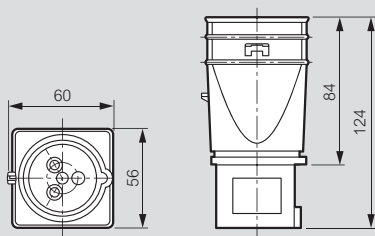


	Weight (kg)	A	B	C	D	F	G	H	CE	Ø
LV 16 A										
2 P + ⊥	0.168	84	84	72	72	77	126	34	M20	4.3
3 P + ⊥	0.232	84	84	72	72	84	134	34	M20	4.3
3 P + N + ⊥	0.256	84	84	72	72	91	141	34	M20	4.3
LV 32 A										
2 P + ⊥	0.325	110	110	98	98	96	168	39	M25	5.3
3 P + ⊥	0.364	110	110	98	98	102	168	39	M25	5.3

Adaptor from IEC to BS (p. 178)


Cat. No. 0521 01

16 A 2 P + ⊥ 230 V plug to 13 A 3 pin BS socket



P 17 Tempra Pro IP 66/67 - LV 16/32/63/125 A


selection chart

Conform to : BS EN 60309-1, IEC 60309-1, BS EN 60309-2 and IEC 60309-2 IP 44 according to BS EN 60529 and IEC 60529 IK 09 according to BS EN 62262 and IEC 62262 Material : polyamide 6 or plastic (see p. 183 for details) Self-extinguishing : 850 °C (support of active parts) / 650 °C (plastic housing)  Technical information and dimensions p. 184-187			FUNCTIONS					
			PANEL MOUNTING SOCKETS	SURFACE MOUNTING SOCKETS	MOBILE SOCKETS	STRAIGHT PLUGS	APPLIANCE INLETS	
LV								
100 to 130 V 50/60 Hz	16 A	2 P + \perp	5553 81	5553 51	5553 01	5553 21	–	
	32 A	2 P + \perp	5554 81	5554 51	–	5554 31	–	
200 to 250 V 50/60 Hz	16 A	2 P + \perp	5553 84	5553 54	5553 04	5553 24	0568 03 ¹	
	32 A	2 P + \perp	5554 84	5554 54	5554 14	5554 34	0568 23 ¹	
	63 A	2 P + \perp	0587 20 ¹	0587 40 ¹	0587 10 ¹	0587 00 ¹	0587 30 ¹	
380 to 415 V 50/60 Hz	16 A	3 P + \perp	5553 88	5553 58	5553 08	5553 28	0568 07 ¹	
		3 P + N + \perp	5553 89	5553 59	5553 09	5553 29	0568 08 ¹	
	32 A	3 P + \perp	5554 88	5554 58	5554 18	5554 38	0568 27 ¹	
		3 P + N + \perp	5554 89	5554 59	5554 19	5554 39	0568 28 ¹	
	63 A	3 P + \perp	0587 24 ¹	0587 44 ¹	0587 14 ¹	0587 04 ¹	0587 34 ¹	
		3 P + N + \perp	0587 25 ¹	0587 45 ¹	0587 15 ¹	0587 05 ¹	0587 35 ¹	
	125 A	3 P + N + \perp	0591 17 ¹	0591 07 ¹	0591 37 ¹	0591 27 ¹	0591 47 ¹	

¹ : Appliance inlets and all 63 A and 125 A products are P17 Tempra items which are manufactured from plastic
 For pack quantities, see p. 183

ADAPTOR

Conform to BS EN 60309-1,
 BS EN 60309-2, IEC 60309-1
 and IEC 60309-2
 Self-extinguishing : 850 °C
 Temp. rating : -15 °C to +40 °C

 Dimensions
 p. 186

16 A – 230 V

	Pack	Cat. No.
IEC 2 P + \perp plug – 13 A 2 P + \perp B.S. socket	10	0521 01

P 17 Tempra Pro IP 66/67 LV 16 and 32 A



Technical information and dimensions **p. 184-187**
Conformity to International Standards **p. 198**

Conform to BS EN 60309-1, IEC 60309-1, BS EN 60309-2 and IEC 60309-2
IP 44 according to BS EN 60529 and IEC 60529
IK 09 according to BS EN 62262 and IEC 62262
Material : polyamide 6 or plastic (see below)
Self-extinguishing : 850 °C (support of active parts) / 650 °C (plastic housing)

Pack	Cat. Nos.	Panel mounting sockets
	NEW	Material : polyamide 6 Can be fixed on the faceplates (p. 195)
5	16 A 32 A 5553 81 5554 81	100/130 V 2 P + ⊥
5	5553 84 5554 84	200/250 V 2 P + ⊥
5	5553 88 5554 88	380/415 V 3 P + ⊥
5	5553 89 5554 89	380/415 V 3 P + N + ⊥

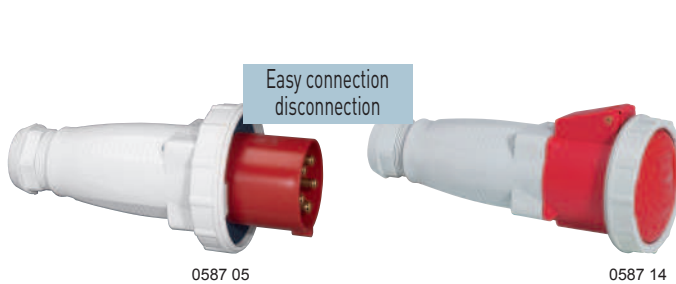
Pack	Cat. Nos.	Surface mounting sockets
	NEW	Material : polyamide 6 Two possible angles (5° or 25°)
5	16 A 32 A 5553 51 5554 51	100/130 V 2 P + ⊥
5	5553 54 5554 54	200/250 V 2 P + ⊥
5	5553 58 5554 58	380/415 V 3 P + ⊥
5	5553 59 5554 59	380/415 V 3 P + N + ⊥

Pack	Cat. Nos.	Mobile sockets
	NEW	Material : polyamide 6 Supplied unlocked
5	16 A 32 A 5553 01	100/130 V 2 P + ⊥
5	5553 04 5554 14	200/250 V 2 P + ⊥
5	5553 08 5554 18	380/415 V 3 P + ⊥
5	5553 09 5554 19	380/415 V 3 P + N + ⊥

Pack	Cat. Nos.	Straight plugs
	NEW	Material : polyamide 6 Supplied unlocked
5	16 A 32 A 5553 21 5554 31	100/130 V 2 P + ⊥
5	5553 24 5554 34	200/250 V 2 P + ⊥
5	5553 28 5554 38	380/415 V 3 P + ⊥
5	5553 29 5554 39	380/415 V 3 P + N + ⊥

Pack	Cat. Nos.	Appliance inlets ¹
	NEW	Material : plastic
5	16 A 32 A 0 568 03 0 568 23	200/250 V 2 P + ⊥
5	0 568 07 0 568 27	380/415 V 3 P + ⊥
5	0 568 08 0 568 28	380/415 V 3 P + N + ⊥

P 17 Tempra IP 66/67 LV 63 and 125 A



Technical information and dimensions **p. 185-187**
Conformity to International Standards **p. 198**

Conform to BS EN 60309-1, IEC 60309-1, BS EN 60309-2 and IEC 60309-2
IP 44 according to BS EN 60529 and IEC 60529
IK 09 according to BS EN 62262 and IEC 62262
Material : plastic
Self-extinguishing : 850 °C (support of active parts) / 650 °C (plastic housing)

Pack	Cat. Nos.	Panel mounting sockets ¹
		Can be fixed on the faceplates Cat. Nos 0577 17/19 (p. 195)
2	63 A 125 A 0587 20	200/250 V 2 P + ⊥
2 1	0587 24	380/415 V 3 P + ⊥
2 1	0587 25 0591 17	380/415 V 3 P + N + ⊥

Pack	Cat. Nos.	Surface mounting sockets ¹
2	63 A 125 A 0587 40	200/250 V 2 P + ⊥
2 1	0587 44	380/415 V 3 P + ⊥
2 1	0587 45 0591 07	380/415 V 3 P + N + ⊥

Pack	Cat. Nos.	Mobile sockets ¹
2	63 A 125 A 0587 10	200/250 V 2 P + ⊥
2 1	0587 14	380/415 V 3 P + ⊥
2 1	0587 15 0591 37	380/415 V 3 P + N + ⊥

Pack	Cat. Nos.	Straight plugs ¹
2	63 A 125 A 0587 00	200/250 V 2 P + ⊥
2 1	0587 04	380/415 V 3 P + ⊥
2 1	0587 05 0591 27	380/415 V 3 P + N + ⊥

Pack	Cat. Nos.	Appliance inlets ¹
2	63 A 125 A 0587 30	200/250 V 2 P + ⊥
2 1	0587 34	380/415 V 3 P + ⊥
2 1	0587 35 0591 47	380/415 V 3 P + N + ⊥

¹ : Appliance inlets and all 63 A and 125 A products are P17 Tempra items which are manufactured from plastic

P 17 Tempra Pro IP 66/67 - LV 16 and 32 A

sockets, mobile sockets, plugs and appliance inlets

Technical information

Terminal connection :

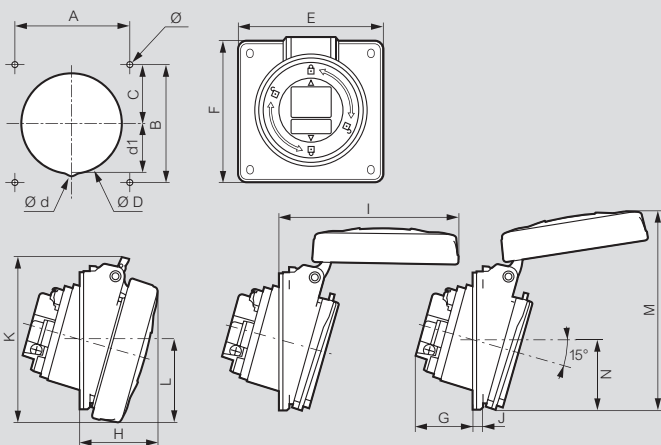
- Panel and surface mounting sockets
- 16 A : max. 1 x 4 mm² rigid – 32 A : max. 1 x 10 mm² rigid
- Plugs and mobile sockets:
- 16 A : max. 1 x 2.5 mm² flexible – 32 A : max. 1 x 6 mm² flexible

• Appliance inlets :

- 16 A : max. 1 x 2.5 mm² rigid – 32 A : max. 1 x 6 mm² rigid
- IP 66/67 according to BS EN 60529 and IEC 60529
- IK 09 according to BS EN 62262 and IEC 62262
- Material : polyamide 6 (appliance inlet material : plastic)
- Self-extinguishing : 850 °C (support of active parts) / 650 °C (plastic housing)
- Temp. rating : -25 °C to +40 °C
- Conform to BS EN 60309-1, IEC 60309-1, BS EN 60309-2 and IEC 60309-2

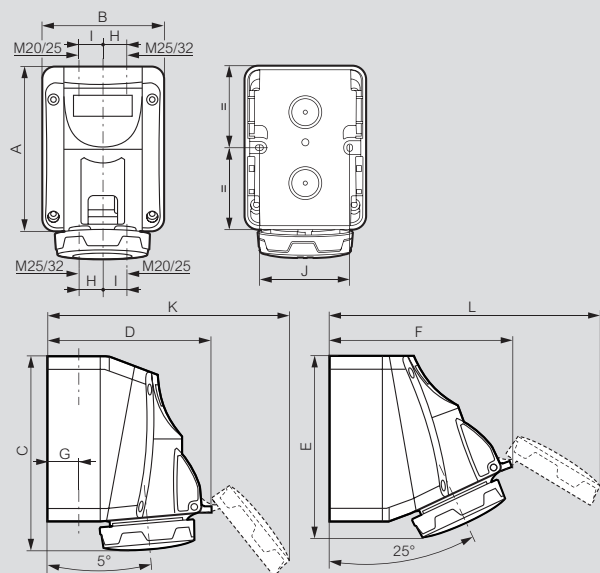
Dimensions

Panel mounting sockets (p. 183)



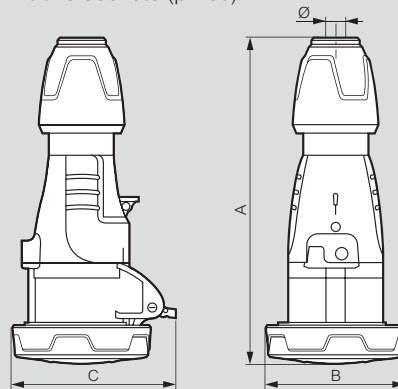
	Dimensions (mm)																
	A	B	C	ØD	Ød	d1	E	F	G	H	I	J	K	L	M	N	Ø
LV 16 A																	
2P+±	70	70	35	76.2	-	-	84	84	33.5	42	94	4.5	88	42.5	114	42	4.2
3P+±	70	70	35	76.2	-	-	84	84	35.5	43	101	4.5	94.5	46	118	42	4.2
3P+N+±	70	70	35	76.2	-	-	84	84	36.5	44	108.5	4.5	101	50	123	42.5	4.2
LV 32 A																	
2P+±/3P+±	70	70	35	76.2	-	-	84	94	41.5	50.5	118	4.5	105.5	54.5	129.5	47.5	4.2
3P+N+±	70	70	35	76.2	8	36	84	94	42.5	51.5	124.5	4.5	112	57.5	137	51	4.2

Surface mounting sockets (p. 183)



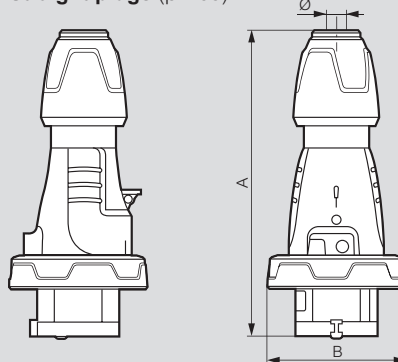
	A	B	C	D	E	F	G	H	I	J	K	L
LV 16 A												
2P+±	125	93	144	125	131	137	22	17	20	70	178	200
3P+±	125	93	144	133	131	145	22	17	20	70	194	215
3P+N+±	125	93	144	139	131	150	22	17	20	70	205	227
LV 32 A												
2P+±/3P+±	150	113	171	155	156	170	28	22	26	90	224	250
3P+N+±	150	113	171	161	156	175	28	22	26	90	231	260

Mobile sockets (p. 183)



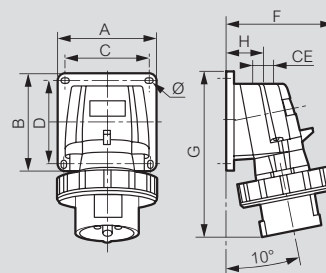
	A	B	C	Ø
LV 16 A				
2P+±	159 to 170	72.5	86	6.5 to 14
3P+±	159 to 170	80.5	93	7.1 to 15.5
3P+N+±	179 to 190	89	100	8 to 20
LV 32 A				
2P+±	187 to 200	93	104	8 to 20
3P+±	187 to 200	93	104	8 to 20
3P+N+±	192 to 205	100	110.5	11.9 to 22.2

Straight plugs (p. 183)



	A	B	Ø
LV 16 A			
2P+±	146 to 157	72.5	6.5 to 14
3P+±	146 to 157	80.5	7.1 to 15.5
3P+N+±	163 to 176	89	8 to 20
LV 32 A			
2P+±	172 to 185	93	8 to 20
3P+±	172 to 185	93	8 to 20
3P+N+±	179 to 189	100	11.9 to 22.2

Appliance inlets (p. 183)



	Weight (kg)	A/B	C/D	F	G	H	CE	Ø
LV 16 A								
2P+±	0.188	84	72	87	126	34	M 20	4.3
3P+±	0.257	84	72	95	134	34	M 20	4.3
3P+N+±	0.297	84	72	100	141	34	M 20	4.3
LV 32 A								
2P+±	0.370	110	98	107	168	39	M 25	5.3
3P+±								
3P+N+±	0.413	110	98	113	168	39	M 25	5.3

P 17 Tempra IP 66/67 - LV 63 A

sockets, mobile sockets, plugs and appliance inlets

Technical information

Terminal connection :

- Panel and surface mounting sockets
- 63 A : max. 1 x 25 mm² rigid - 125 A: max. 1 x 70 mm² rigid
- Plugs and mobile sockets:
- 63 A : max. 1 x 16 mm² flexible - 125 A: max. 1 x 50 mm² flexible
- Appliance inlets :

63 A : max. 1 x 16 mm² rigid - 125 A: max. 1 x 50 mm² rigid

IP 66/67 according to BS EN 60529 and IEC 60529

IK 09 according to BS EN 62262 and IEC 62262

Material : plastic

Self-extinguishing : 850 °C (support of active parts) / 650 °C (plastic housing)

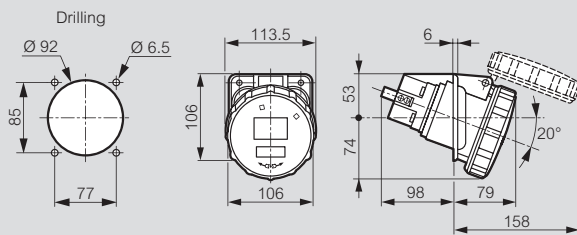
Temp. rating : -25 °C to +40 °C

Conform to BS EN 60309-1, IEC 60309-1, BS EN 60309-2 and IEC 60309-2

Dimensions

Panel mounting sockets (inclined outlet) (p. 183)

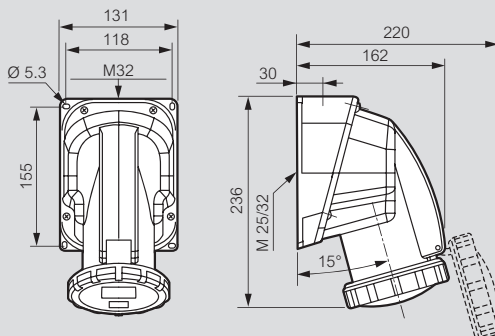
Cat. Nos. 0587 20/24/25



	Weight (kg)
3 P + \pm	0.710
3 P + N + \pm	0.770

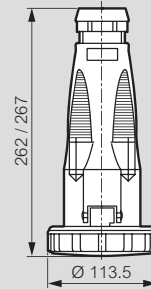
Surface mounting sockets (p. 183)

Cat. Nos. 0587 40/44/45



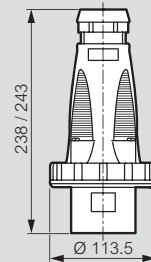
	Weight (kg)
3 P + \pm	0.900
3 P + N + \pm	0.950

Mobile sockets (p. 183)



	Weight (kg)
	Mobile sockets
3 P + \pm	0.780
3 P + N + \pm	0.850

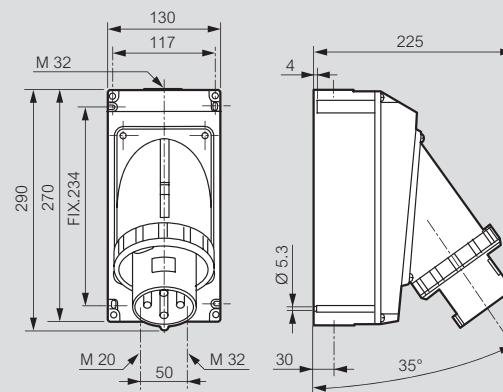
Straight plugs (p. 183)



	Weight (kg)
	Straight plugs
3 P + \pm	0.570
3 P + N + \pm	0.640

Appliance inlets (p. 183)

Cat. Nos. 0587 30/34/35



	Weight (kg)
3 P + \pm	1.540
3 P + N + \pm	1.610

P 17 Tempra IP 66/67 - LV 125 A

sockets, mobile sockets, plugs and appliance inlets

Technical information

Terminal connection :

- Panel and surface mounting sockets
125 A : max. 1 x 25 mm² rigid - 125 A: max. 1 x 70 mm² rigid
- Plugs and mobile sockets:
125 A : max. 1 x 16 mm² flexible - 125 A: max. 1 x 50 mm² flexible
- Appliance inlets :

125 A : max. 1 x 16 mm² rigid - 125 A: max. 1 x 50 mm² rigid
IP 66/67 according to BS EN 60529 and IEC 60529
IK 09 according to BS EN 62262 and IEC 62262

Material : plastic

Self-extinguishing : 850 °C (support of active parts) / 650 °C (plastic housing)

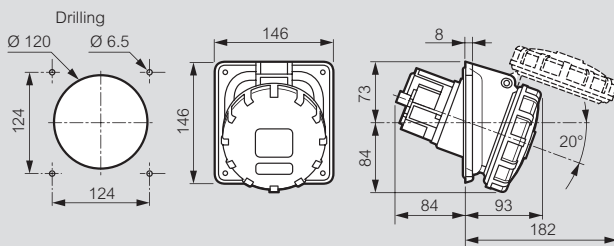
Temp. rating : -25 °C to +40 °C

Conform to BS EN 60309-1, IEC 60309-1, BS EN 60309-2 and IEC 60309-2

Dimensions

Panel mounting sockets (p. 183)

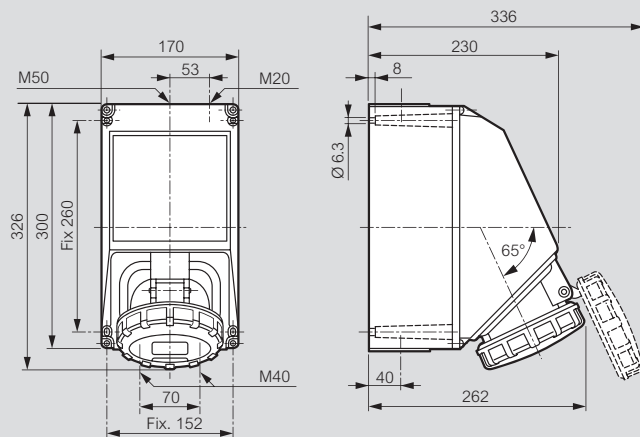
Cat. No. 0591 17



	Weight (kg)
3 P+N+⊥	1.200

Surface mounting sockets (p. 183)

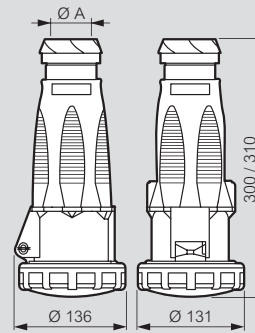
Cat. No. 0591 07



	Weight (kg)
3 P+N+⊥	2.730

Mobile sockets (p. 183)

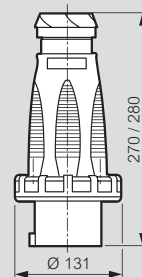
Cat. No. 0591 37



	A
3 P+N+⊥	28.5 to 50

Straight plugs (p. 183)

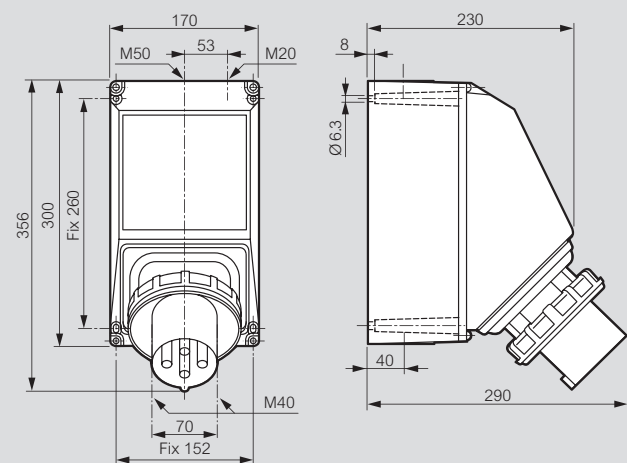
Cat. No. 0591 27



	Ø
3 P+N+⊥	28.5 to 50

Appliance inlets (p. 183)

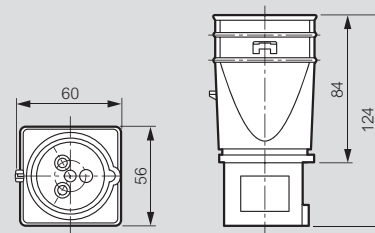
Cat. No. 0591 47



Adaptor from IEC to BS (p. 182)

Cat. No. 0521 01

16 A 2 P+⊥ 230 V plug to 13 A 3 pin BS socket

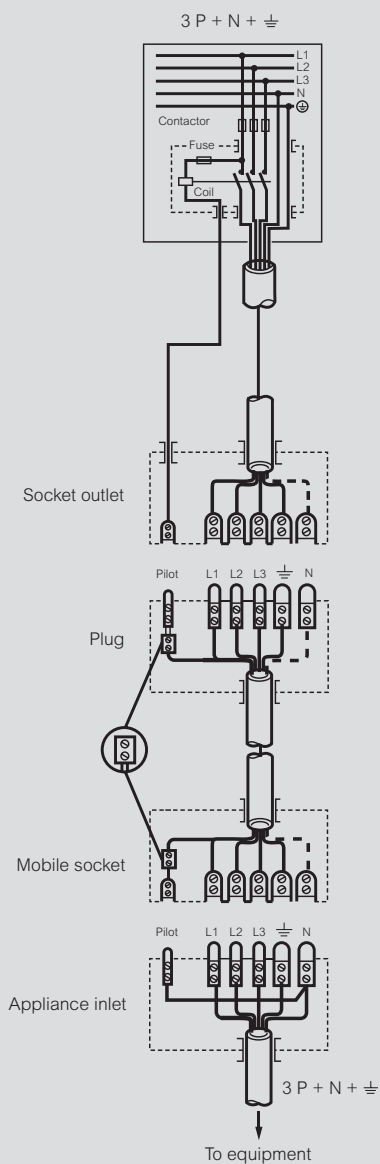


P 17 Tempra IP 66/67 - LV 63 A

pilot pin connection, specifications and type

■ Example of 63 A 3 P + \perp and 3 P + N + \perp pilot pin connection

The pilot pin enables the load to be removed prior to the separation of the phase pins, when the circuit is routed via a contactor



The pilot pin connection accepts 2.5-6 mm² flexible or up to 10 mm² rigid conductor. It is the small centre pin in the connection

■ Pilot cabling

	63 A	Conductors type
Plugs and mobile sockets	2.5 to 6	Flexible
Surface mounting sockets	2.5 to 10	Rigid