

## Features

- System Board for Triconex
- For 32-channel AI cards 3700A, and 3721
- For 16 modules
- Recommended modules: HiD2026 (AI), HiD2030 (AI)
- 24 V DC supply
- Hazardous area: pluggable screw terminals, blue
- Safe area: ELCO socket, 56-pin

## Function

The function of the Termination Board as well as the connector pin assignment exactly fit the requirement of Triconex systems.

The Termination Board has a fault bus that is available at the redundant power supply terminals. The fault bus can be daisy chained and monitored by the optional Fault Indication Board. The fault bus signals are then available to the control system as a potential-free contact.

The Termination Boards are supplied with a robust glass fiber reinforced plastic housing as standard. This design permits the fast and reliable installation on 35 mm DIN mounting rail acc. to EN 60715 in the cabinet.

## Application

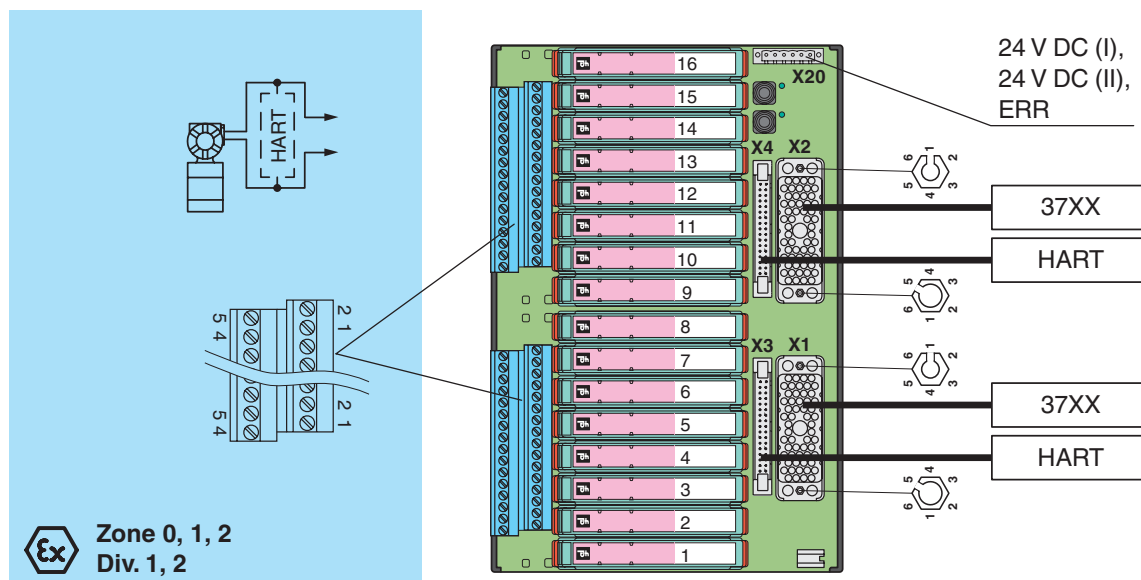
Triconex cards 3700A and 3721:

- Board 1 and cable 1: channel 1 ... 16
- Board 1 and cable 2: channel 17 ... 32

## Assembly



## Connection



Release date 2014-07-18 10:58 Date of issue 2014-07-18 230421\_eng.xml

Refer to "General Notes Relating to Pepperl+Fuchs Product Information".

Pepperl+Fuchs Group  
www.pepperl-fuchs.com

USA: +1 330 486 0002  
pa-info@us.pepperl-fuchs.com

Germany: +49 621 776 2222  
pa-info@de.pepperl-fuchs.com

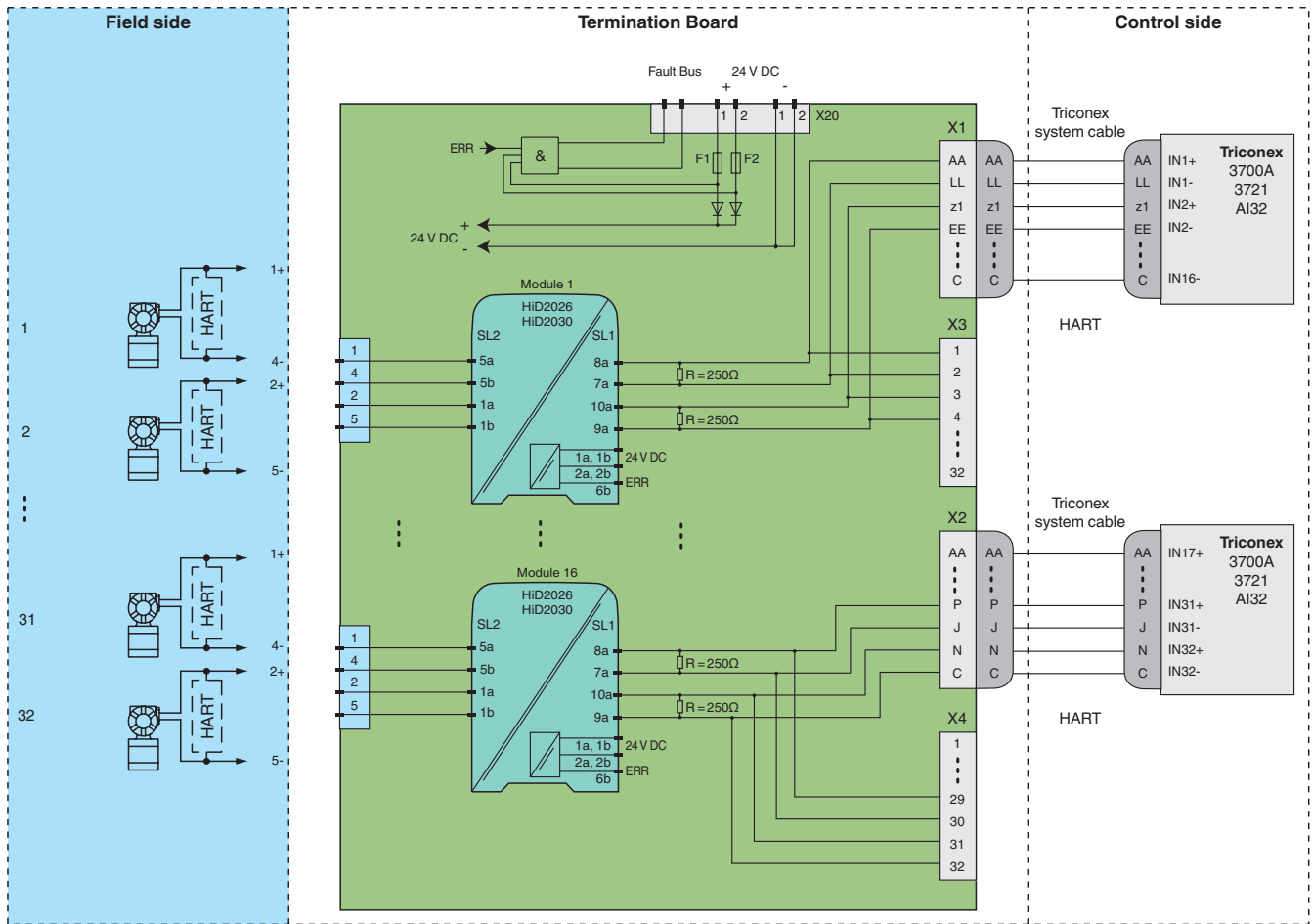
Singapore: +65 6779 9091  
pa-info@sg.pepperl-fuchs.com

<b>Supply</b>	
Rated voltage	24 V DC , in consideration of rated voltage of used isolated barriers
Voltage drop	0.9 V , voltage drop across the series diode on the Termination Board must be considered
Ripple	≤ 10 %
Fusing	4 A , in each case for 16 modules
Power loss	≤ 500 mW , without modules
Reverse polarity protection	yes
<b>Redundancy</b>	
Supply	Redundancy available. The supply for the modules is decoupled, monitored and fused.
<b>Indicators/settings</b>	
Display elements	LEDs PWR ON (power supply) - LED power supply I, green LED - LED power supply II, green LED
<b>Directive conformity</b>	
Electromagnetic compatibility	
Directive 2004/108/EC	EN 61326-1:2013
<b>Conformity</b>	
Electromagnetic compatibility	NE 21:2011 For further information see system description.
Degree of protection	IEC 60529:2001
<b>Ambient conditions</b>	
Ambient temperature	-20 ... 60 °C (-4 ... 140 °F)
Storage temperature	-40 ... 70 °C (-40 ... 158 °F)
<b>Mechanical specifications</b>	
Degree of protection	IP20
Connection	hazardous area connection (field side): plugable screw terminals, blue safe area connection (control side): ELCO socket, 56-pin
Material	housing: polycarbonate, 30 % glass fiber reinforced
Mass	approx. 1600 g
Dimensions	300 x 200 x 163 mm (11.8 x 7.9 x 6.42 in) , height including module assembly
Mounting	on 35 mm DIN mounting rail acc. to EN 60715:2001
<b>Data for application in connection with Ex-areas</b>	
EC-Type Examination Certificate	CESI 11 ATEX 062 , for additional certificates see <a href="http://www.pepperl-fuchs.com">www.pepperl-fuchs.com</a>
Group, category, type of protection	⊕ II (1)G [Ex ia Ga] IIC ⊕ II (1)D [Ex ia Da] IIIC ⊕ I (M1) [Ex ia Ma] I
<b>Safe area</b>	
Maximum safe voltage	250 V (Attention! U <sub>m</sub> is no rated voltage.)
<b>Electrical isolation</b>	
Field circuit/control circuit	safe electrical isolation acc. to IEC/EN 60079-11, voltage peak value 375 V
<b>Directive conformity</b>	
Directive 94/9/EC	EN 60079-0:2012, EN 60079-11:2012, EN 60079-26:2007 , EN 50303:2000
<b>International approvals</b>	
CSA approval	
Control drawing	see control drawing of corresponding modules
IECEx approval	
Approved for	[Ex ia Ga] IIC [Ex ia Da] IIIC [Ex ia Ma] I
<b>General information</b>	
Supplementary information	EC-Type Examination Certificate, Statement of Conformity, Declaration of Conformity, Attestation of Conformity and instructions have to be observed where applicable. For information see <a href="http://www.pepperl-fuchs.com">www.pepperl-fuchs.com</a> .
<b>Accessories</b>	
Designation	optional accessories: - Fault Indication Board HiATB01-FAULT-01 - HART Communication Board HiATB01-HART-2X16 - HART Multiplexer Master HiDMux2700 - HART connection cable HiACA-UNI-FLK34-*M* - Label Carrier HiALC-Hi*TB-SET-1**

Release date 2014-07-18 10:58 Date of issue 2014-07-18 230421\_eng.xml

Application

Typical loop



The pin-out configuration has to be observed. For information see corresponding pin-out table on [www.pepperl-fuchs.com](http://www.pepperl-fuchs.com).

Module switch settings

Type (AI)	DIP switch	Position
HiD2026, HiD2030 (4 mA ... 20 mA)	S1	OFF
	S2	OFF
	S3	OFF
	S4	OFF

Triconex card setting

0 V DC ... 5 V DC

Release date 2014-07-18 10:58 Date of issue 2014-07-18 230421\_eng.xml