

RFT



Audible Alarm & LED Tower



LED



90dB at 1m

32 Alarm Sounds

IP54

115

NPN
Open-collector



An LED Rotating Light with built-in alarm sounds controllable by binary or bit input for a maximum of 32 sounds!

FEATURES

- Sound reduction feature to drop the volume by about 10dB (at 1m) when an input signal is received (Binary Mode only).
- Using an SD Card can allow customization of one sound group to be re-arranged using any of the pre-installed sounds.
- Compliance with the RoHS Directives makes it environmentally friendly.
- Complies with EU directives and includes the CE mark (for 24V type).
- Can be controlled with NPN open-collector transistor inputs.
- A side panel access allows easier volume adjustment.
- Produces a loud sound of up to 90dB (at 1m)

Side access design enables easy post-installation maintenance



The sound reduction function reduces the volume by approx. -10dB (at 1m), a feature ideal for use at night time together with a timer or sensor.

How to Order

RFT-24A-R	
Rated Voltage	Globe Color
24 : DC 24V	R: Red
100: AC 100V	Y: Amber
220: AC 220V	G: Green
Sound Type	B: Blue
A: A Type	
C: C Type	
D: D Type	
E: E Type	

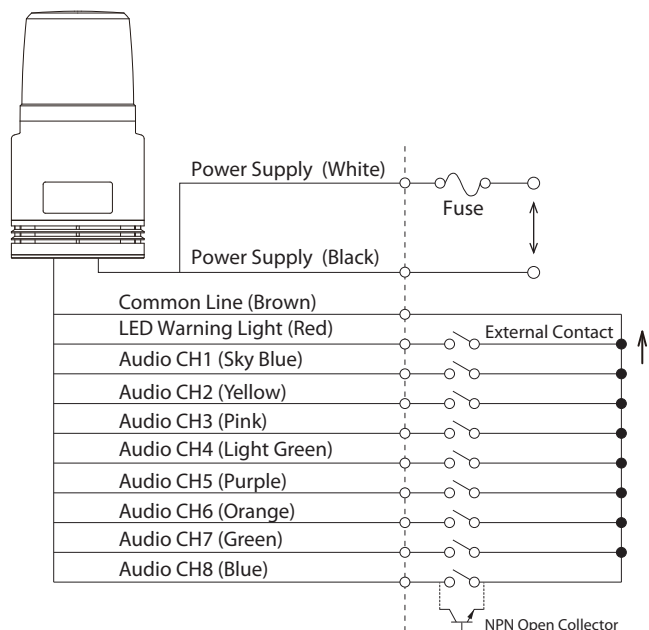
Type E			
Beep (slow intermittent)	Stutter + Bell	Inverted Reveille	Annie Laurie
Stutter (rapid intermittent)	Melody Chime	Galactic Motor	London Bridge is falling down
Bell (clear high-pitch)	Chime	Ringing Phone	Mary had a little Lamb
Yelp (rapid siren)	Call Sign	Two Tone	Camptown Races
Rapid Hi-Lo	Train Ride	Alarm Clock	Amaryllis
Melody Chime	Galloping Hi-Lo	Ringing Hi-Lo	Mozart Symphony No. 40
Synthesized Piano	Alien Chatter	Fur Elise	Ave Maria
Synthesized Bell	Falling Crystals	Bach Minuet in Gmaj	Grandfather's Clock

Sound Reduction



Wiring

RFT



Options

- RF-001: Wall Mount Bracket



- RF-002 Ceiling Mount Bracket



Options

PATLITE Playlist Editor 2 (Free Version)

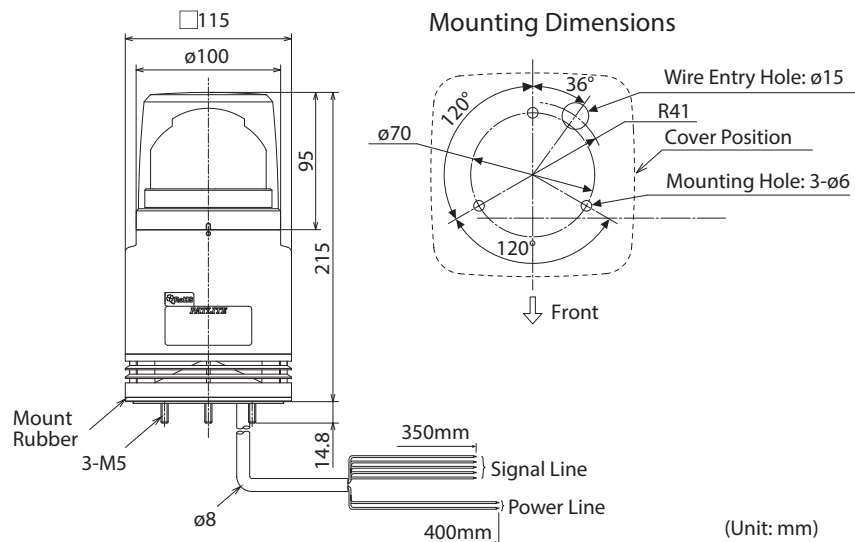
(OS: Windows® 2000/XP/Vista)

- > The new PATLITE Playlist Editor 2 is required to change the audio message data for this product.
- > The SD Card does not contain the Playlist Editor software or any audio messages.

SD Card
(2 GB)
SDV-2GP



Dimensions



(Unit: mm)

Specifications

Series	Model	Rated Voltage	Operating Voltage Range	Maximum Power Consumption	Sound Level	Operating Temperature Range	Flashes per Minute	Protection Rating	Vibration Resistance	Mass
RFT	RFT-24	DC 24V	DC 24V ±10%	12 W	Max. 90dB (at 1m)	-10°C - +50°C (85%RH or less)	115 ±15	IP54 (When Flush-mounted)	19.6m/s ²	1.0kg
	RFT-100	AC 100V	AC 100V ±10%	13 W						1.2kg
	RFT-220	AC 220V	AC 220V ±10%	13 W						

Actual sound level will depend on sound type and operating conditions.

※) Even when starting two or more units simultaneously, a lag will occur during message playback.