

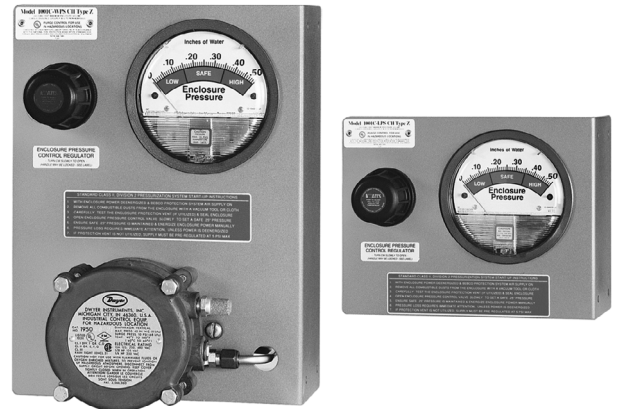
**Features**

- NFPA 70, NFPA 496, ISA 12.4 standards
- Optional alarm output indicates air lock failure
- Type Y system certified for Class II, Division 1 to Division 2
- Type Z system certified for Class II, Division 2 to nonhazardous
- Enclosure volume up to 7.08 m<sup>3</sup> (250 ft<sup>3</sup>)

**Function**

Model 1001C is an enclosure pressurization system that operates on a supply of compressed instrument air or inert gas. It regulates and monitors pressure within sealed (protected) enclosure(s), in order to prevent combustible dust accumulation by maintaining a "safe" (1.0") pressure. This process reduces the hazardous (classified) area rating within the enclosure(s), in accordance with the NEC - NFPA 70, Article 500, NFPA 496 and ISA 12.4.

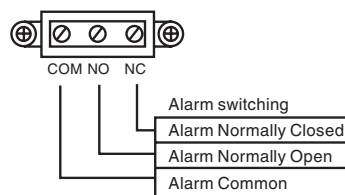
**Assembly**



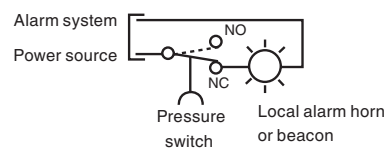
**BEBCO EPS®**

**Connection**

Terminal block connections



Wiring configuration



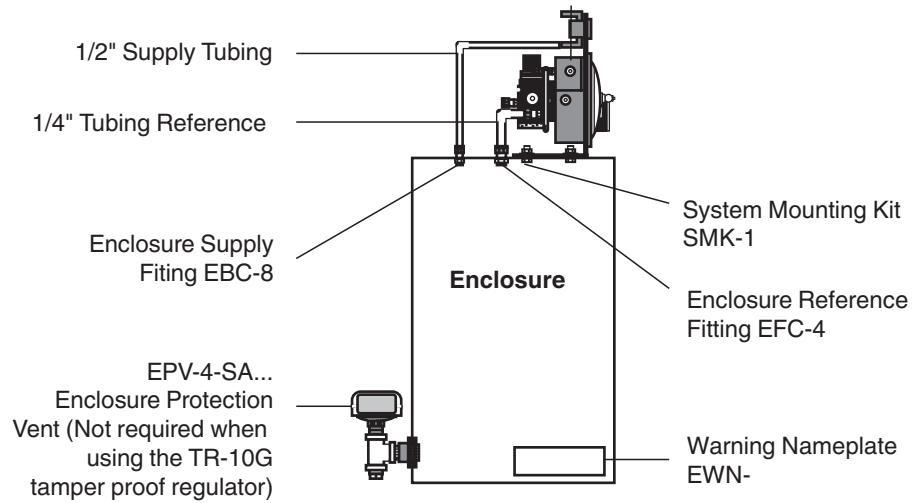
Release date 2013-09-26 23:17 Date of issue 2013-09-26 t156392\_eng.xml

Refer to "General Notes Relating to Pepperl+Fuchs Product Information".

<b>General specifications</b>	
Series	1001C
Hazardous environment	gas
<b>Electrical specifications</b>	
Connection	Terminal blocks
<b>Output</b>	
Output I	-WPS-
Output type	Switch contacts
Contact loading	120 VAC @ 15 A
<b>Pneumatic parameters</b>	
Protective gas supply	Instrument grade air or inert gas
Pressure requirement	5 - 120 psi (With EPV-4 vent. Systems installed without vent must be equipped with redundant regulator set to 5 psi max.)
Safe pressure	Setpoint: 1.0" (25.4 mm) Flow rate: 0.1 - 3.5 SCFH (2.8 - 99 l /hr)
<b>Ambient conditions</b>	
Ambient temperature	-29 ... 49 °C (-20.2 ... 120.2 °F)
<b>Mechanical specifications</b>	
Connection type	System supply fitting: 1/2" tube fitting Enclosure supply fitting: 1/2" tube fitting Enclosure reference fitting: 1/4" tube fitting Switch conduit port size: 1/2" FPT
Material	Regulator body: zinc w/enamel finish Regulator handle: polycarbonate Enclosure pressure gauge: alum. w/enamel finish Tube fitting: 316 ss forged body Tubing: 316 ss 1/4" .035 welded System nameplate: silk screened Lexan® & ss Fastener hardware: alum. & stainless steel Mounting plate: 316 14 ga #3 brush ss EXP pressure switch body: anodized cast aluminum Enclosure warning nameplate: silk screened ss
Mass	1001C-LPS-* 3.2 kg (7 lb) 1001C-WPS-* 5.4 kg (12 lb)
<b>International approvals</b>	
FM approval	Type Y LPS: Class II, Division 1, Groups F, G WPS: Class II, Division 1, Groups F, G  Type Z LPS: Class II, Division 2, Groups F, G WPS: Class II, Division 2, Groups F, G
UL approval	cULus  Type Y LPS: Class II, Division 1, Groups F, G WPS: Class II, Division 1, Groups F, G  Type Z LPS: Class II, Division 2, Groups F, G WPS: Class II, Division 2, Groups F, G

Release date 2013-09-26 23:17 Date of issue 2013-09-26 t156392\_eng.xml

Assembly



Dimensions

Overall system dimensions			
LPS / WPS	LH - left hand	RH - right hand	TM - top mount
Height	7 / 12	7 / 12	7 / 8
Width	8.875 / 8.875	8.875 / 8.875	8.75 / 14.25
Depth	6 / 7.25	6 / 7.25	6 / 7.25
LPS / WPS	BM - bottom mount	WM - wall mount	FM & PM - surface
Height	7 / 8	7 / 12	9 / 14
Width	8.75 / 14.25	8.875 / 8.875	10.875 / 10.875
Depth	6 / 7.25	7.5 / 9.25	4.75 / 6.5
Dimensions in inches. Mounting dimensions available upon request. FM & PM panel cutout dimensions: LPS - 8 h x 9.875 w WPS - 13 h x 9.875 w.  Height & Width dimensions reflect mounting plate measurements. Depth dimension reflects overall measurement of system, including components.			

Release date 2013-09-26 23:17 Date of issue 2013-09-26 t156392\_eng.xml

<b>System Accessories</b>	
<b>Connection fittings</b>	
Part	Description
EFC-4	1/4" flush connector
EFC-8	1/2" flush connector
EBC-8	1/2" bulkhead connector
EPC-14	1-1/2" pipe connector
<b>Additional items</b>	
Part	Description
ILF-8	1/2" In-Line Filter
SMK-1	Surface Mounting Kit (-LH-, -RH-, -TM-, -BM-, -WM- models)
SMK-4	Surface Mounting Kit (-FM-, -PM- models)
SMK-6	Surface Mounting Kit (-FM-, -PM- models)
EPSK-2	Explosion Proof Switch Kit (Class II areas)
EPSK-2A	Explosion Proof Switch Kit (Class II areas)
GPSK-2	General-purpose Switch Kit (Class II areas)
RAH	Remote Alarm Horn
RAB-1	Div. 1 Remote Alarm Beacon
RAB-2	Div. 2 Remote Alarm Beacon
LCK	"L" style conduit fitting kit
TCK	"T" style conduit fitting kit
<b>Hex key regulator handles</b>	
Part	Description
TR-30G	Tamper proof regulator with gauge
<b>Warning nameplates</b>	
Part	Description
EWN-2	Class II enclosure warning
ETW	Enclosure temperature warning
<b>Installation &amp; Operation Manual</b>	
Part	Description
DOCT-1354	Installation and Operation Manual

Release date 2013-09-26 23:17 Date of issue 2013-09-26 t156392\_eng.xml

Refer to "General Notes Relating to Pepperl+Fuchs Product Information".

Pepperl+Fuchs Group  
www.pepperl-fuchs.com

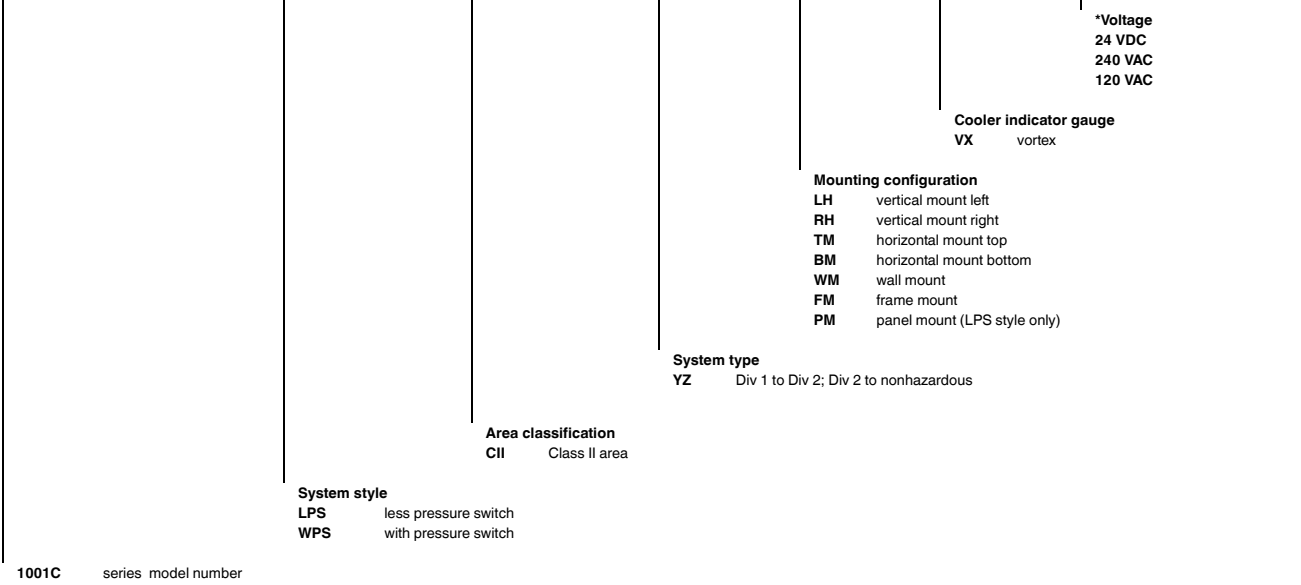
USA: +1 330 486 0002  
pa-info@us.pepperl-fuchs.com

Germany: +49 621 776 2222  
pa-info@de.pepperl-fuchs.com

Singapore: +65 6779 9091  
pa-info@sg.pepperl-fuchs.com

Type code/model number

1 0 0 1 C - L P S - C I I - Y Z - L H - V X - 2 4 V D C



\* only for WPS option

Release date 2013-09-26 23:17 Date of issue 2013-09-26 t156392\_eng.xml

Refer to "General Notes Relating to Pepperl+Fuchs Product Information".

Pepperl+Fuchs Group  
www.pepperl-fuchs.com

USA: +1 330 486 0002  
pa-info@us.pepperl-fuchs.com

Germany: +49 621 776 2222  
pa-info@de.pepperl-fuchs.com

Singapore: +65 6779 9091  
pa-info@sg.pepperl-fuchs.com