



APPLICATIONS

- Food & beverage processing
- Pasteurization systems
- Pharmaceutical
- Medical

10 SERIES

- 1-1/2" and 2" clamp, fillable dry or liquid-filled gauge
- Ranges from -30 inHg to 0 psig through 0 psig to 600 psig
- 2-1/2" and 4" gauge sizes
- Electropolished Stainless Steel case
- 316 Stainless Steel wetted parts
- 3A certified
- C.I.P, S.I.P and Autoclave (only dry gauges are recommended for Autoclave)

SPECIFICATIONS

Pressure ranges	-30 inHg to 0 psig through 0 to 600 psig
Accuracy	2-1/2" gauge $\pm 1.6\%$ full scale 4" gauge $\pm 1.0\%$ full scale
Temperature ranges	Media -40 °F to 300 °F (-40 °C to 150 °C) Ambient 25 °F to 140 °F (-4 °C to 60 °C) Storage 25 °F to 140 °F (-4 °C to 60 °C)
Measuring element	316 Stainless Steel "C" tube
Connection	1-1/2" or 2" ASME-BPE Sanitary Clamp, 316L Stainless Steel Diaphragm 316L Stainless Steel, electropolished to 32 μ m Ra or better
Case	Electropolished 304 Stainless Steel
Bayonet ring	Electropolished 304 Stainless Steel
Lens	Safety glass
Pointer	Balanced Aluminum, black finish
Dial	Aluminum, white background, black print
Movement	Stainless Steel
Fill liquid	Glycerin, USP Grade

*Note: Autoclave requires the addition of optional laminated safety glass lens

Diaphragm seal must be installed facing downward or in a vertical position for drainability.
Do not install diaphragm seal facing in an upward position.



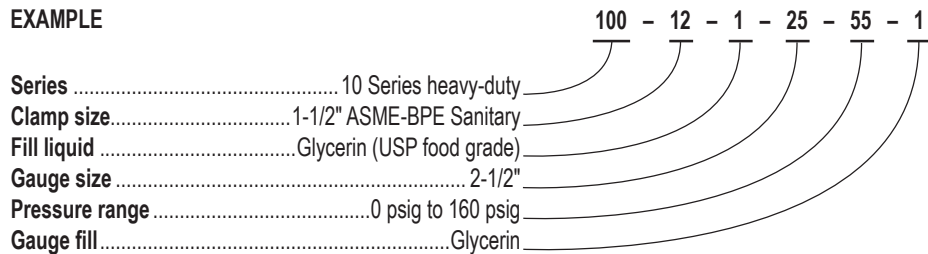
ORDERING INFORMATION				
SERIES	100	10 Series heavy-duty, bottom connected	101	10 Series heavy-duty, back connected
CLAMP SIZES	12	1-1/2"	16	2"
FILL LIQUID	1	Glycerin	Other food grade quality fill fluids available – please consult factory	
GAUGE SIZES	25	2-1/2"	40	4"
PRESSURE RANGES	01	-30 inHg to 0 psig *	16	-30 inHg to 160 psig
	04	-30 inHg to 15 psig	19	-30 inHg to 200 psig
	07	-30 inHg to 30 psig	22	-30 inHg to 300 psig
	10	-30 inHg to 60 psig	40	0 psig to 15 psig *
	13	-30 inHg to 100 psig	43	0 psig to 30 psig
GAUGE FILLS	0	None	1	Glycerin
		(All food grade quality fill fluids)		
GAUGE OPTIONS	0	None	1	Max. Indicating Pointer**
			2	Adjustable Pointer**

Please consult your local NOSHOK Distributor or NOSHOK, Inc. for availability and delivery information.

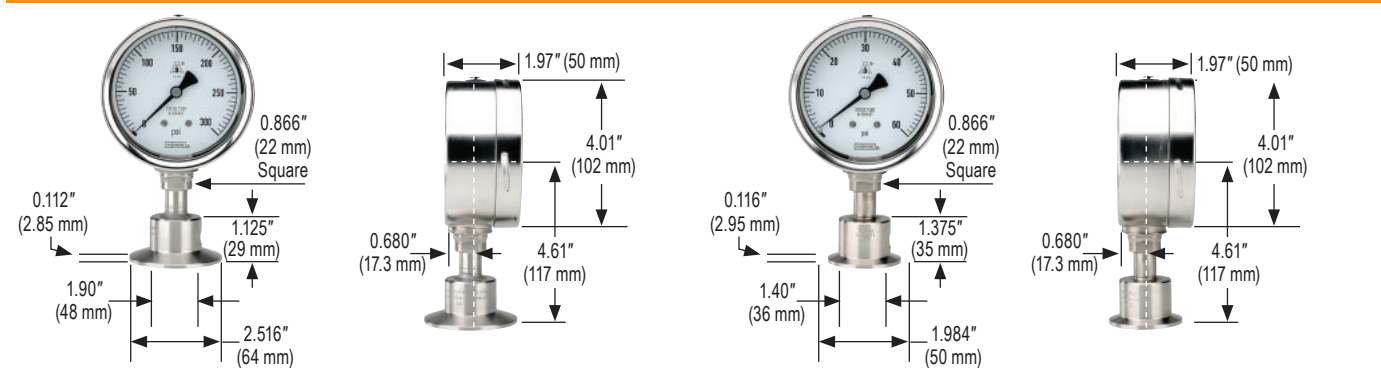
* Not available on 4" gauge and 1-1/2" ASME-BPE Sanitary Clamp

** Not available on 2-1/2" gauge

EXAMPLE



4" Gauge with 2" ASME-BPE Sanitary Clamp Connection 4" Gauge with 1-1/2" ASME-BPE Sanitary Clamp Connection



2-1/2" Gauge with 2" ASME-BPE Sanitary Clamp Connection 2-1/2" Gauge with 1-1/2" ASME-BPE Sanitary Clamp Connection

