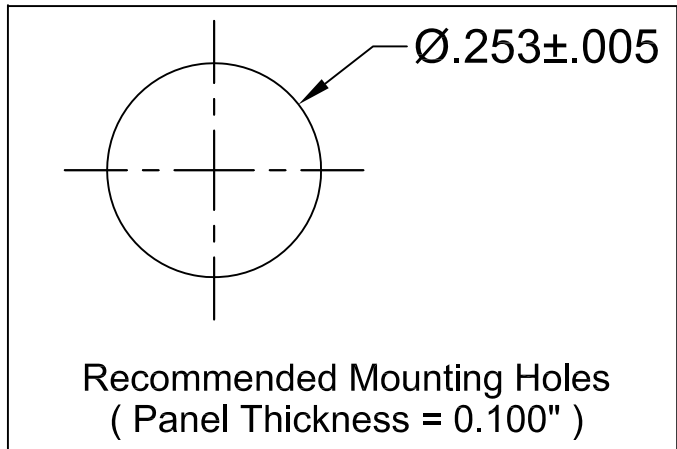
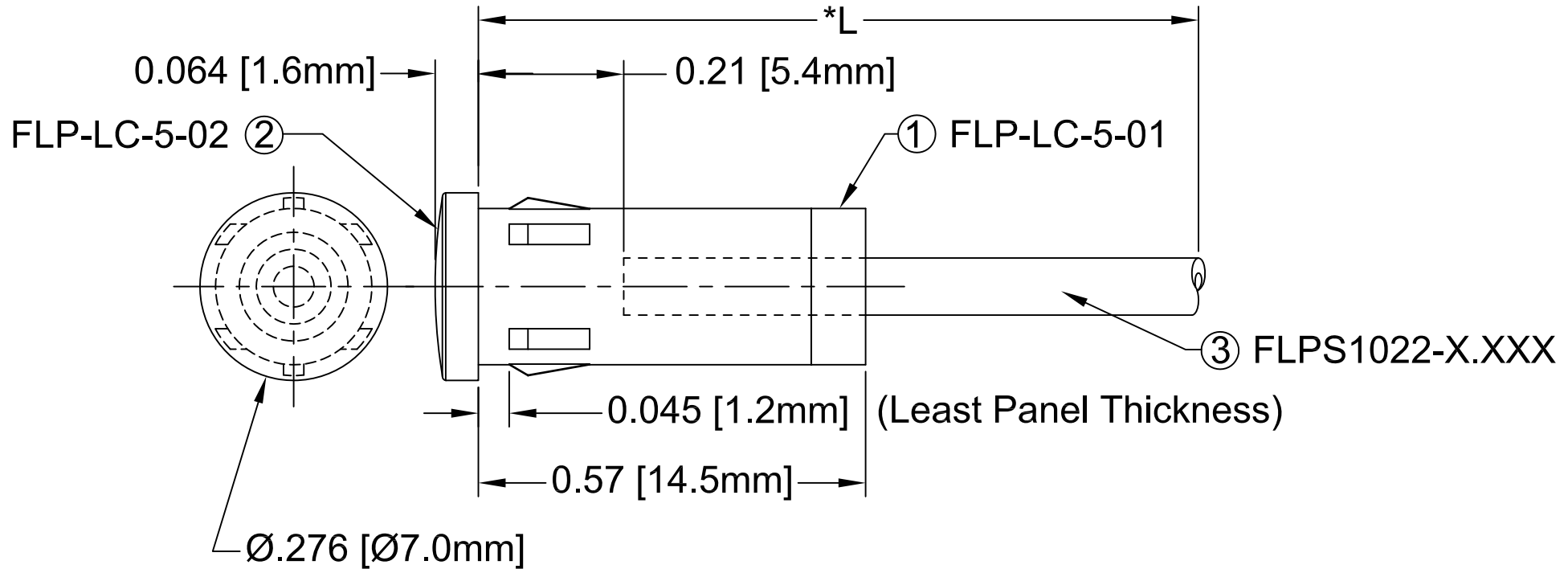


ITEM	Q'TY	PART NUMBER	PART DESCRIPTION
1	1	FLP-LC-5-01	HOLDER CAP, FLEXIBLE LIGHT-PIPE, INSERT
2	1	FLP-LC-5-02	HOLDER CAP, FLEXIBLE LIGHT-PIPE, BODY
3	1	FLPS1022-X.XXX	LIGHT PIPE CABLE, CUT LENGTH IN INCHES

REV.	DESCRIPTION	DATE	APPROVED
C	Engineering Update w/o Changes	03/05/04	M. C.
D	Dimensioning Update w/o Changes	01/05/05	M. C.
E	FLP Length Update.	10/18/05	M. C.
F	FLP Length Clarification.	01/11/06	M. C.
G	Updated Fiber In BOM	11/16/12	T. Y.



" L "	Tolerance
0.750" ~ 16.000"	±0.050"
16.100" ~ 40.000"	±0.150"
40.100" ~ 80.000"	±0.300"
80.100" ~ 3,940.0"	±0.5%

*NOTE:
ALLOWABLE CUT LENGTH IS UP TO 3 DECIMAL PLACES.

STANDARD TOLERANCE (UNLESS OTHERWISE SPECIFIED)		BIVAR [®] 4 THOMAS, IRVINE, CA. 92618 TEL: (949) 951-8808 FAX: (949) 951-3974
DECIMALS	ANGULAR	
.X ±.1	X° ± 1°	
.XX ±.02		TITLE: LENS CAP / FLP ASSEMBLY, 7mm ROUND
.XXX ±.010		
DESIGNED: Shane Irving	DATE: 05/22/02	PART NO: FLP5-XX.X
CHECKED: M. Chen	DATE: 05/22/02	REVISION: G
CAGE CODE : 32559		SHEET # 1 OF 1
CAD GENERATED DOCUMENT, DO NOT MEASURE DRAWING.		