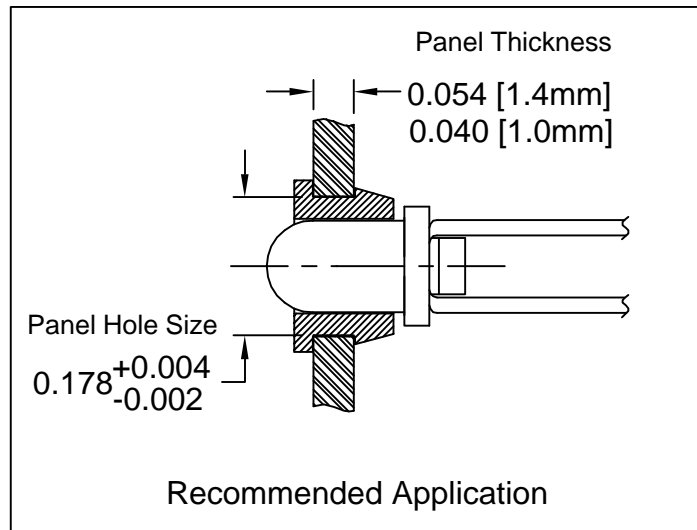
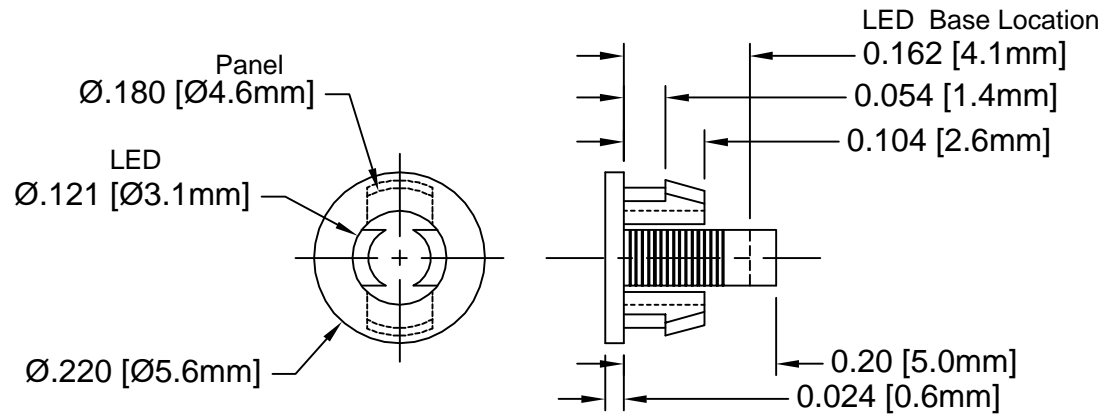




REV.	DESCRIPTION	DATE	APPROVED
D	Engineering Update w/o Changes	02/24/04	M. C.



2. MATERIAL: NYLON 6/6, 94V-0, BLACK. BIVAR MATERIAL CODE 22-BK.
RTP POLYAMIDE NYLON 6/6, 0200 FR, BLACK OR MODIFIED PLASTICS MN6/6-SE BK.
1. GENERAL SPECIFICATIONS: BIVAR MOLDED COMPONENT SPECIFICATION BV00-E101.

STANDARD TOLERANCE (UNLESS OTHERWISE SPECIFIED)		 4 THOMAS, IRVINE, CA. 92618 TEL: (949) 951-8808 FAX: (949) 951-3974	
DECIMALS	ANGULAR		
.X ± .1	X° ± 1°		TITLE: T-1 (3mm) LED SELF-RETAINING CLIP
.XX ± .01			PART NO: C-103-SR
.XXX ± .005			REVISION: D
DESIGNED: David Green	DATE: 05/23/02	CAGE CODE : 32559	SHEET # 1 OF 1
CHECKED: M. Chen	DATE: 06/03/02	CAD GENERATED DOCUMENT, DO NOT MEASURE DRAWING.	