

Features

- 1-channel
- Plugs directly in to field side of KF modules
- Analog or digital signal inputs
- Surge protection up to 10 kA
- Protects leads 1, 2 and 3 of KF modules
- Uninterruptable operation (auto reset)

Function

This Surge Protection Barrier is designed for use with K-System (KF modules).

By simply snapping the barriers into a standard KF module, the modules are safely protected against voltage surges of different origin (e. g. lightning stroke, switching impulse, etc.). This is achieved by diverting the transient current to ground and limiting the signal line voltage to a safe level for the duration of the surge.

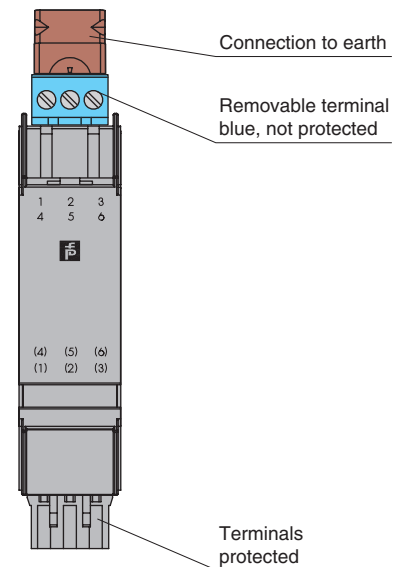
The end digits of the model designation correspond to the protected terminals of the respective KF module.

For additional information, refer to the manual and www.pepperl-fuchs.com.

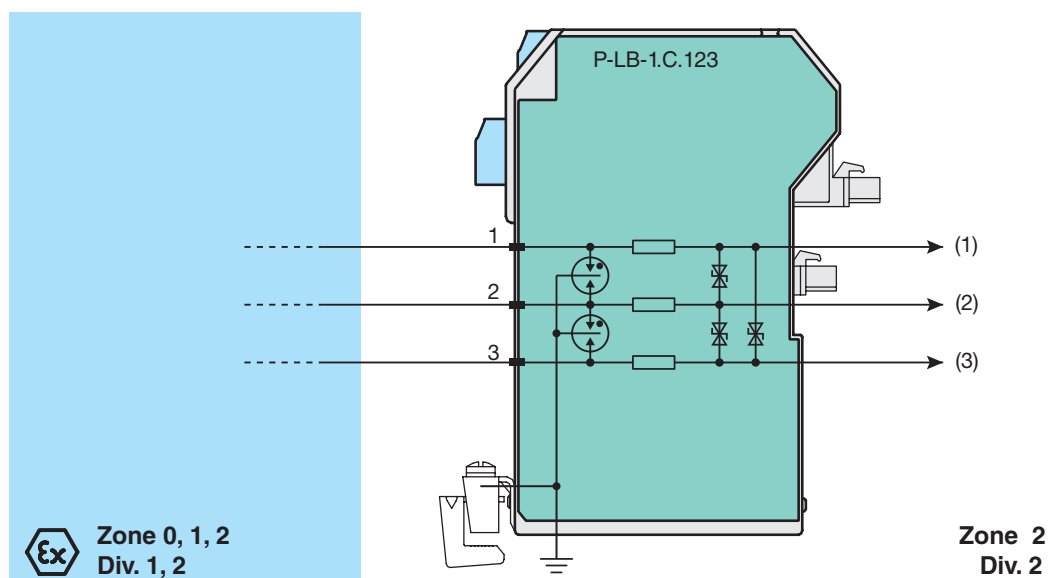
Note: Surge Protection Barriers must always be connected to a solid and effective ground and be at the same equipotential level as the instrument it is protecting. The ground system must comply with all applicable regulations.

Assembly

Front view



Connection



Release date 2013-04-19 10:05 Date of issue 2015-02-16 103641_eng.xml



Refer to "General Notes Relating to Pepperl+Fuchs Product Information".

Pepperl+Fuchs Group
www.pepperl-fuchs.com

USA: +1 330 486 0002
pa-info@us.pepperl-fuchs.com

Germany: +49 621 776 2222
pa-info@de.pepperl-fuchs.com

Singapore: +65 6779 9091
pa-info@sg.pepperl-fuchs.com

Signal lines		
Connection		terminals 1, 2, 3
Rated voltage	U_B	$\leq 30\text{ V}$
Rated current	I_B	$\leq 250\text{ mA}$
Leakage current		$\leq 5\text{ }\mu\text{A}$
On-state voltage		$\leq 45\text{ V}$
Ground insulation		$\leq 500\text{ V}$ breakdown voltage
Conformity		
Degree of protection		IEC 60529:2001
Ambient conditions		
Ambient temperature		-20 ... 60 °C (-4 ... 140 °F)
Mechanical specifications		
Degree of protection		IP20
Mass		approx. 70 g
Dimensions		20 x 62 x 115 mm (0.8 x 2.4 x 4.5 in)
Data for application in connection with Ex-areas		
EC-Type Examination Certificate		PTB 02 ATEX 2044 , for additional certificates see www.pepperl-fuchs.com
Group, category, type of protection		 II (1)G [EEx ia] IIC
Voltage	U_o	$\leq 30\text{ V}$
Current	I_i	$\leq 250\text{ mA}$
Power	P_o	$\leq 1.3\text{ W}$
Type of protection [EEx ia and EEx ib]		
Maximum leakage current		10 kA (8/20 μs) per conductor
Nominal response time		
Symmetrical		1 ns
Asymmetric		100 ns
Series resistor		$\leq 0.5\text{ }\Omega$ per wire
Bandwidth		$\geq 40\text{ kHz}$
Declaration of conformity		Pepperl+Fuchs
Group, category, type of protection, temperature class		 II 3G EEx nA II T6
Directive conformity		
Directive 94/9/EC		EN 50014, EN 50020, EN 50021
International approvals		
CSA approval		
Control drawing		116-0187 (cCSAus)
IECEX approval		IECEX BAS 12.0123
Approved for		[Ex ia Ga] IIC, [Ex ia Da] IIIC, [Ex ia Ma] I
General information		
Supplementary information		EC-Type Examination Certificate, Statement of Conformity, Declaration of Conformity, Attestation of Conformity and instructions have to be observed where applicable. For information see www.pepperl-fuchs.com .

Release date 2013-04-19 10:05 Date of issue 2015-02-16 103641_eng.xml

Refer to "General Notes Relating to Pepperl+Fuchs Product Information".

Pepperl+Fuchs Group
www.pepperl-fuchs.com

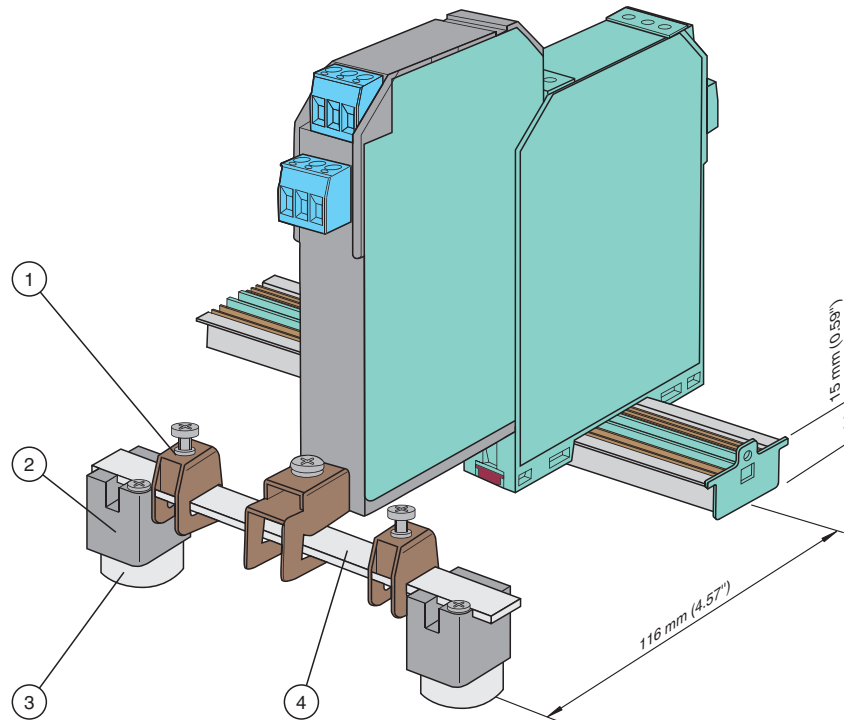
USA: +1 330 486 0002
pa-info@us.pepperl-fuchs.com

Germany: +49 621 776 2222
pa-info@de.pepperl-fuchs.com

Singapore: +65 6779 9091
pa-info@sg.pepperl-fuchs.com

Accessories

- 1 Connection terminal ZH-Z.AK16
- 2 Mounting block ZH-Z.AB/SS
- 3 Spacing roller when mounting on 35 mm DIN EN 60715 mounting rail:
 – installation height 15 mm: spacing roller ZH-Z.AR.85
 – installation height 7.5 mm: no spacing roller necessary
- 4 Grounding rail ZH-Z.NLS-Cu3/10



Keep the drilling distance of 116 mm between center mounting rail and center grounding bar.