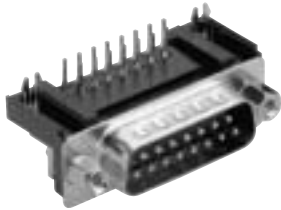


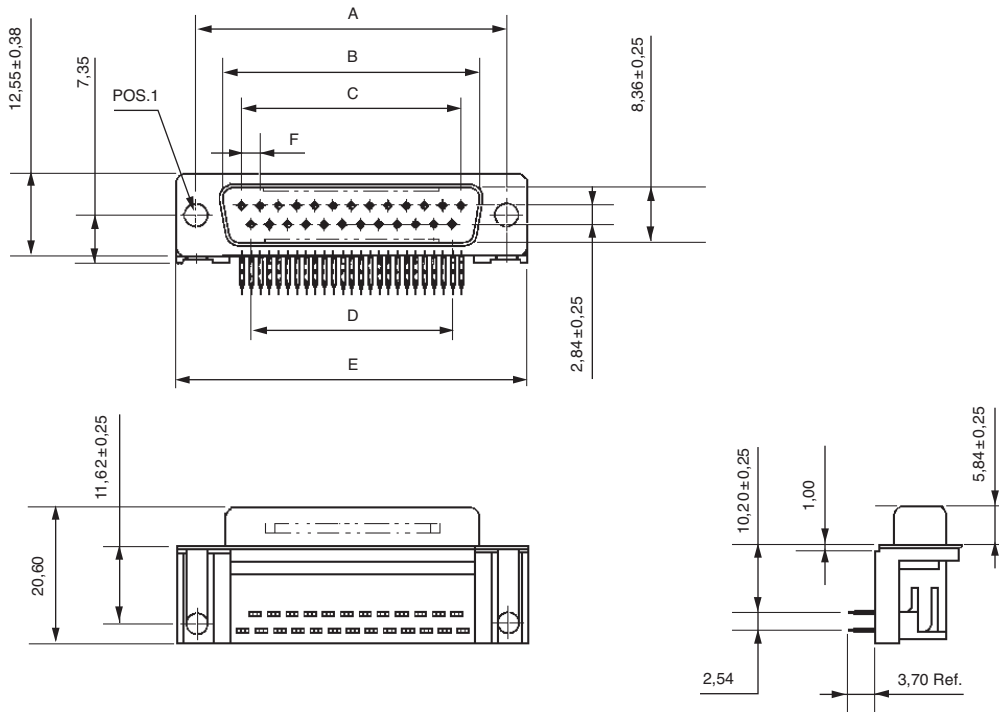
Plug 9 – 15 – 25 – 37 contacts



**Designation**

Shell size / Arrangement	Boardlock and screwlock 4-40 2B	Boardlock, threaded insert 4-40 2B
E / 9	ZDE9P-1AKN-146	ZDEL9P-1AKN-146
A / 15	ZDA15P-1AKN-146	ZDAL15P-1AKN-146
B / 25	ZDB25P-1AKN-146	ZDBL25P-1AKN-146
C / 37	ZDC37P-1AKN-146	ZDCL37P-1AKN-146

**Note:** Class 2 - Add suffix A191 Example: ZDE9P-1AKN-A191-146



Shell	A ± 0,25	B ± 0,25	C ± 0,13	D ± 0,13	E ± 0,38	F ± 0,05±0.13
E	24,99	16,92	10,96	8,22	30,89	2,74
A	33,32	25,25	19,18	16,44	39,10	2,74
B	47,04	38,96	33,24	30,47	53,09	2,77
C	63,50	55,42	49,86	47,09	69,40	2,77

- PCB hole pattern, page 35
- Panel cutout, page 39

