

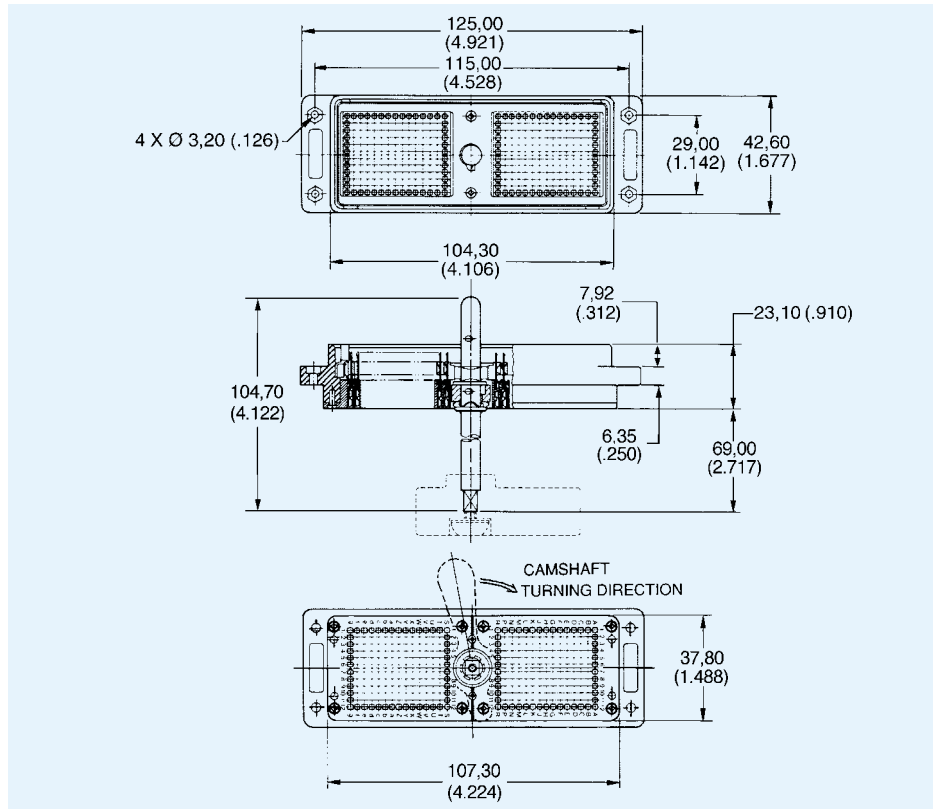
DLM6 — Metal Body — 360 Pin Connectors — Crimp Contacts

Plug



- For contact cavity arrangement, see page 69.
- For panel cutout and mounting hole pattern, see page 65.
- Crimp contacts are to be ordered separately and installed by customer, see pages 52-53.
- Order actuating handle kit separately, see page 47.

Part Number	Nomenclature
127050-0034	DLM6-360P



Receptacle

DLM6



- For contact cavity arrangement, see page 69.
- For panel cutout and mounting hole pattern, see page 65.
- Crimp contacts are to be ordered separately and installed by customer, see pages 52-53.

Part Number	Nomenclature
127050-0045	DLM6-360R

