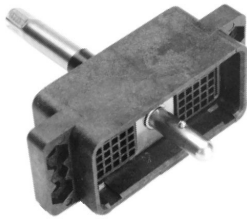
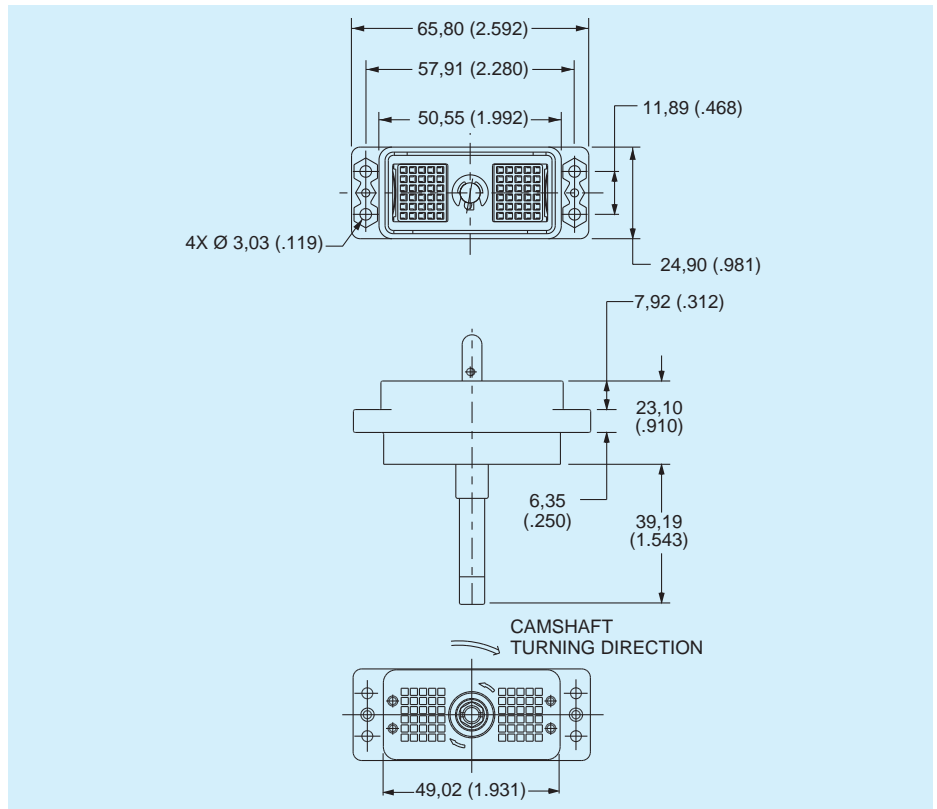


DL3 — Plastic Body — 60 Pin Connectors — Crimp Contacts

Plug

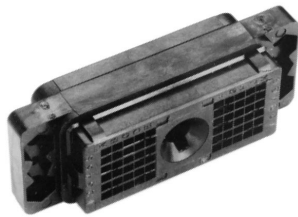


- For contact cavity arrangement, see page 68.
- For panel cutout and mounting hole pattern, see page 65.
- Crimp contacts are to be ordered separately and installed by customer, see pages 52-53.
- Order actuating handle kit separately, see page 47.

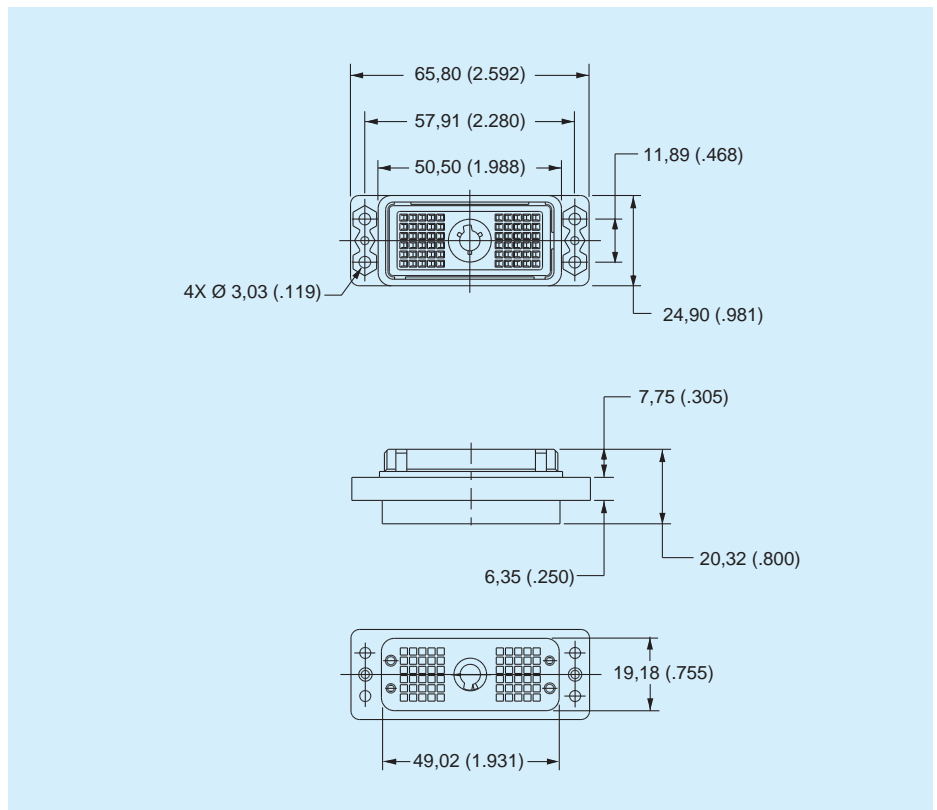


| Part Number | Nomenclature |
|-------------|--------------|
| 110900-0008 | DL3-60P      |

Receptacle



- For contact cavity arrangement, see page 68.
- For panel cutout and mounting hole pattern, see page 65.
- Crimp contacts are to be ordered separately and installed by customer, see pages 52-53.



| Part Number  | Nomenclature |
|--------------|--------------|
| 086-0032-000 | DL3-60R      |