

# VS-09-GC-ST/ST

Order No.: 1652651



<http://eshop.phoenixcontact.de/phoenix/treeViewClick.do?UID=1652651>

D-SUB contact insert, shell size 1, with nine signal contacts, contact type pin, gender changer, fixing with 4-40 UNC thread

Commercial data	
EAN	4017918952792
Pack	10 pcs.
Customs tariff	85369010
Weight/Piece	0.0091 KG
Catalog page information	Page 321 (PC-2009)

#### Product notes

WEEE/RoHS-compliant since:  
06/22/2006



<http://www.download.phoenixcontact.com>  
Please note that the data given here has been taken from the online catalog. For comprehensive information and data, please refer to the user documentation. The General Terms and Conditions of Use apply to Internet downloads.

## Technical data

Mechanical characteristics	
Number of positions	9
Insertion/withdrawal cycles	≥ 200
Type of connection	Gender changer
Ambient temperature (operation)	-55 °C ... 125 °C

**Material data**

Housing material	Steel, yellow chromated
Contact carrier material	Polyester GF
Contact material	Copper alloy
Contact surface material	Hard gold-plated over nickel
Inflammability class acc. to UL 94	V0

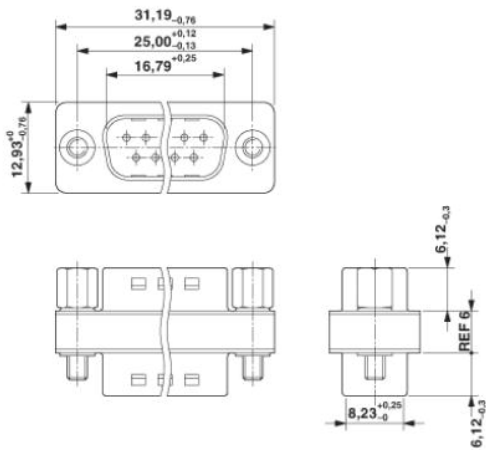
**Electrical characteristics**

Rated voltage (III/3)	125 V
Rated surge voltage	1 kV
Rated current	5 A

**Drawings**

Dimensioned drawing

Gender changer



**Address**

PHOENIX CONTACT GmbH & Co. KG  
Flachmarktstr. 8  
32825 Blomberg, Germany  
Phone +49 5235 3 00  
Fax +49 5235 3 41200  
<http://www.phoenixcontact.com>



© 2009 Phoenix Contact  
Technical modifications reserved;