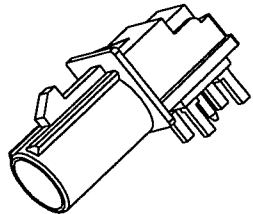
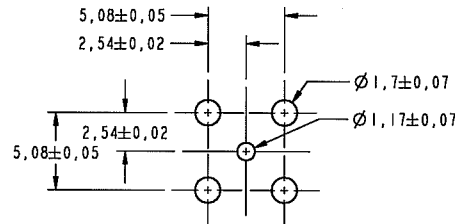
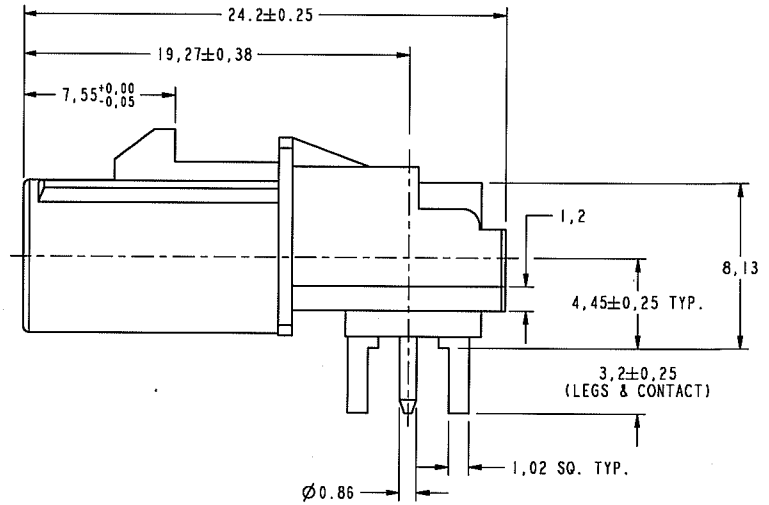
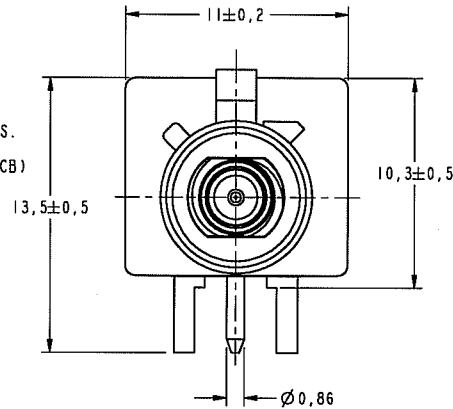


NOTES:

1. MATERIALS AND FINISHES:
 - BODY - ZINC DIECAST (ZAMAK #3, ASTM-B86) - GOLD PL 3 MIN. THICK OVER NICKEL PL. 100 MIN. THICK OVER COPPER PL. 300 MIN. THICK.
 - CONTACT - BRASS (ASTM-B16 H02, C36000) - GOLD PL. 30 MIN. THICK OVER NICKEL PL. 100 MIN. THICK OVER COPPER STRIKE.
 - INSULATORS (3) - PTFE PER ASTM D 1710 OR EQUIV.
 - HOUSING - NYLON 66 ,GLASS FILLED 30%, COLOR: (SEE TABLE BELOW)
2. ELECTRICAL:
 - A. IMPEDANCE = 50 OHM
 - B. FREQUENCY RANGE = DC TO 2.5 GHz
3. MECHANICAL:
 - A. DURABILITY = 100 CYCLES MIN.
 - B. TEMPERATURE RANGE = -65° C TO +125° C
 - C. HOUSING RETENTION = 10.0 LBS. MIN.
4. PACKAGING:
 - A. QUANTITY: 100 PCS. PER BAG
 - B. BAG MARKING: AMPHENOL
FAI-NXRP-PCB-6B (SEE TABLE)
DATE CODE (YYWW)
QTY: 100
5. HEATING STAGE: RECOMMEND SOLDERING TEMPERATURE 210°C WITHIN 30 SECONDS.
6. PROCESSING TEMPERATURE : 290°C MAX. (AIR TEMPERATURE ON TOP OF PCB)
7. SOLDERING TEMPERATURE: 270°C MAX. (SOLDER TEMPERATURE ON BOTTOM OF PCB)

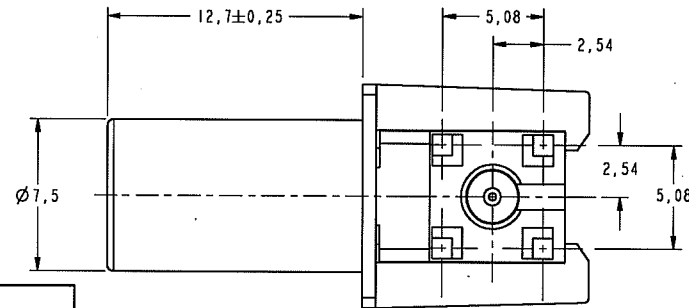


SCALE 2.000



RECOMMENDED PCB MOUNTING PATTERN

SCALE 3.000



CONFIGURATION CONTROL:
NO CHANGES PERMITTED TO DRAWING WITHOUT
PPAP QUALIFIED CUSTOMER APPROVAL

CUSTOMER OUTLINE DRAWING

ALL OTHER SHEETS ARE FOR INTERNAL USE ONLY

CODING	COLOR	RAI NUMBER	DRAWING NO.
A	JET BLACK	9005	FAI-NARP-PCB-6B
B	CREAM	9001	FAI-NBRP-PCB-6B
C	SIGNAL BLUE	5005	FAI-NCRP-PCB-6B
D	CLARET VIOLET	4004	FAI-NDRP-PCB-6B
E	LEAF GREEN	6002	FAI-NERP-PCB-6B
F	NUT BROWN	8011	FAI-NFRP-PCB-6B
G	BLUE GREY	7031	FAI-NGRP-PCB-6B
H	HEATHER VIOLET	4003	FAI-NHRP-PCB-6B
I	BEIGE	1001	FAI-NIRP-PCB-6B
K	CURRY	1027	FAI-NKRP-PCB-6B
L	CARMINE RED	3002	FAI-NLRP-PCB-6B
M	PASTELORANGE	2003	FAI-NMRP-PCB-6B
N	PASTEL GREEN	6019	FAI-NNRP-PCB-6B
Z	WATER BLUE	5021	FAI-NZRP-PCB-6B

UNLESS OTHERWISE SPECIFIED, DIMENSIONS ARE IN METRIC AND TOLERANCES ARE:
0.5 - 6mm ±0.1mm
6 - 30mm ±0.2mm
30 - 120mm ±0.3mm
ANGLES ±1°

NOTICE - These drawings, specifications, or other data (1) are, and remain the property of Amphenol Corp., (2) must be returned upon request; and (3) are confidential and not to be disclosed to any person other than those to whom they are given by Amphenol Corp., the furnishing of these drawings, specifications, or other data by Amphenol Corp., or to any other person to anyone for any purpose is not to be regarded by implication or otherwise in any manner licensing, granting rights to permitting such holder or any other person to manufacture, use or sell any product, process or design, patented or otherwise, that may in any way be related to or disclosed by said drawings, specifications, or other data.

MATERIAL	DRAWN EVAN	DATE 22-Jan-08	TITLE FAKRA PLUG, R/A, PCB, KEY CODES A-Z (HOUSING INSTALLED)		Amphenol RF Danbury CT USA, Tainan, Taiwan, Shenzhen, China www.amphenolrf.com
REFERENCE FAI-NXRP-PCB-6A	ENGINEER JERRY	DATE 22-Jan-08	SCALE: 4.0:1.0	SHEET 2 OF 2	
FINISH	APPROVED S.HSIEH	DATE 05-Mar-08	DWG SIZE B	CODE ID 74868	DRAWING NO. FAI-NXRP-PCB-6B
	I:\FAKRA\FAI-NXRP-PCB-6B		REV B		ITEM NO. FAI-NXRP-PCB-6B
					PART NO. FAI-NXRP-PCB-6B

THIRD ANGLE PROJ.

REVISIONS

REV	DESCRIPTION	DATE	ECO	APPR
A	RELEASE TO MFG.	3/5/08	46965	ET
B	SEE SHEET 1	17-Nov-08	45685	