

For new constructions:
Series "E2/1000"
3400/3500 ▶ page 5.108

igus® E-ChainSystems®

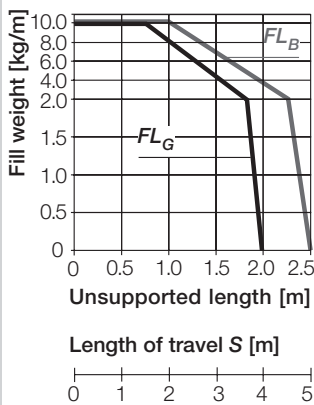
Phone +49- (0) 22 03-96 49-800
Fax +49- (0) 22 03-96 49-222

igus® GmbH
51147 Cologne

Series 340 · 350 E2 medium

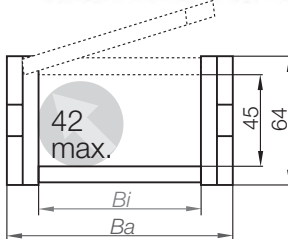
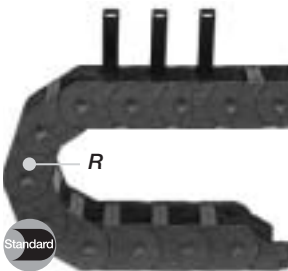
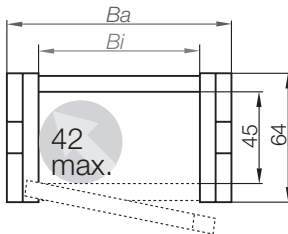
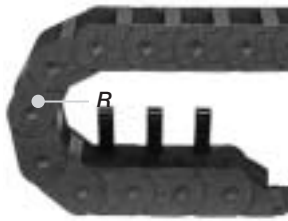
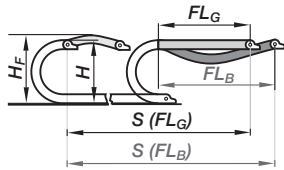


- 1 Double stop dog for long unsupported length
- 2 Large pins for long service life
- 3 Lateral glide surfaces for side-mounted operation
- 4 Available with extender crossbars for large hoses
- 5 Cable-friendly, smooth interior
- 6 Integrated strain relief possible
- 7 Series 340 snap-open along inner radius can be combined with Series 350 snap-open along outer radius, accessible from the top
- 8 Dirt-repellent, contoured exterior



Unsupported length

FL_G = with straight upper run
 FL_B = with permitted sag



Series 340 - snap-open along inner radius

Part No.	B_i [mm]	B_a [mm]	R [mm] Bending Radii
340.050.□.0	50	70	075 100 125
340.075.□.0	75	95	150 200 250
340.100.□.0	100	120	300
340.115.□.0	115	135	
340.125.□.0	125	145	
340.150.□.0	150	170	
340.175.□.0	175	195	
340.200.□.0	200	220	
340.225.□.0	225	245	
340.250.□.0	250	270	

Radii for all widths!

Supplement Part No. with required radius. Example: 340.050.100.0
Bending radii listed above can be combined with every chain width!

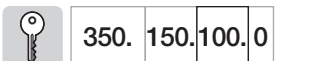
Series 350 - snap-open along outer radius

Part No.	B_i [mm]	B_a [mm]	R [mm] Bending Radii
350.050.□.0	50	70	075 100 115*
350.075.□.0	75	95	125 150 200
350.100.□.0	100	120	250 300
350.115.□.0	115	135	
350.125.□.0	125	145	
350.150.□.0	150	170	
350.175.□.0	175	195	
350.200.□.0	200	220	
350.225.□.0	225	245	
350.250.□.0	250	270	

Radii for all widths!

Supplement Part No. with required radius. Example: 350.150.100.0
Bending radii listed above can be combined with every chain width!

Part No. structure



Color black
Bending radius
Width
Series

Order example 5,0 m complete E-Chain®
(indicate chain-lengths or number of links)

5,0 m (75 links) **Series 350.150.100.0**

+ 2 separators **311** assembled each 2nd link

+ 1 set mounting brackets + tie-wrap plates **3150.34PZB**

Extender Crossbar

Extension for Series 340/350 E2 medium - For large hoses and enlarged inner heights ▶ page 12.14



Series 340 · 350 E2 medium

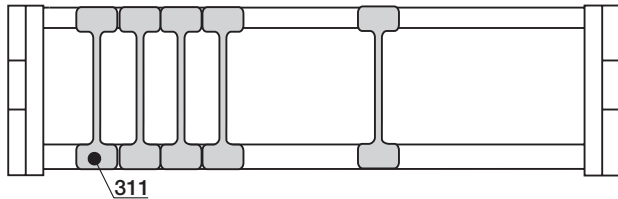
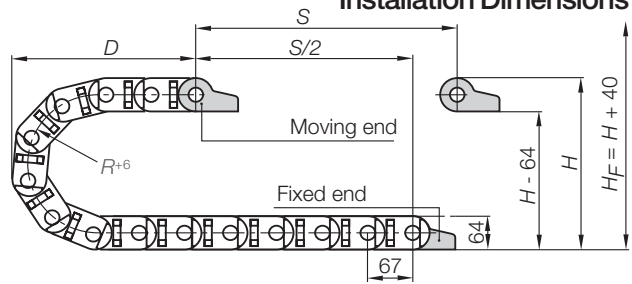
Pitch = 67 mm Links per m = 15 Chain length = $S/2 + K$

R	075	100	115*	125	150	200	250	300
H+5	215	265	294	315	365	465	565	665
D	150	200	215	225	250	300	350	400
K	400	500	550	650	725	875	1050	1225

The required clearance height is $H_F = H + 40$ mm (with 2,5 kg/m fill weight). Please consult igus® if space is particularly restricted.

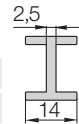
* not for Series 350.100

Installation Dimensions



Vertical Separator

unassembled	301
assembled	311



Interior Separation

(the complete range ▶ 5.108)

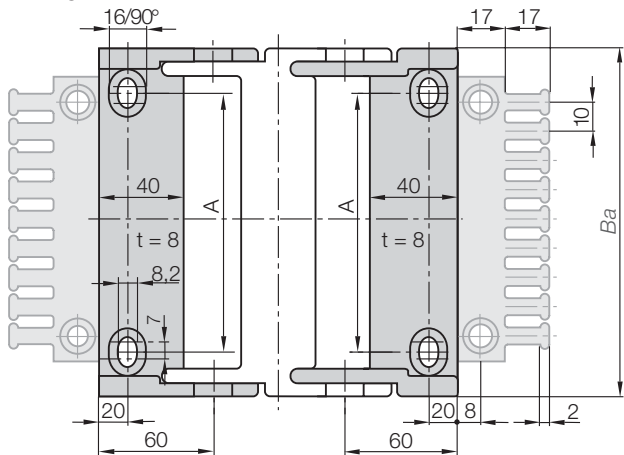


3...3PZ(B)

Moving end

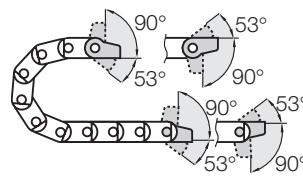
3...4PZ(B)

Fixed end



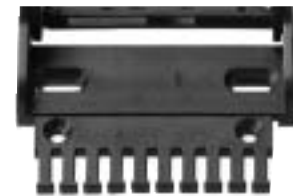
Moving end (with bore)

3...3PZ(B)



3...4PZ(B)
Fixed end (with pin)

Mounting Brackets

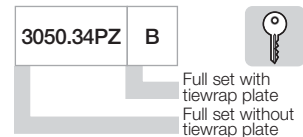


Polymer pivoting, with or without strain relief tiewrap plates

For E-Chain®	Part No. full set with tiewrap plate	Part No. with tiewrap plate + 10 cable tiewraps	Part No. full set without tiewrap plate	Dimension A [mm]
340/350.050.	3050.34PZB	3050.34PZBK1	3050.34PZ	28
340/350.075.	3075.34PZB	3075.34PZBK1	3075.34PZ	53
340/350.100.	3100.34PZB	3100.34PZBK1	3100.34PZ	78
340/350.115.	3115.34PZB	3115.34PZBK1	3115.34PZ	93
340/350.125.	3125.34PZB	3125.34PZBK1	3125.34PZ	103
340/350.150.	3150.34PZB	3150.34PZBK1	3150.34PZ	128
340/350.175.	3175.34PZB	3175.34PZBK1	3175.34PZ	153
340/350.200.	3200.34PZB	3200.34PZBK1	3200.34PZ	178
340/350.225.	3225.34PZB	3225.34PZBK1	3225.34PZ	203
340/350.250.	3250.34PZB	3250.34PZBK1	3250.34PZ	228

Tiewrap plates are possible at the moving end and/or the fixed end!

Part No. structure



Full set, for both ends:
3050.34PZB (+ tiewrap plates)

Single-part order:
3050.3PZB (+ tiewrap plates)

Mounting bracket with bore
3050.4PZB (+ tiewrap plates)

Mounting bracket with pin



Interior separation with full-width shelves and shelves



Mounting bracket polymer locking available



KMA mounting bracket available with C-profile

Additional Features

For more features
▶ see link below



E2 medium classic
Inner height: 45 mm

Phone +49- (0) 22 03-96 49-800
Fax +49- (0) 22 03-96 49-222



▶ chapter 10

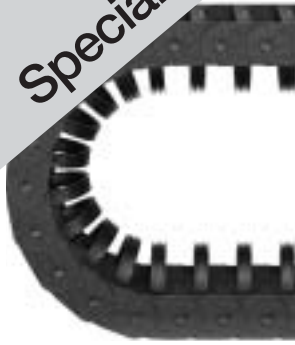


▶ chapter 9

340/350
Special Solution

Extender Crossbar for Series 340 · 350

igus® E-ChainSystems®



340.150...



340.175...



350.150...



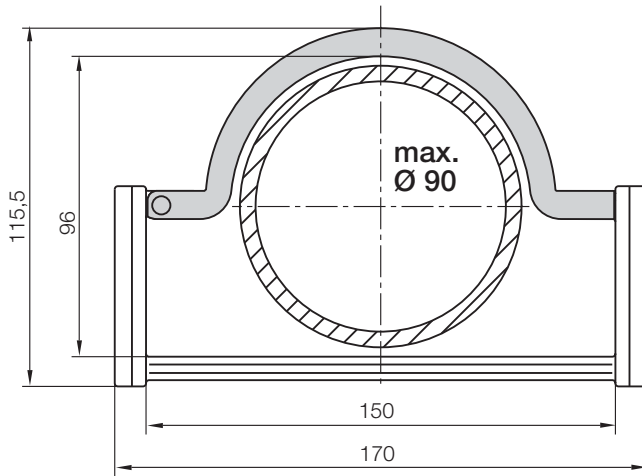
350.175...

Extender Crossbar Series 340/350 E2 medium - for larger hoses or increased inner chain heights

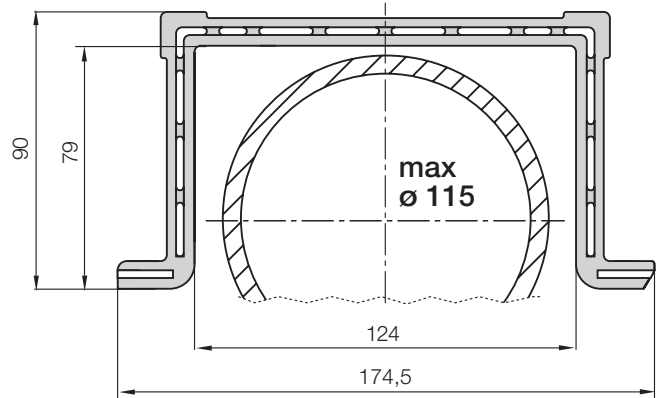
igus® Extender Chains were developed to provide a very smooth hose guidance. This type of extender chain is suitable for hoses with an outside diameter up to 115 mm. Hose guidance for inside radius (Series 350) as well as outside radius (Series 340) can be easily managed. Based on its design, a smooth movement of the chain is only possible with outside radius guidance. If outside radius guidance is used, the extenders of the chain links must be supported separately to avoid touching down on the surface below. We gladly assist you with your selection for a suitable guide troughs and your system's design.

Phone +49- (0) 22 03-96 49-800
Fax +49- (0) 22 03-96 49-222

igus® GmbH
51147 Cologne



Cross section of a chain link with rounded extender crossbar. Crossbar Part No.: 350.150.D090



Cross section of a chain link with square extender crossbar. Crossbar Part No.: 350.175.D115*

For E-Chain® Series	Ø max. hoses [mm]	Fastening method	Form	Bending Radii [mm]
340.150.	90	inner radius	round	150 200 250 300
340.175.	115	inner radius	square	200 250 300
350.150.	90	outer radius	round	075 100 125 150 200 250
350.175.	115	outer radius	square	075 100 125 150 200 250

*Part No. 350.175.RD115 also available with rounded extender bars. Extenders suitable for Series 3400/3500. Please contact us for further information.

Part No. structure (extender crossbar)



350. 150. D090. 100 0

- Color black
- Radius
- Crossbar inside Ø
- Width
- Series



Order example 5,0 m complete E-Chain®

(indicate chain-lengths or number of links)

5,0 m (75 links) Series 350.150.D090.100.0

+ 1 set mounting brackets + tiwrap plates 3150.34PZB

