

3A to 60A, 250VAC EMI Filters

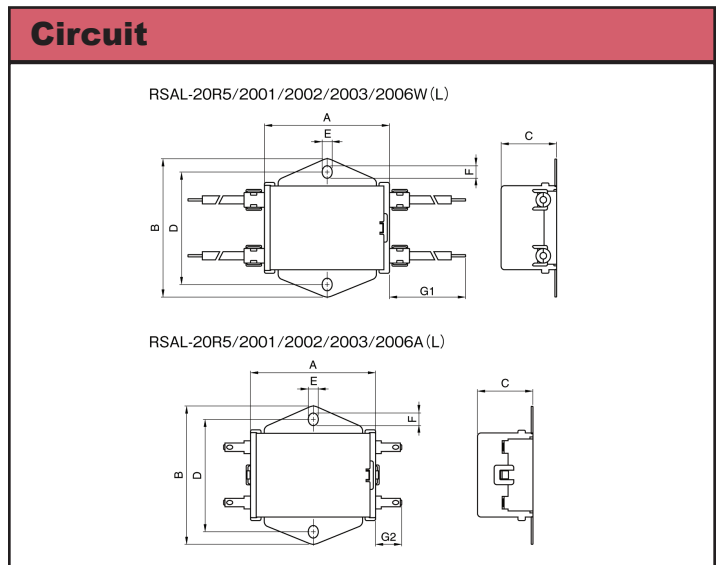
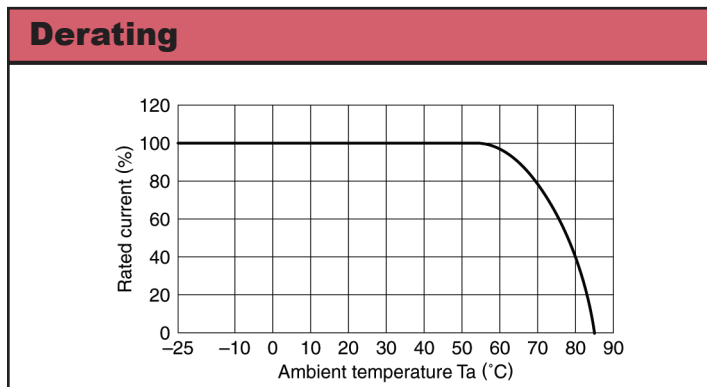
Features

- ◆ High Voltage Pulse Attenuation
- ◆ DIN Rail Mount Option (Up 30A)
- ◆ Low Earth Leakage Current Option (Up to 30A)
- ◆ Conforms to UL, CSA and EN Safety Agency Certifications



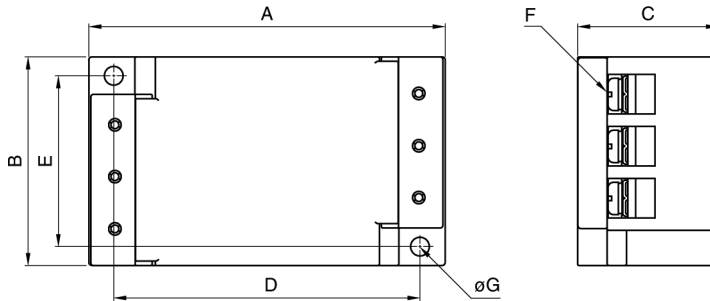
Specifications						
Model		RSAN-2003 RSAN-2003D RSAN-2003L	RSAN-2006 RSAN-2006D RSAN-2006L	RSAN-2010 RSAN-2010D RSAN-2010L	RSAN-2016 RSAN-2016D RSAN-2016L	RSAN-2020 RSAN-2020D RSAN-2020L
Rated Voltage (AC, DC)	V	250V				
Rated Current	A	3A	6A	10A	16A	20A
Withstand Voltage	V	Terminals to Case: 2500VAC (1 Minute)				
Isolation Resistance	MΩ	100MΩ minimum (500VDC, 1 Minute)				
Leakage Current (max)	A	RSAN-20xx 1mA; RSAN20xxL 10uA (250VAC, 60Hz)				
DC Resistance (total)	mΩ	250	110	40	20	10
Model		RSAN-2030 RSAN-2030D RSAN-2030L	RSAN-2040	RSAN-2050	RSAN-2060	
Rated Voltage (AC, DC)	V	250V				
Rated Current	A	30A	40A	50A	60A	
Withstand Voltage	V	Terminals to Case: 2500VAC (1 Minute)				
Isolation Resistance	MΩ	100MΩ minimum (500VDC, 1 Minute)				
Leakage Current (max)	A	RSAN-20xx 1mA; RSAN20xxL 10uA (250VAC, 60Hz)				
DC Resistance (total)	mΩ	6	6	4	3	
Operating Temperature	°C	-25 to +85°C (Derate above 55°C, see derating curve)				
Storage Temperature	°C	-25 to +85°C				
Safety Agency Certifications	-	UL1283, CSA C22.2 No.8, EN60939				
Weight	g	170g to 870g model dependant (See weights chart on website)				
Warranty	yr	1 Year				

Options	
Chassis Mount & Standard Leakage Current	RSAN-20xx
DIN Rail Mount & Standard Leakage Current	RSAN-20xxD
Chassis Mount & Low Leakage Current	RSAN-20xxL

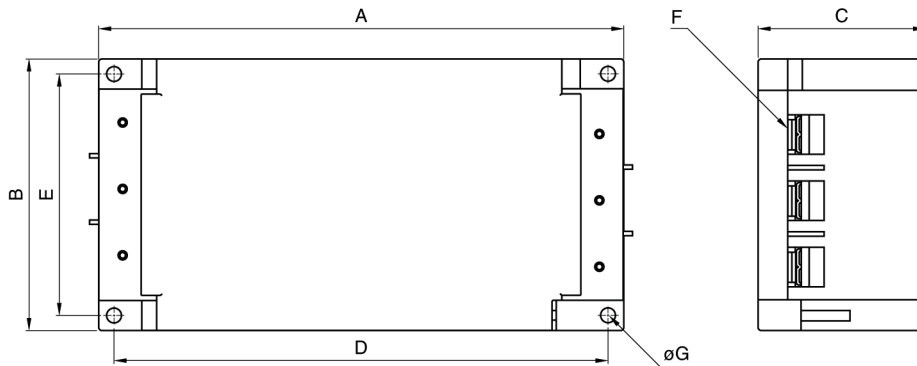


Outline Drawing

RSAN-2003/2006/2010/2016/2020/2030



RSAN-2040/2050/2060



Dimensions in mm

Part No.	A	B	C	D	E	F	ϕ G	Recommended clamping torque
RSAN-2003	87	52	35	75	43	M4	4.5	1.27N · m
RSAN-2006								
RSAN-2010								
RSAN-2016								
RSAN-2020								
RSAN-2030								
RSAN-2040	170	90	54	160	80	M5	4.5	2.5N · m
RSAN-2050								
RSAN-2060								

For Additional Information, please visit us.tdk-lambda.com/lp/products/r-series.htm

