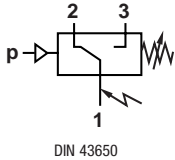


Herion 18D

Hydraulic pressure switches (piston type)

70 to 6100 psi psi



- Adjustable setpoint
- Gold-plated contacts
- Vibration resistant to 15 g
- Microswitch approved by UL and CSA

Technical data

Medium
Hydraulics, lubricating and light fuel oils

Operation

Piston

Mounting position

Optional

Operating pressure

70 to 6100 psi

Over pressure

5800 psi,

08824xx: 8700 psi

Ambient temperature

-4°F to 175°F (-20°C to +80°C)

Viscosity

Up to 1000 mm²/s (±450 ssu).

Fluid temperature

-4°F to 175°F (-20°C to +80°C)

Repeatability

±3%

Electrical connection

DIN 43 650

Switching element

Microswitch

Degree of protection

IP 65

Weight

.2 lbs (0.2 kg)

Materials

Housing aluminum

Port: stainless steel

Seals: Teflon/Buna-N



Model numbers - hydraulic applications

Port Size	Type	Pressure Range psi (bar)	Switching Pressure Difference (Hysteresis)*		Model	Dimension Drawing No.
			Lower Range	Upper Range		
-	flange	70 – 1015 (5 – 70)	152 (10.5)	218 (15)	0883100	2
7/16-20 UNF	female	70 – 1015 (5 – 70)	152 (10.5)	218 (15)	0882119	1
1/4 NPT	female	70 – 1015 (5 – 70)	152 (10.5)	218 (15)	0882120	1
-	flange	150 – 2320 (10 – 160)	160 (11)	247 (17)	0883200	2
7/16-20 UNF	female	150 – 2320 (10 – 160)	160 (11)	247 (17)	0882219	1
1/4 NPT	female	150 – 2320 (10 – 160)	160 (11)	247 (17)	0882220	1
-	flange	360 – 3600 (25 – 250)	160 (11)	247 (17)	0883300	2
7/16-20 UNF	female	360 – 3600 (25 – 250)	160 (11)	247 (17)	0882319	1
1/4 NPT	female	360 – 3600 (25 – 250)	160 (11)	247 (17)	0882320	1
-	flange	580 – 6100 (40 – 420)	247 (17)	508 (35)	0883400	2
7/16-20 UNF	female	580 – 6100 (40 – 420)	247 (17)	508 (35)	0882419	1
1/4 NPT	female	580 – 6100 (40 – 420)	247 (17)	508 (35)	0882420	1

Note: Switches are supplied with DIN 43650 mating connector

* Switching pressure difference (hysteresis) is not adjustable. Maximum values are shown.

Herion 18D

Hydraulic pressure switches

Vac - 435 psi

Making And/Or Breaking Capacity

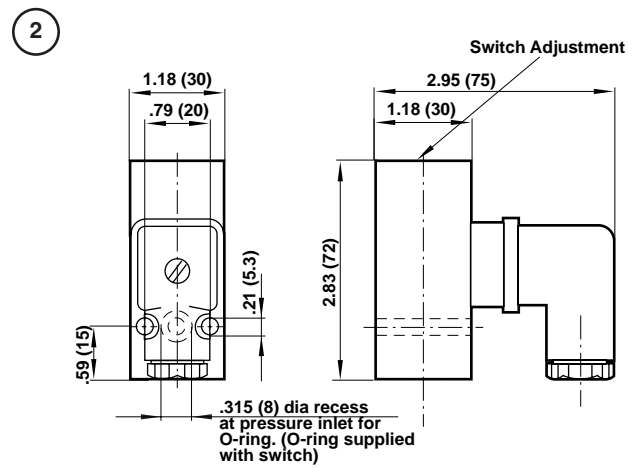
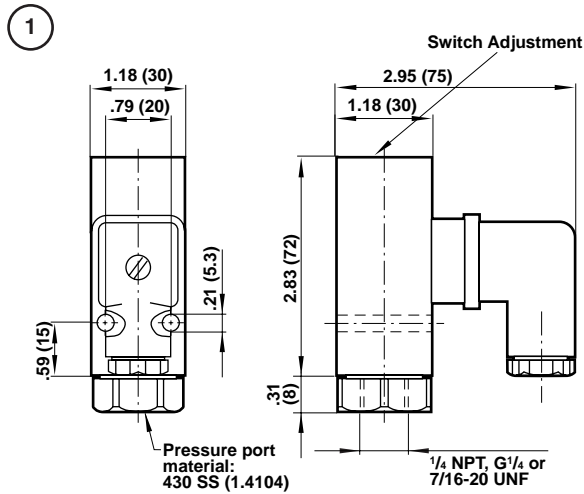
Load Level*	Type of Current	Type of Load	Vmin [V]	Maximum Permanent Current I _{max} [A] at V			Contact life	
				24 V	125 V	250 V	electrical at I _{max}	mechanical at I = 0
Standard (relays, solenoids)	AC	Resistive	12	5	5	5	5 x 10 ⁴ switching cycles	approx 10 ⁷ switching cycles
	AC	Inductive PF = .7	12	3	3	3		
	DC	Resistive	12	5	.4	-		
	DC	Inductive L/R = 10 ms	12	3	.05	-		
Low (electronic circuits)	AC	Resistive	5	.34	.08	.04	2 x 10 ⁵ switching cycles	approx 10 ⁷ switching cycles
	DC	Inductive L/R = 10 ms	5	.1	-	-		

*Load Level Explanation

Series 18D Pressure Switches have microswitch contacts with gold-plating over silver base metal. The gold plating remains intact when "low level" voltage / current levels are observed. This feature assures highly reliable switching in low-level electronic circuits. Standard applications do not require the gold plating – which will decay naturally when switching larger electrical loads.

Notes:

- Reference conditions: 30 cycles per min and 86°F (30°C) ambient.
- Reducing load current to 50% of I max approximately doubles contact life.
- Creepage and clearance distances correspond to insulation group B per VDE Reg. 0110 (except contact clearance of microswitch).



Protective Cover

An optional elastomer cover for protection of the switch adjustment against dirt and splashing liquids Part No. 0554737

