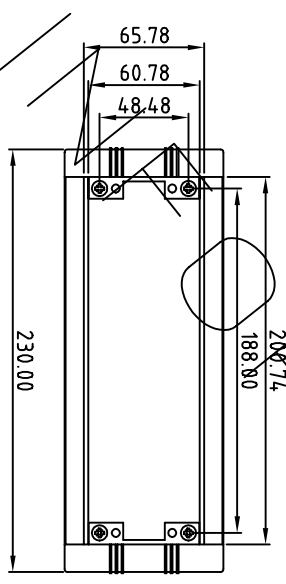
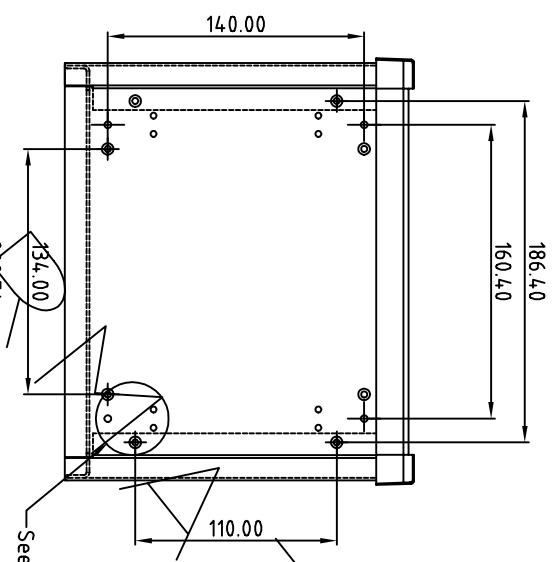
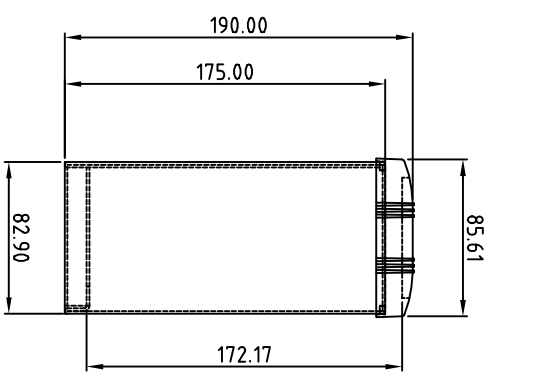
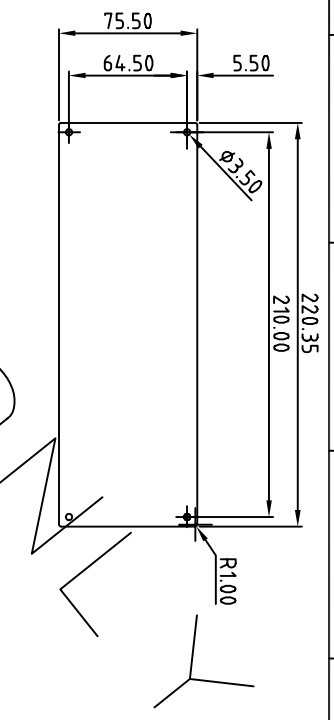
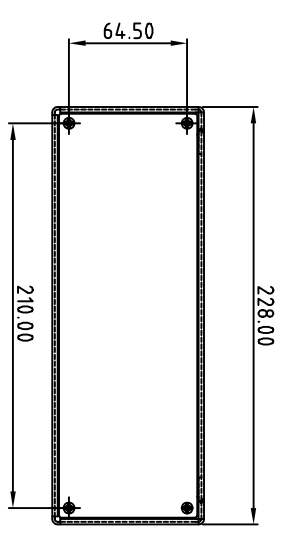
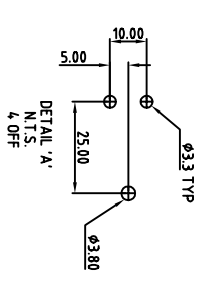


FIRST ANGLE PROJECTION



See Detail 'A'



Note: Subject to technical modifications without prior notice.
 Typographical and other errors do not justify any claim for damages.
 All dimensions should be verified using the actual case.

Tolerances unless otherwise stated:

General tolerances ± 0.20

Resultant tolerances between hole centers ± 0.15

Tolerances on hole diameters ± 0.05

Angles $\pm 0.5^\circ$

Surface finish $\sqrt{32}$

ALL DIMENSIONS IN MILLIMETRES

DO NOT SCALE

Required Finish	Scale	1:4	ALL DIMENSIONS IN MILLIMETRES		Material Spec.
Drawn by	Mark Jeffery	Checked by	Drawing Number	M5223105	Date of issue
					04/04/01



OKW ENCLOSURES LTD
 Unit 6, Kingdom Close, Segensworth East
 Farham, Hampshire, UK, PO15 5TJ

Part Name
 Uninet Size 2

Part Number
 M5223105

OKW ENCLOSURES LTD DATE AS SHOWN. THIS DRAWING CONTAINS PROPRIETARY INFORMATION OF OKW ENCLOSURES LTD AND IS TENDERED SUBJECT TO THE FOLLOWING CONDITIONS: THE INFORMATION IS RETAINED IN CONFIDENCE, NOT BE REPRODUCED OR COPIED, AND NOT BE USED OR INCORPORATED IN ANY PRODUCT, UNLESS PERMISSION IS OBTAINED IN WRITING FROM OKW ENCLOSURES LTD.

Sheet 1 of 1

A4

FOR