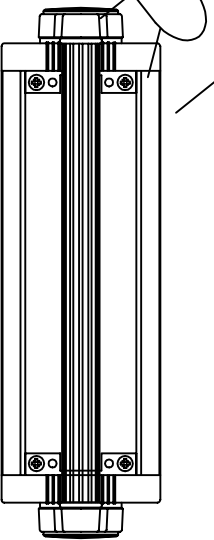
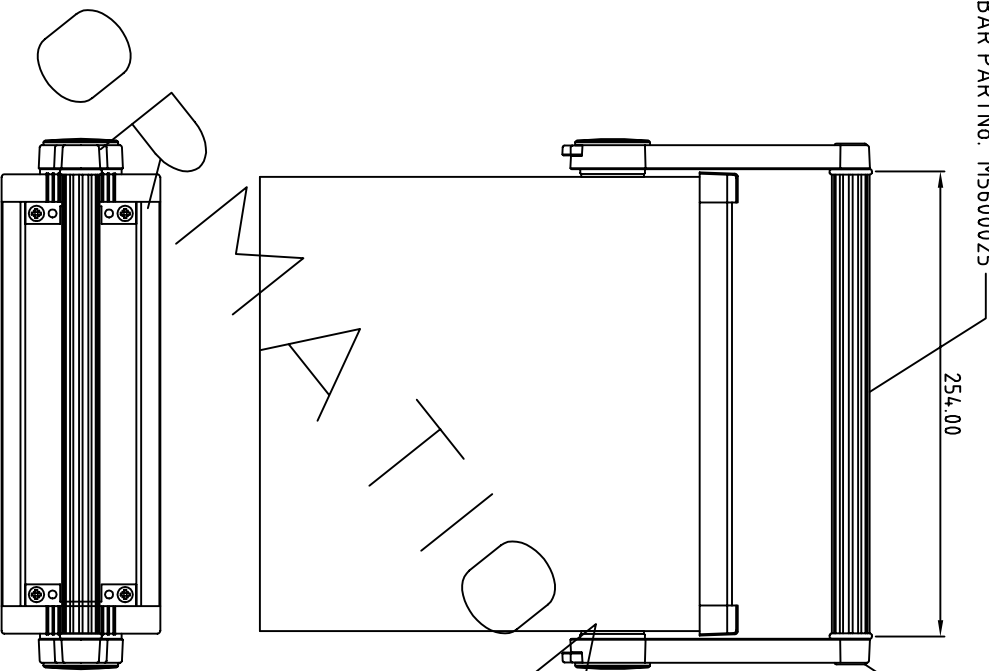
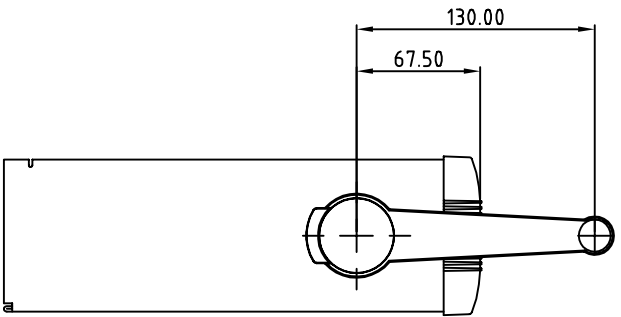


FIRST ANGLE PROJECTION

HANDLE BAR PARTNO. M5600025

Modifications	lss
	1



Note: Subject to technical modifications without prior notice.
Typographical and other errors do not justify any claim for damages.
All dimensions should be verified using the actual case.

FOR

IN

OWN

Tolerances unless otherwise stated:

- General tolerances ± 0.20
- Resultant tolerances between hole centers ± 0.15
- Tolerances on hole diameters ± 0.05
- Angles $\pm 0.5^\circ$
- Surface finish $\sqrt{32}$

Required Finish

Scale 1:4

ALL DIMENSIONS IN MILLIMETRES

DO NOT SCALE

Drawn by: Mark Jeffery

Checked by:

Drawing Number

Size: 3 Handle Assy

Date of issue: 10/05/01

Material Spec:



OKW ENCLOSURES LTD
Unit 6, Kingdom Close, Segensworth East
Fareham, Hampshire, UK, PO15 5TJ

Part Name: Unimet Size 3 with Handle

Sheet 1 of 1

OKW ENCLOSURES LTD DATE AS SHOWN. THIS DRAWING CONTAINS PROPRIETARY INFORMATION OF OKW ENCLOSURES LTD AND IS TENDERED SUBJECT TO THE FOLLOWING CONDITIONS: THE INFORMATION BE RETAINED IN CONFIDENCE, NOT BE REPRODUCED OR COPIED, AND NOT BE USED OR INCORPORATED IN ANY PRODUCT, UNLESS PERMISSION IS OBTAINED IN WRITING FROM OKW ENCLOSURES LTD.

A4