

# PANEL MOUNT INDICATOR, NON-RELAMPABLE

## LED TECHNOLOGY

MOUNTING HOLE, Ø 0.500"

PART NO.	LENS COLOR	VOLTAGE	CURRENT [mA]	RATED LIFE HOURS
<b>LED 6V SERIES</b>				
WL-6391Q2C1-6V	RED	5V-6V	20mA	100,000
WL-6391Q2C3-6V	AMBER	5V-6V	20mA	100,000
WL-6391Q2C5-6V	GREEN	5V-6V	20mA	100,000
WL-6391Q2C6-6V	BLUE	5V-6V	20mA	100,000
WL-6391Q2C4-6V	WHITE	5V-6V	20mA	100,000
<b>LED 12V SERIES</b>				
WL-6391Q2C1-12V	RED	12V-14V	20mA	100,000
WL-6391Q2C3-12V	AMBER	12V-14V	20mA	100,000
WL-6391Q2C5-12V	GREEN	12V-14V	20mA	100,000
WL-6391Q2C6-12V	BLUE	12V-14V	20mA </td <td>100,000</td>	100,000
WL-6391Q2C4-12V	WHITE	12V-14V	20mA	100,000
<b>LED 24V SERIES</b>				
WL-6391Q2C1-24V	RED	24V-28V	20mA	100,000
WL-6391Q2C3-24V	AMBER	24V-28V	20mA	100,000
WL-6391Q2C5-24V	GREEN	24V-28V	20mA	100,000
WL-6391Q2C6-24V	BLUE	24V-28V	20mA	100,000
WL-6391Q2C4-24V	WHITE	24V-28V	20mA	100,000

## NOTES

1. Recommended panel thickness 0.031" to 0.125"
2. .250 x .032 terminals are standard
3. Storage temperature  
 $T_{STG}$ : -25°C - +80°C
4. Ambient temperature  
 $T_A$ : -20°C - +60°C
5. Voltage tolerance  
 $V_{OP}$ : ±10%
6. DC operation only
7. Body material  
Polycarbonate, white
8. Lens material  
Polycarbonate
9. Bezel material  
Stainless steel
10. Terminals  
Quick-connect, tinned brass
11. Gaskets  
Buna-N
12. Mounting hardware (nut, lock washer, and gasket) included

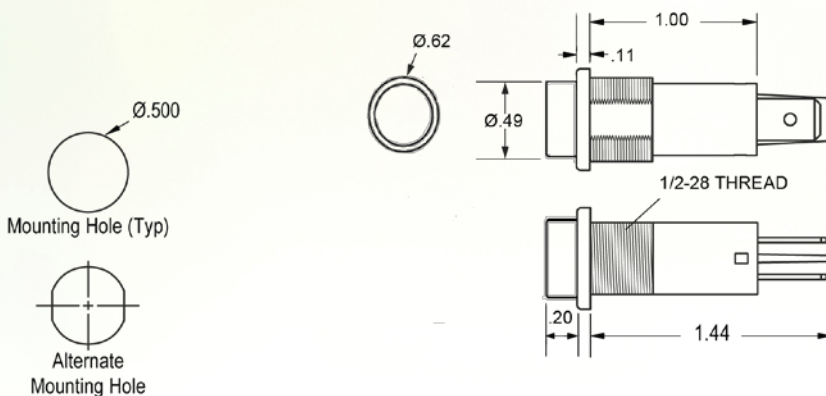
## CERTIFICATIONS

UL (E340667), RoHS



- ▶ Splash proof
- ▶ Outdoor applications
- ▶ NEMA 3-R

## DIMENSIONAL CHARACTERISTICS



## OPTIONS

Additional options and lens styles available. Please contact Wamco for more information.

