

Shock-Safe Fuseholder, 5 x 20 mm, Slotted Cap/Fingerrip, IP 40 / IP 67, IEC 60335-1



Fingerrip

250 VAC · 2.5W/10A (VDE) · 400V · 16A (UL/CSA)



Description

- Meets the new requirements of IEC 60335-1 for appliances in unattended use (clause 30.2.3). This includes the enhanced requirements of glow wire tests acc. to IEC 60695-2-12 and -13.
- Compact design
- Heading with fingerrip and slotted available
- Degree of protection IP 67 available
- White color available on request

Standards

- IEC 60127-6
- UL 4248-1
- CSA C22.2 no. 4248.1

Approvals

- Approval Reference Type: FPG1
- VDE Certificate Number: 127216
- UL File Number: E39328


Applications

- Household appliances
- Medical equipment

Weblinks


[pdf datasheet](#), [html-datasheet](#), [General Product Information](#), [Packaging details](#), [Approvals](#), [CE declaration of conformity](#), [RoHS](#), [CHINA-RoHS](#), [REACH](#), [Distributor-Stock-Check](#), [Detailed request for product](#)

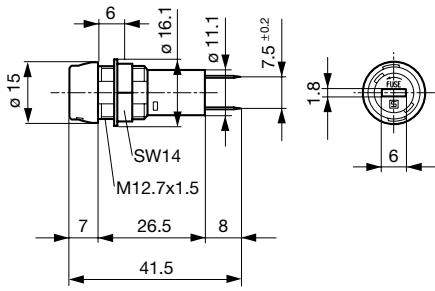
Technical Data

| | |
|------------------------------|---|
| Shock-Safe Category | PC2 |
| Fuse-Link | 5 x 20 mm |
| Mounting | Panel Mount, Front Side |
| Attachment | Fixing Nut |
| Terminal | Solder or Quick-Connect 4.8 x 0.5 mm |
| Rated Voltage | 250VAC (VDE), 400V (UL/CSA) |
| Rated current | 6.3/10A (VDE), 16A (UL/CSA) |
| Rated Power Acceptance IEC | 2.5W / 10A @ Ta 23°C Admissible power acceptance at higher ambient temperature see derating curves |
| Degree of Protection | IP 40 / IP 67 |
| Protection Class | Suitable for appliances with protection class I acc. to IEC 61140 |
| Admissible Ambient Air Temp. | -40°C to 85°C |
| Climatic Category | 40/085/21 acc. to IEC 60068-1 |
| Material: Socket | Thermoplastic, black, UL 94V-0 |
| Material: Terminals | Tin-Plated Copper Alloy |
| Unit Weight | 5.7 g |
| Storage Conditions | 0°C to 60°C, max. 70% r.h. |
| Product Marking |  Type, Rated Voltage, Rated current, Power Rating, Approvals |

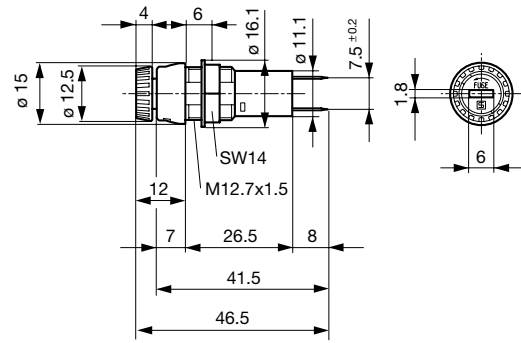
| | |
|---------------------------------|--|
| Soldering Methods | Iron Soldering Profile |
| Solderability | 350°C / 3 sec acc. to IEC 60068-2-20, Test Ta, method 2 |
| Resistance to Soldering Heat | 350°C / 10 sec acc. to IEC 60068-2-20, Test Tb, method 2 |
| Contact Resistance | ≤ 10 mΩ at 20 mV acc. to IEC 60127-6 |
| Dielectric Strength | > 3kV between Life parts (50Hz; 1 min) |
| Impulse Withstand Voltage | > 4kV between Life parts |
| Insulation Resistance | ≥ 10 MΩ between Life parts (500VDC; 1 min) |
| Overvoltage Category | III acc. to IEC 60664-1 |
| Pollution Degree | 3 acc. to IEC 60664-1 |
| Resistance to Vibration | acc. to IEC 60068-2-6, test Fc |
| Admissible Torque on Fixing Nut | max 1.2 Nm |
| Panel Thickness | max 6 mm |

Detailed information on product approvals, code requirements, usage instructions and detailed test conditions can be looked up in [General Product Information](#)

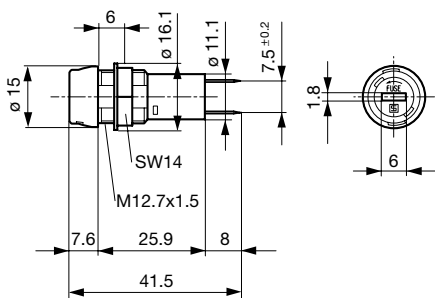
Dimension 



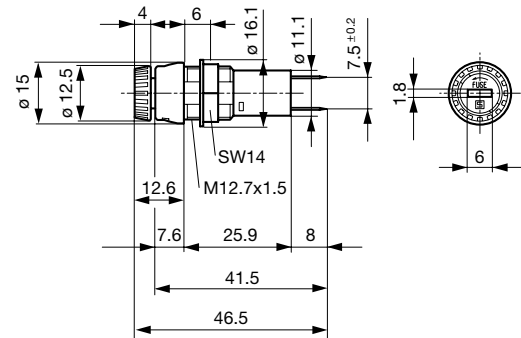
IP 40 / Variants 3101.0010 and 3101.0210



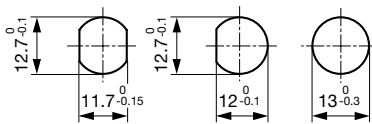
IP 40 / Variants Fingerrip 3101.0015 and 3101.0215



IP 67 / Variants 3101.0110 and 3101.0310

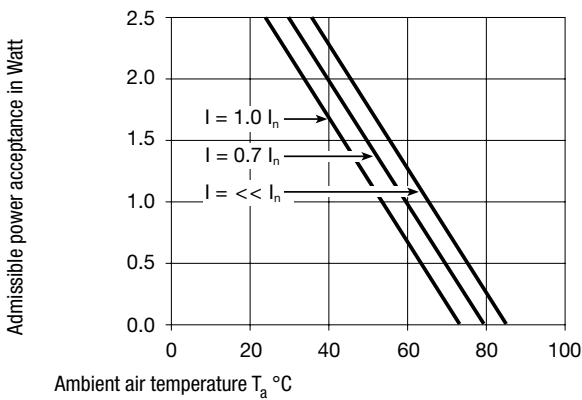


IP 67 / Variants Fingerrip 3101.0115 and 3101.0315



Mounting Holes

Derating Curves



All Variants

| Holder | Cap | Terminal | Degree of Protection | Material | Remark | Order Number |
|--------|------------|----------------------------|----------------------|---------------|--------|--------------|
| ● | slotted | Solder | IP 40 | Thermoplastic | - | 3101.0010 |
| ● | slotted | Quick-Connect 4.8 x 0.5 mm | IP 40 | Thermoplastic | - | 3101.0210 |
| ● | Fingergrip | Solder | IP 40 | Thermoplastic | - | 3101.0015 |
| ● | Fingergrip | Quick-Connect 4.8 x 0.5 mm | IP 40 | Thermoplastic | - | 3101.0215 |
| ● | slotted | Solder | IP 67 | Thermoplastic | - | 3101.0110 |
| ● | slotted | Quick-Connect 4.8 x 0.5 mm | IP 67 | Thermoplastic | - | 3101.0310 |
| ● | Fingergrip | Solder | IP 67 | Thermoplastic | - | 3101.0115 |
| ● | Fingergrip | Quick-Connect 4.8 x 0.5 mm | IP 67 | Thermoplastic | - | 3101.0315 |

Most Popular.

Availability for all products can be searched real-time:<http://www.schurter.com/en/Stock-Check/Stock-Check-SCHURTER>

Packaging Unit Bulk 186 x 91 x 91 mm (100 pcs.)