

PANEL MOUNT INDICATOR, NON-RELAMPABLE

LED TECHNOLOGY, SUNLIGHT VISIBILITY

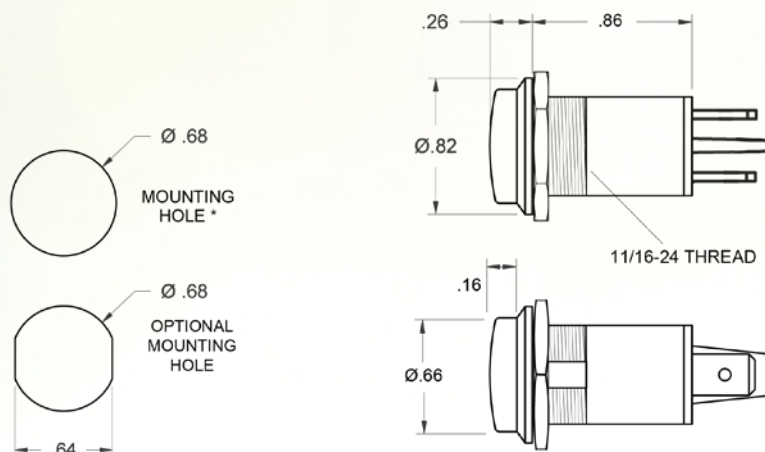
MOUNTING HOLE, Ø 0.690"

PART NO.	LENS COLOR	VOLTAGE (DC)	CURRENT [mA]	RATED LIFE HOURS
LED 6V SERIES				
WL-557-1502-303Q	RED	5V-7V	20mA	60,000
WL-557-1702-303Q	YELLOW	5V-7V	20mA	60,000
WL-557-1602-303Q	GREEN	5V-7V	20mA	60,000
WL-557-1802-303Q	BLUE	5V-7V	20mA	60,000
WL-557-1002-303Q	WHITE	5V-7V	20mA	60,000
LED 12V SERIES				
WL-557-1503-303Q	RED	12V-14V	20mA	60,000
WL-557-1703-303Q	YELLOW	12V-14V	20mA	60,000
WL-557-1603-303Q	GREEN	12V-14V	20mA	60,000
WL-557-1803-303Q	BLUE	12V-14V	20mA	60,000
WL-557-1003-303Q	WHITE	12V-14V	20mA	60,000
LED 24V SERIES				
WL-557-1505-303Q	RED	24V-28V	20mA	60,000
WL-557-1705-303Q	YELLOW	24V-28V	20mA	60,000
WL-557-1605-303Q	GREEN	24V-28V	20mA	60,000
WL-557-1805-303Q	BLUE	24V-28V	20mA	60,000
WL-557-1005-303Q	WHITE	24V-28V	20mA	60,000

NOTES

1. Recommended panel thickness
0.050" to 0.187"
2. .250 x .032 terminals are standard
3. Storage temperature
 T_{STG} : -25°C - +80°C
4. Ambient temperature
 T_A : -20°C - +60°C
5. Voltage tolerance
 V_{OP} : ±10%
6. DC operation only
7. Sunlight Visible, 3000 mcd minimum
8. Body material
Nylon, black
9. Lens material
Polycarbonate
10. Terminals
Quick-connect, tinned brass
11. Gasket
Buna-N
12. Mounting hardware (nut, lock washer, and gasket) included

DIMENSIONAL CHARACTERISTICS



unless otherwise specified, all dimensions are in inches

CERTIFICATIONS

UL (E340667), RoHS



- Splash proof
- Outdoor applications
- NEMA 3-R



OPTIONS

Additional options and lens styles available. Please contact Wamco for more information.



PANEL MOUNT INDICATOR, NON-RELAMPABLE

LED TECHNOLOGY, SUNLIGHT VISIBILITY

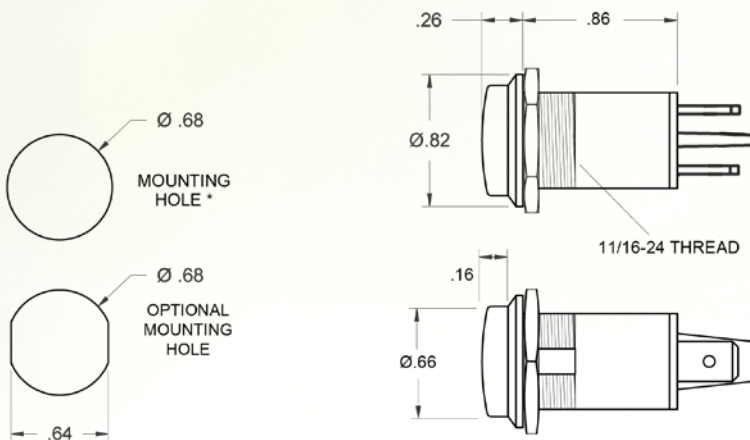
MOUNTING HOLE, Ø 0.690"

PART NO.	LENS COLOR	VOLTAGE (AC)	CURRENT [mA]	RATED LIFE HOURS
LED 125VAC SERIES				
WL-557-1507-303Q	RED	105-125VAC	20mA	60,000
WL-557-1707-303Q	YELLOW	105-125VAC	20mA	60,000
WL-557-1607-303Q	GREEN	105-125VAC	20mA	60,000
WL-557-1807-303Q	BLUE	105-125VAC	20mA	60,000
WL-557-1007-303Q	WHITE	105-125VAC	20mA	60,000

NOTES

1. Recommended panel thickness
0.050" to 0.187"
2. .250 x .032 terminals are standard
3. Storage temperature
 T_{STG} : -25°C - +80°C
4. Ambient temperature
 T_A : -20°C - +60°C
5. Voltage tolerance
 V_{OP} : ±10%
6. AC operation only
7. Sunlight Visible, 3000 mcd minimum
8. Body material
Nylon, black
9. Lens material
Polycarbonate
10. Terminals
Quick-connect, tinned brass
11. Gasket
Buna-N
12. Mounting hardware (nut, lock washer, and gasket) included

DIMENSIONAL CHARACTERISTICS



unless otherwise specified, all dimensions are in inches

CERTIFICATIONS

UL (E340667), RoHS



- ☑ Splash proof
- ☑ Outdoor applications
- ☑ NEMA 3-R



OPTIONS

Additional options and lens styles available. Please contact Wamco for more information.

