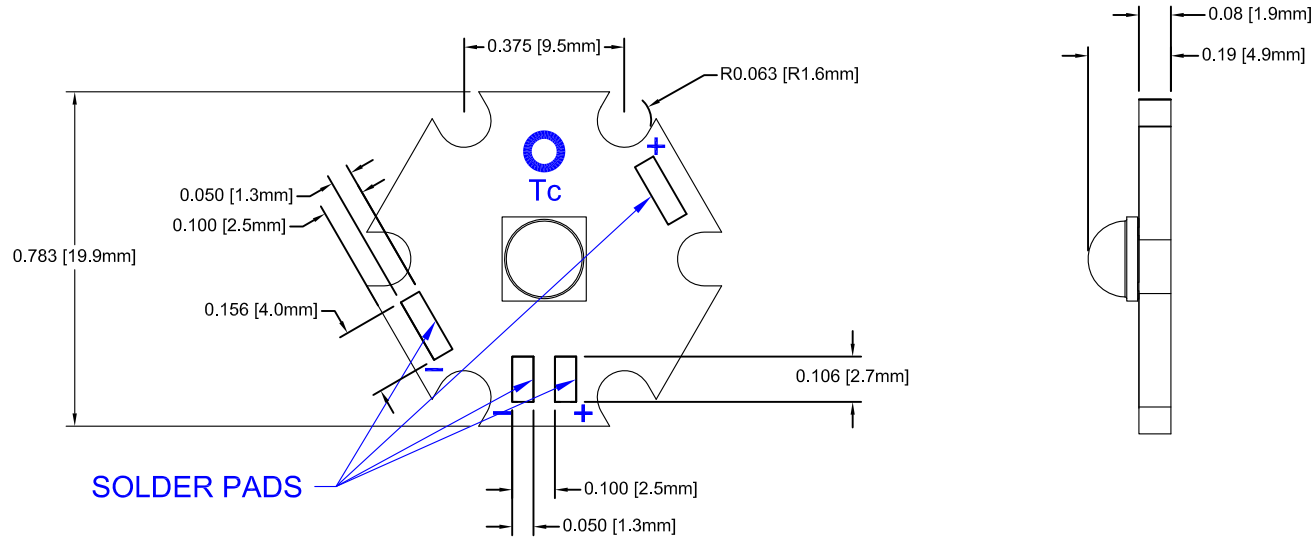



REV.	DESCRIPTION	DATE	APPROVED
F	Engineering Release.	10/03/12	T. Y.



SOLDER PADS

Table 1: Typical Characteristics without Additional Heat Sink						
Part Number	CCT (K)	CRI	Typical Luminous Flux @ If = 400mA, Tc=70C (lm)	Typical Luminous Flux @ If = 750mA, Tc=100C (lm)	Typical DC Forward Current, Vf (V)	Viewing Angle, Axis 1 / Axis2 (°)
L2-MLC1-S	6500	65	144	236	2.8 ~ 2.9	125
L2-MLN1-S	4100	75	124	202	2.8 ~ 2.9	125
L2-MLW1-S	3100	80	103	169	2.8 ~ 2.9	125

Table 2: Absolute Maximum Ratings with Thermal Management						
Part Number	CCT (K)	CRI	Typical Luminous Flux @ If = 1000mA, Tc=110C (lm)	Typical Luminous Flux @ If = 3000mA, Tc=60C (lm)	Typical DC Forward Current, Vf (V)	Viewing Angle, Axis 1 / Axis2 (°)
L2-MLC1-S	6500	65	281	660	3.0 ~ 3.3	125
L2-MLN1-S	4100	75	241	566	3.0 ~ 3.3	125
L2-MLW1-S	3100	80	201	472	3.0 ~ 3.3	125

STANDARD TOLERANCE (UNLESS OTHERWISE SPECIFIED)		 BIVAR [®] 4 THOMAS, IRVINE, CA. 92618 TEL: (949) 951-8808 FAX: (949) 951-3974
DECIMALS	ANGULAR	
.X ± .1	X° ± 1°	
.XX ± .02		TITLE: L2 Starboard Light Engine PART NO: L2-MLXX-S REVISION: F
.XXX ± .010		
DESIGNED: Brian Oliver	DATE: 11/02/11	CAGE CODE : 32559 SHEET # 1 OF 1 CAD GENERATED DOCUMENT, DO NOT MEASURE DRAWING.
CHECKED: M. Chen	DATE: 11/02/11	