



125 Class Standard LED Beacons for NEMA 4X Applications

The Edwards 125 Class Standard LED beacons are UL and cUL listed signaling appliances. Two versions of 125 Class Standard LED Beacons are available: Flashing 65 FPM (125LEDF) and Steady-On (125LEDS). Both versions feature a corrosion resistant Type 4X enclosure and can be panel or conduit mounted. The base is manufactured from a 33% glass filled nylon, providing high resistance to heat and high chemical resistivity. The lens is made of shatter resistant polycarbonate. Both the Flashing LED and Steady-On LED beacons are available with either a black or gray base, and amber, blue, green or red lens.

The 125 Class Standard LED beacons can be mounted on 1/2" or 3/4" NPT conduit using a 1/2" internal or 3/4" external conduit hub that comes with the unit. It can also be panel-mounted using the mounting gasket provided with the unit. When panel-mounting the 125 Class Standard LED, the surface and construction details of the panel must be taken into consideration to ensure the integrity of the outdoor, NEMA 4X rating is fully maintained.

125 Class Standard LED Features

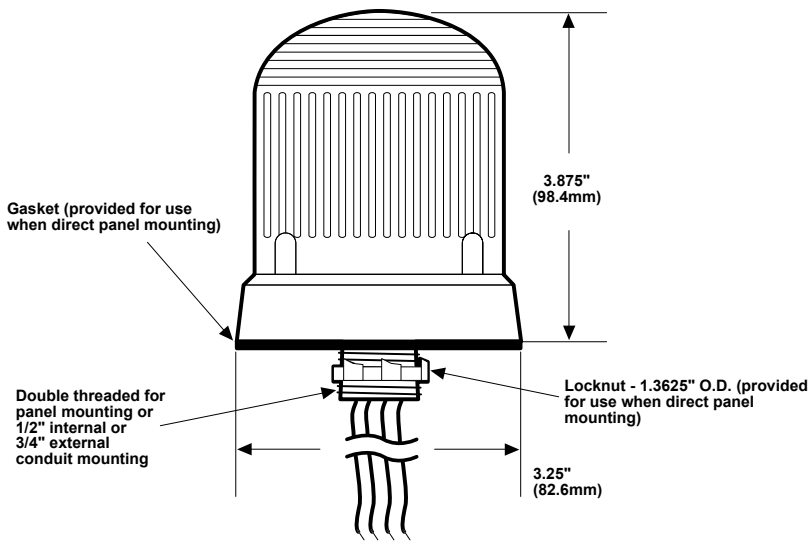
- Available in 24V DC or 120V AC
- Available with gray or black base
- Option for panel or conduit mounting
- Available in Flashing LED or Steady-On LED versions
- Available with amber, blue, green or red lens
- Immune to shock and vibration
- -31°F to 150°F (-35°C to 66°C) operating temperature
- Protective wire guard available, Cat. No. 125GRD

125 Class Standard LED Beacons

Description	Operation	Cat. No.	Base Color	LED Colors	Lamp Ratings	Operating Voltage	Current	Replacement Lens
Standard LED Beacons in NEMA 4X Enclosure	Flashing LED	125LEDF*24D	Gray	Amber, Blue, Green, Red	100,000 hours	24V DC	0.060 A	125L*
		125LEDF*120A	Gray	Amber, Blue, Green, Red	100,000 hours	120V AC 50/60 Hz	0.097 A	125L*
		125LEDF*24DB	Black	Amber, Blue, Green, Red	100,000 hours	24V DC	0.060 A	125L*
		125LEDF*120AB	Black	Amber, Blue, Green, Red	100,000 hours	120V AC 50/60 Hz	0.097 A	125L*
	Steady-On LED	125LEDS*24D	Gray	Amber, Blue, Green, Red	100,000 hours	24V DC	0.060 A	125L*
		125LEDS*120A	Gray	Amber, Blue, Green, Red	100,000 hours	120V AC 50/60 Hz	0.097 A	125L*
		125LEDS*24DB	Black	Amber, Blue, Green, Red	100,000 hours	24V DC	0.060 A	125L*
		125LEDS*120AB	Black	Amber, Blue, Green, Red	100,000 hours	120V AC 50/60 Hz	0.097 A	125L*

*Letter in this position indicates lens/LED color: A - Amber, B - Blue, G - Green, R - Red

Dimensional Drawings



Agency Approvals

