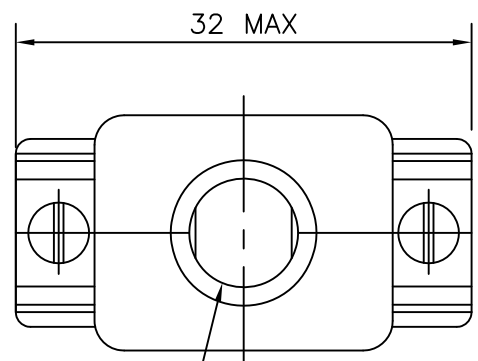
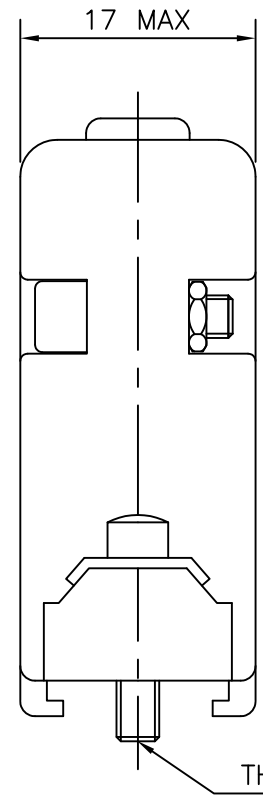
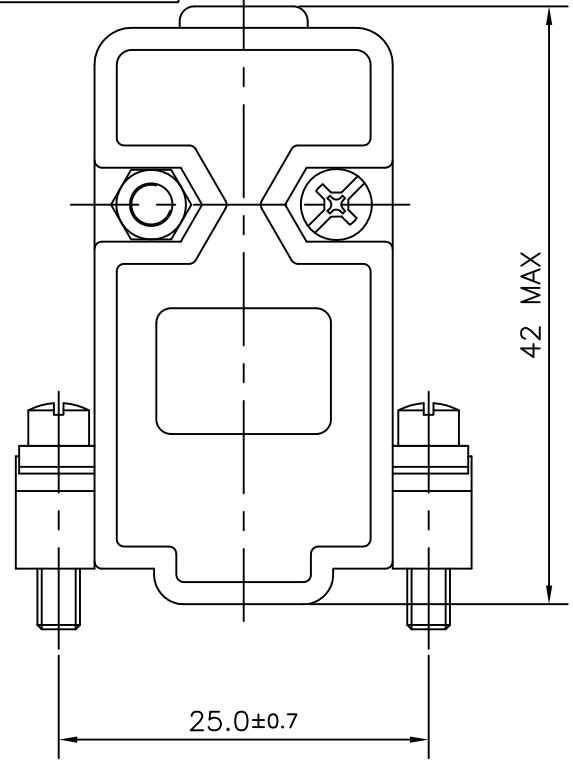


4	8630-CH09UNCLF	UNC 440
3	8630-CH09M3LF	M3
2	8630-CH09UNC	UNC 440
1	8630-CH09M3	M3
SL.NO.	PART NO:	THREAD



CABLE ENTRY $\phi 7.5$ MAX



THREAD

"This LF product meets European Union Directives and other country regulations as described in GS-47-0004"
Packaging as per GS-14-920

MATERIAL:-

1. NYLON 6 30% GF UL 94V-0 (OPTIONAL)
2. ABS UNFILLED UL 94 HB (STANDARD)
3. TEMP RANGE -55°C +85°C

mat'l. code				surface ISO 1302 ✓		tolerance ISO 406 ISO 1101		projection 		product family D-SUB			
ltr	ecn no	dr	date	tolerances unless otherwise specified						title			
D	106-0074	MINI	2006/06/08	angles		linear		MM		CONNECTOR HOOD 9 POS			
E	110-0122	AMR	2010/05/29	0°±1°		.00±0.1		← →					
F	110-0231	AMR	2010/11/27					scale -					
G	ELX-I-15622	MP	2013/08/24	dr	MINI K VANDANATH	1995/24/03			dwg no		sheet 1 of 1		size
				enr	MITHUN PAUL	2013/08/24			C-DSUB-0022				A4
				chr	MITHUN PAUL	2013/08/24			type Product Customer		Drawing		
				app	BIJU K PAUL	2013/08/24							
sheet index		revision sheet		G									



FCIconnect.com

Copyright FCI