
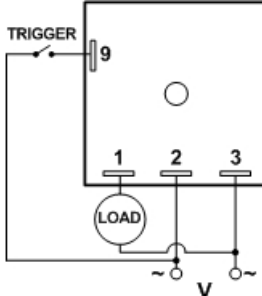
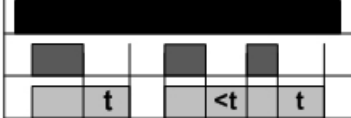

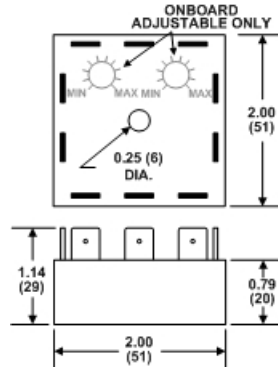




**Product Specifications**  
**THS-1164A-31T**

	Catalog Number	Function*	Input Voltage	Output	Wiring Diagram
 <p>May not be exact product for reference only</p>	THS-1164A-31T	OFF DELAY, 1 - 100 sec	24-240V AC	1A Normally Open	

*DESCRIPTION OF FUNCTION	FUNCTION CHART
<p>Upon application of input voltage, the time delay relay is ready to accept a trigger. When the trigger is applied, the output is energized. Upon removal of the trigger, the time delay (t) begins. At the end of the time delay (t), the output is de-energized. Any application of the trigger during the time delay will reset the time delay (t) and the output remains energized.</p>	

APPLICATION INFORMATION	DIMENSIONS
<p><b>Voltage Tolerance:</b> AC Operation: +10/-15% of nominal at 50/60 Hz</p> <p><b>Load (Burden):</b> Maximum of 1 VA for all voltages</p> <p><b>Setting Accuracy:</b> Maximum Setting (Adjustable): +5%, -0%; Minimum Setting (Adjustable): +0%, -50%; Fixed Time Delay: ±2% or 50ms, whichever is greater</p> <p><b>Repeat Accuracy (Constant Voltage &amp; Temperature):</b> ±0.1% or ± 0.04 seconds, whichever is greater</p> <p><b>Reset Time:</b> 40ms</p> <p><b>Output Contacts:</b> Solid State 1A Continuous, 10A Inrush @ 65° C</p> <p><b>Life:</b> No predictable failure if used within operating parameters.</p> <p><b>Leakage Current (OFF-State):</b> &lt;5 mA @ 240VAC</p> <p><b>Minimum Load Current:</b> 20mA</p> <p><b>Effective Voltage Drop (ON-State):</b> Maximum 3V @ 1A for all voltages</p> <p><b>Temperature: (Storage)</b> -40° to 85° C (-40° to 185° F); <b>(Operating)</b> -28° to 65°C (-18° to 149°F)</p> <p><b>Approvals:</b></p> 	 <p>Inches (Millimeters)</p>

**Macromatic Industrial Controls Inc.**  
 W134N5345 Campbell Drive, Menomonee Falls, WI 53051 (USA)  
 Telephone: 800-238-7474 (262-781-3366) © 1997-2015 Macromatic Industrial Controls Inc.