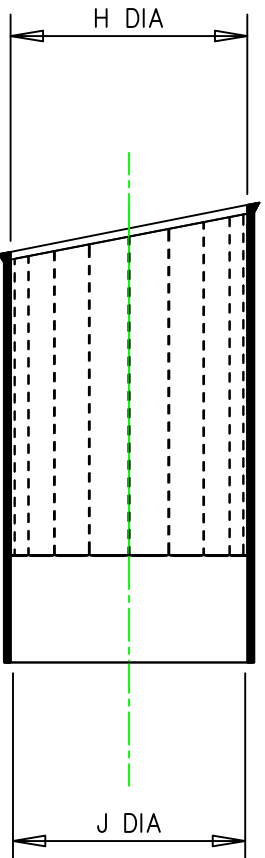
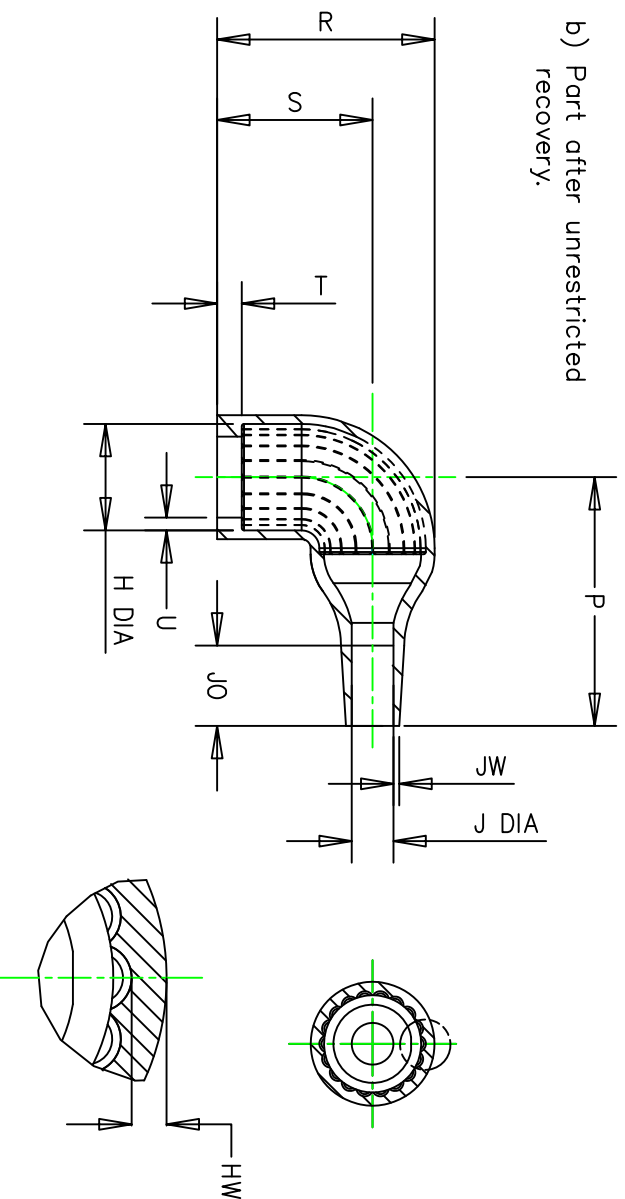


a) Part as supplied.

222K1** - 25L-0



b) Part after unrestricted recovery.



DETAIL VIEW

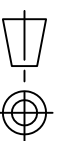
 DIMENSIONS
In millimetres
 {in inches, for reference}

Part No.	H		J		P		R		S		T		U		JO		HW		JW		
	Min	Max	Min	Max	Min	Max	Min	Max	Min	Max	Min	Max	Min	Max	Min	Max	Min	Max	Min	Max	
222K121	24 {0.94}	10.4 {0.41}	24 {0.94}	5.6 {0.22}	25 {0.98}	25 {0.98}	19 {0.75}	3.0 {0.12}	1.0 {0.04}	8.5 {0.33}	1.3 {0.05}	0.5 {0.02}									
222K132	30 {1.18}	14.2 {0.56}	30 {1.18}	5.9 {0.23}	32 {1.26}	27 {1.06}	20 {0.79}	3.0 {0.12}	1.0 {0.04}	8.5 {0.33}	1.3 {0.05}	0.8 {0.03}									
222K142	31 {1.22}	18.0 {0.71}	31 {1.22}	7.1 {0.28}	39 {1.54}	31 {1.22}	21 {0.83}	3.0 {0.12}	1.0 {0.04}	15.0 {0.59}	1.2 {0.04}	1.0 {0.04}									
222K152	36 {1.42}	22.4 {0.88}	36 {1.42}	8.4 {0.33}	46 {1.81}	38 {1.50}	26 {1.02}	3.0 {0.12}	1.0 {0.04}	16.0 {0.63}	1.5 {0.06}	1.0 {0.04}									
222K163	43 {1.69}	28.2 {1.11}	43 {1.69}	9.9 {0.39}	55 {2.17}	45 {1.77}	30 {1.18}	3.0 {0.12}	1.7 {0.07}	17.5 {0.69}	2.0 {0.08}	1.0 {0.04}									
222K174	60 {2.36}	35.1 {1.38}	60 {2.36}	15.7 {0.62}	80 {3.15}	54 {2.13}	35 {1.38}	3.0 {0.12}	1.7 {0.07}	32.0 {1.26}	2.3 {0.09}	1.5 {0.06}									
222K185	66 {2.60}	44.5 {1.75}	66 {2.60}	16.8 {0.66}	108 {4.25}	68 {2.68}	42 {1.65}	3.0 {0.12}	2.0 {0.08}	48.0 {1.89}	1.8 {0.07}	2.0 {0.08}									

Drawn N. NAGAR Checked N.SMAWTKO Issue 1 Date Oct 2014

 Conforms to ISO Recommendations
 3rd Angle Projection
 Not to Scale

Approval Design S. KURUP MKTG. A. POOLE Q.A. H. JOHNS



Iss. Date

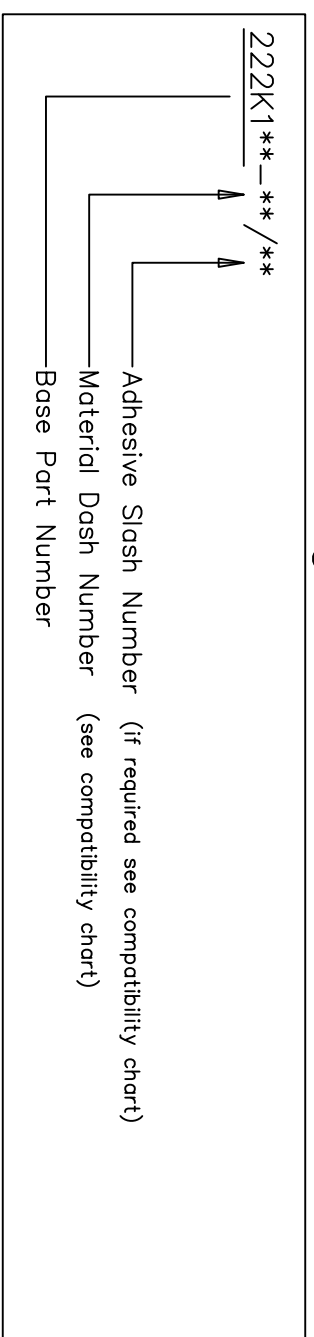
1 Oct 2014

E.C.R. No.

Details of Change

Preliminary Release

Ordering Information



COMPATIBILITY CHART

Material Dash Number	Material Description	SPEC Number	Adhesive Coating Slash Number
-25L	LIGHT WEIGHT POLYMER, FLUID RESISTANT	RW-3040	/225

NOTES

- As supplied dimensions are for uncoated parts, when adhesive coating is added entry diameters will reduce by 1.5mm max.
- Parts will have a bump or depression on the inner surface at the material injection point.

Copyright(i)

The copyright in this drawing is the property of TE Connectivity. The drawing is issued on the condition that it is not copied, reproduced or disclosed to a third party, either in whole or in part without the prior written consent of TE Connectivity.

Tyco Electronics UK Ltd.

 Faraday Road,
 Swindon, Wiltshire, SN3 5HH

 England
 Telephone: (01793) 528171 Fax: 572516

Cage Code K1010

Tyco Electronics Corporation

 300, Constitution Drive,
 Menlo Park, CA 94025

 USA
 Telephone (650) 361-3860 Fax: (650) 361-5579

Cage Code 06090