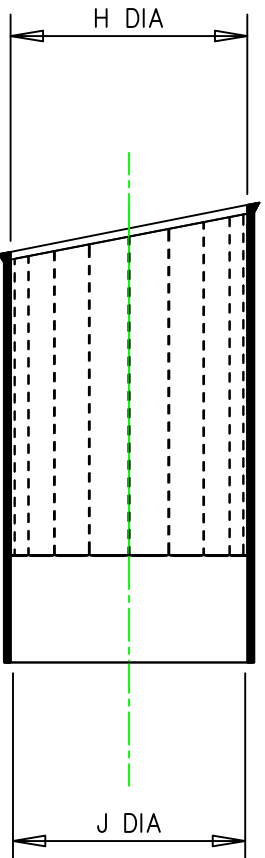
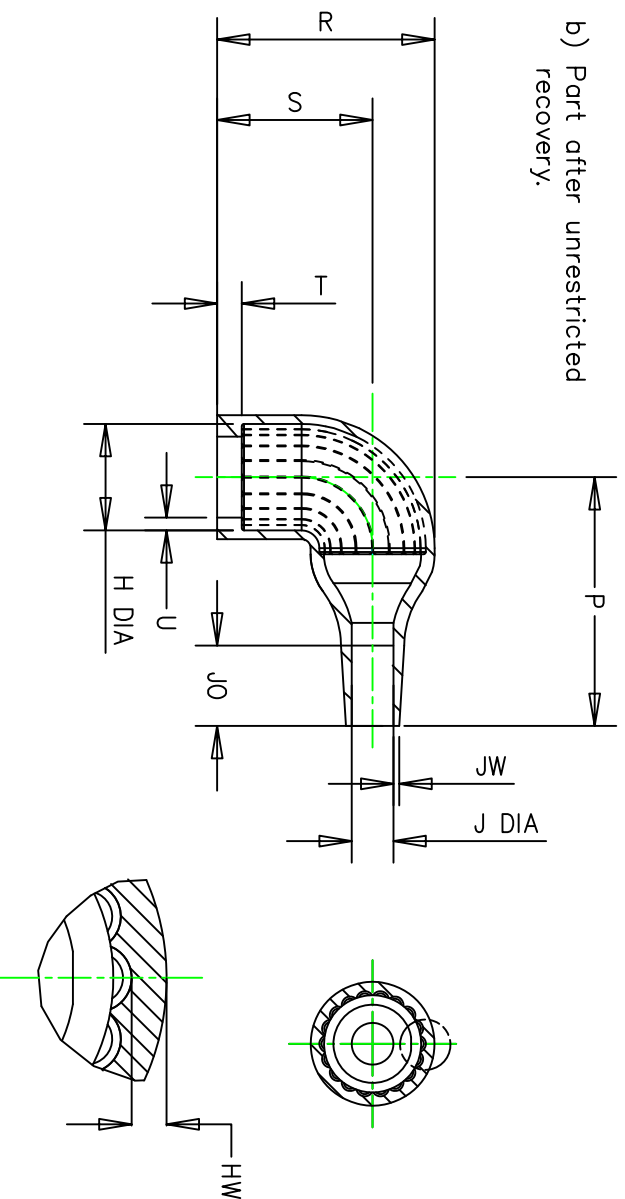


a) Part as supplied.

222K1\*\* - 25L-0



b) Part after unrestricted recovery.



DETAIL VIEW

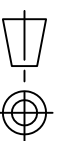
 DIMENSIONS  
In millimetres  
 {in inches, for reference}

Part No.	H		J		P		R		S		T		U		JO		HW		JW		
	Min	Max	Min	Max	Min	Max	±10%	±10%	±10%	±10%	±10%	±10%	±10%	±10%	±10%	±10%	±20%	±20%	±10%	±10%	
222K121	24 {0.94}	10.4 {0.41}	24 {0.94}	5.6 {0.22}	25 {0.98}	25 {0.98}	19 {0.75}	3.0 {0.12}	1.0 {0.04}	8.5 {0.33}	1.3 {0.05}	0.5 {0.02}									
222K132	30 {1.18}	14.2 {0.56}	30 {1.18}	5.9 {0.23}	32 {1.26}	27 {1.06}	20 {0.79}	3.0 {0.12}	1.0 {0.04}	8.5 {0.33}	1.3 {0.05}	0.8 {0.03}									
222K142	31 {1.22}	18.0 {0.71}	31 {1.22}	7.1 {0.28}	39 {1.54}	31 {1.22}	21 {0.83}	3.0 {0.12}	1.0 {0.04}	15.0 {0.59}	1.2 {0.04}	1.0 {0.04}									
222K152	36 {1.42}	22.4 {0.88}	36 {1.42}	8.4 {0.33}	46 {1.81}	38 {1.50}	26 {1.02}	3.0 {0.12}	1.0 {0.04}	16.0 {0.63}	1.5 {0.06}	1.0 {0.04}									
222K163	43 {1.69}	28.2 {1.11}	43 {1.69}	9.9 {0.39}	55 {2.17}	45 {1.77}	30 {1.18}	3.0 {0.12}	1.7 {0.07}	17.5 {0.69}	2.0 {0.08}	1.0 {0.04}									
222K174	60 {2.36}	35.1 {1.38}	60 {2.36}	15.7 {0.62}	80 {3.15}	54 {2.13}	35 {1.38}	3.0 {0.12}	1.7 {0.07}	32.0 {1.26}	2.3 {0.09}	1.5 {0.06}									
222K185	66 {2.60}	44.5 {1.75}	66 {2.60}	16.8 {0.66}	108 {4.25}	68 {2.68}	42 {1.65}	3.0 {0.12}	2.0 {0.08}	48.0 {1.89}	1.8 {0.07}	2.0 {0.08}									

Drawn N. NAGAR Checked N.SMAWTKO Issue 1 Date Oct 2014

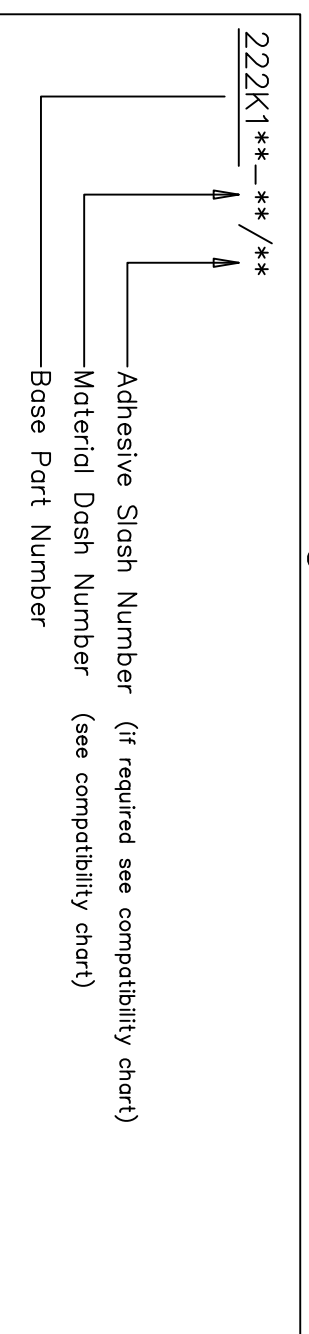
 Conforms to ISO Recommendations  
 3rd Angle Projection  
 Not to Scale

Approval Design S. KURUP MKTG. A. POOLE Q.A. H. JOHNS



Iss.	Date	E.C.R. No.	Details of Change
1	Oct 2014	****	Preliminary Release

Ordering Information	



### COMPATIBILITY CHART

Material Dash Number	Material Description	SPEC Number	Adhesive Coating Slash Number
-25L	LIGHT WEIGHT POLYMER, FLUID RESISTANT	RW-3040	/225

### NOTES

- As supplied dimensions are for uncoated parts, when adhesive coating is added entry diameters will reduce by 1.5mm max.
- Parts will have a bump or depression on the inner surface at the material injection point.

### Copyright(i)

The copyright in this drawing is the property of TE Connectivity. The drawing is issued on the condition that it is not copied, reproduced or disclosed to a third party, either in whole or in part without the prior written consent of TE Connectivity.

Tyco Electronics UK Ltd. Faraday Road, Swindon, Wiltshire, SN3 5HH England Telephone: (01793) 528171 Fax: 572516	Tyco Electronics Corporation 300, Constitution Drive, Menlo Park, CA 94025 USA Telephone (650) 361-3860 Fax: (650) 361-5579
Cage Code K1010	Cage Code 06090