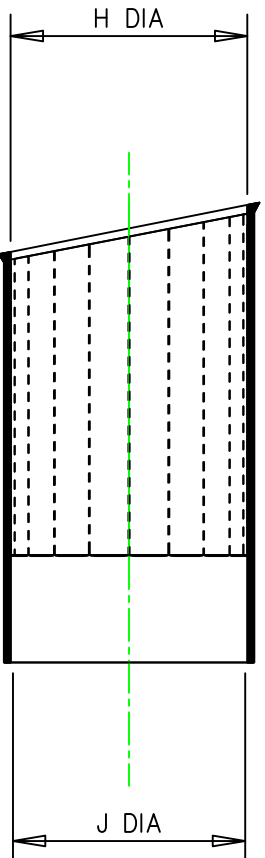
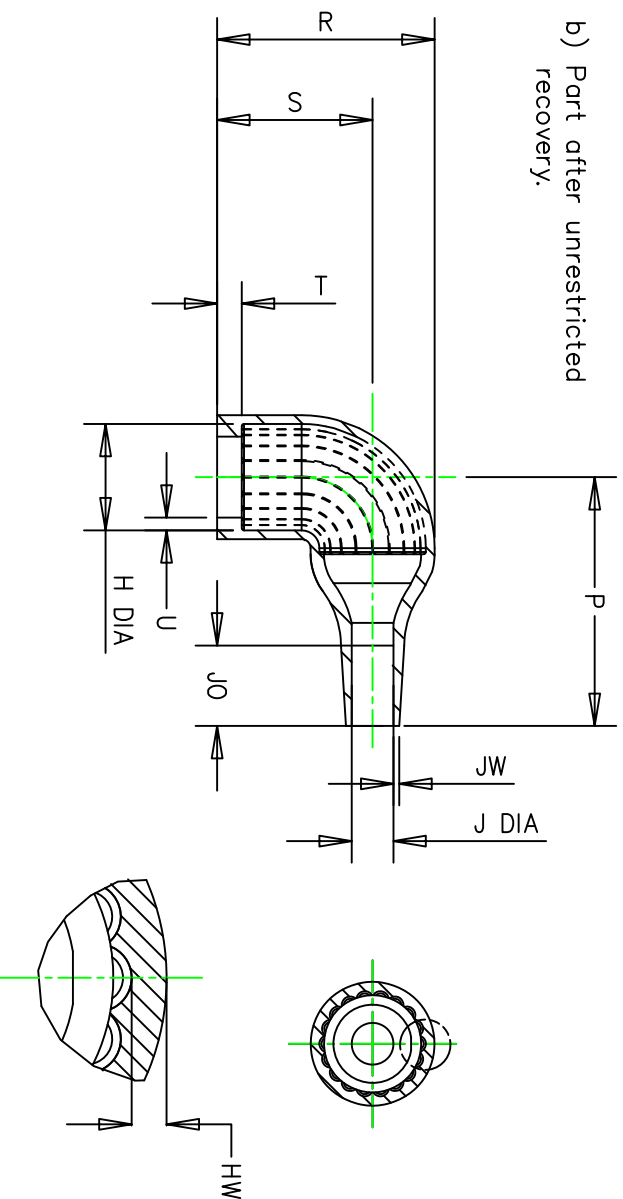


a) Part as supplied.

222K1** - 25L - 0



b) Part after unrestricted recovery.



DETAIL VIEW

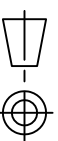
 DIMENSIONS
In millimetres
 {in inches, for reference}

Part No.	H Min	Max	J Min	Max	P ±10%	R ±10%	S ±10%	T ±10%	U ±10%	JO ±10%	HW ±20%	JW ±20%
222K121	24 {0.94}	10.4 {0.41}	24 {0.94}	5.6 {0.22}	25 {0.98}	25 {0.98}	19 {0.75}	3.0 {0.12}	1.0 {0.04}	8.5 {0.33}	1.3 {0.05}	0.5 {0.02}
222K132	30 {1.18}	14.2 {0.56}	30 {1.18}	5.9 {0.23}	32 {1.26}	27 {1.06}	20 {0.79}	3.0 {0.12}	1.0 {0.04}	8.5 {0.33}	1.3 {0.05}	0.8 {0.03}
222K142	31 {1.22}	18.0 {0.71}	31 {1.22}	7.1 {0.28}	39 {1.54}	31 {1.22}	21 {0.83}	3.0 {0.12}	1.0 {0.04}	15.0 {0.59}	1.2 {0.04}	1.0 {0.04}
222K152	36 {1.42}	22.4 {0.88}	36 {1.42}	8.4 {0.33}	46 {1.81}	38 {1.50}	26 {1.02}	3.0 {0.12}	1.0 {0.04}	16.0 {0.63}	1.5 {0.06}	1.0 {0.04}
222K163	43 {1.69}	28.2 {1.11}	43 {1.69}	9.9 {0.39}	55 {2.17}	45 {1.77}	30 {1.18}	3.0 {0.12}	1.7 {0.07}	17.5 {0.69}	2.0 {0.08}	1.0 {0.04}
222K174	60 {2.36}	35.1 {1.38}	60 {2.36}	15.7 {0.62}	80 {3.15}	54 {2.13}	35 {1.38}	3.0 {0.12}	1.7 {0.07}	32.0 {1.26}	2.3 {0.09}	1.5 {0.06}
222K185	66 {2.60}	44.5 {1.75}	66 {2.60}	16.8 {0.66}	108 {4.25}	68 {2.68}	42 {1.65}	3.0 {0.12}	2.0 {0.08}	48.0 {1.89}	1.8 {0.07}	2.0 {0.08}

Drawn N. NAGAR Checked N.SMAWTKO Issue 1 Date Oct 2014

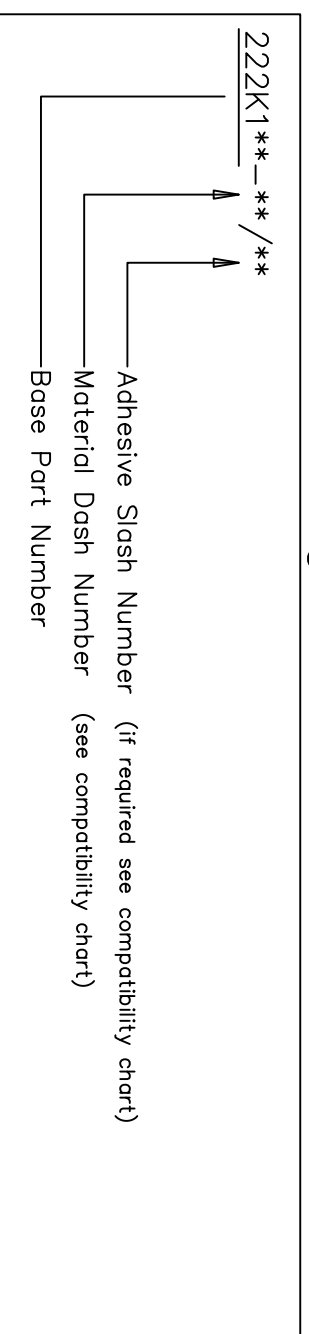
 Conforms to ISO Recommendations
 3rd Angle Projection

Approval Design S. KURUP MKTG. A. POOLE Q.A. H. JOHNS



Iss.	Date	E.C.R. No.	Details of Change
1	Oct 2014	****	Preliminary Release

Ordering Information	



COMPATIBILITY CHART

Material Dash Number	Material Description	SPEC Number	Adhesive Coating Slash Number
-25L	LIGHT WEIGHT POLYMER, FLUID RESISTANT	RW-3040	/225

NOTES

- As supplied dimensions are for uncoated parts, when adhesive coating is added entry diameters will reduce by 1.5mm max.
- Parts will have a bump or depression on the inner surface at the material injection point.

Copyright(i)

The copyright in this drawing is the property of TE Connectivity. The drawing is issued on the condition that it is not copied, reproduced or disclosed to a third party, either in whole or in part without the prior written consent of TE Connectivity.

Tyco Electronics UK Ltd. Faraday Road, Swindon, Wiltshire, SN3 5HH England Telephone: (01793) 528171 Fax: 572516	Tyco Electronics Corporation 300, Constitution Drive, Menlo Park, CA 94025 USA Telephone (650) 361-3860 Fax: (650) 361-5579
Cage Code K1010	Cage Code 06090