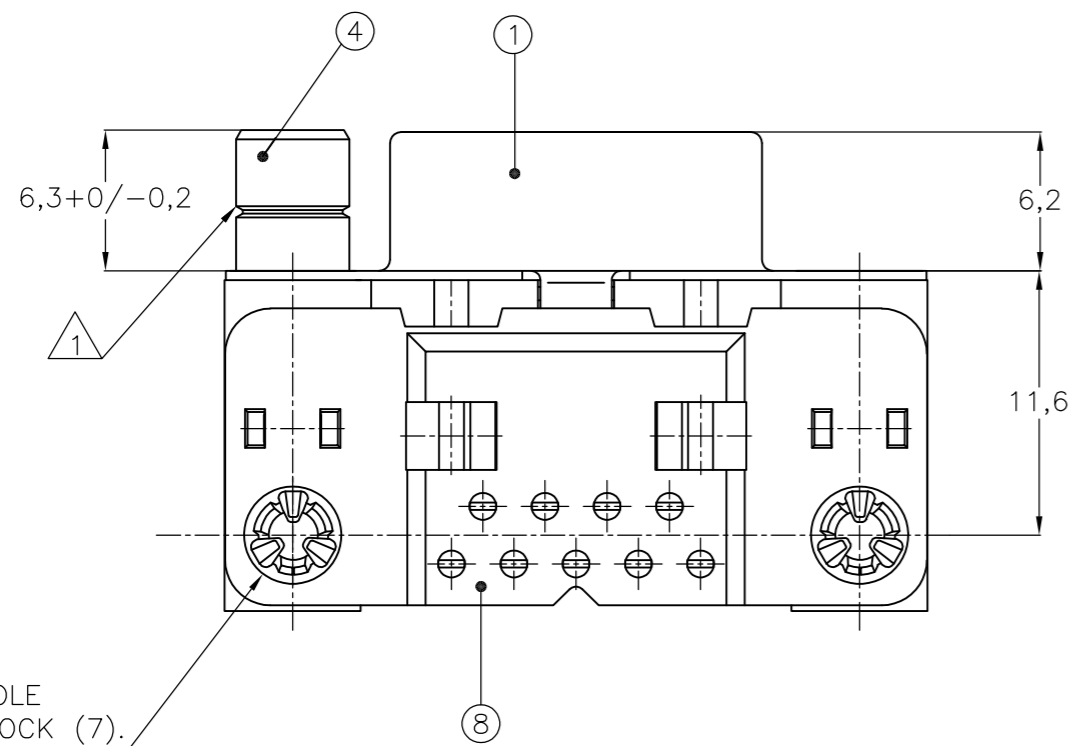
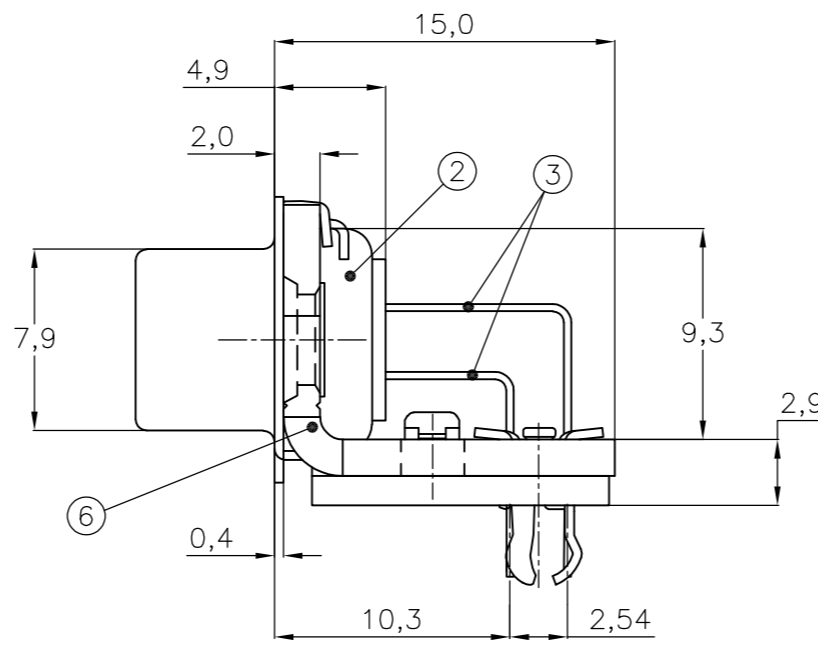
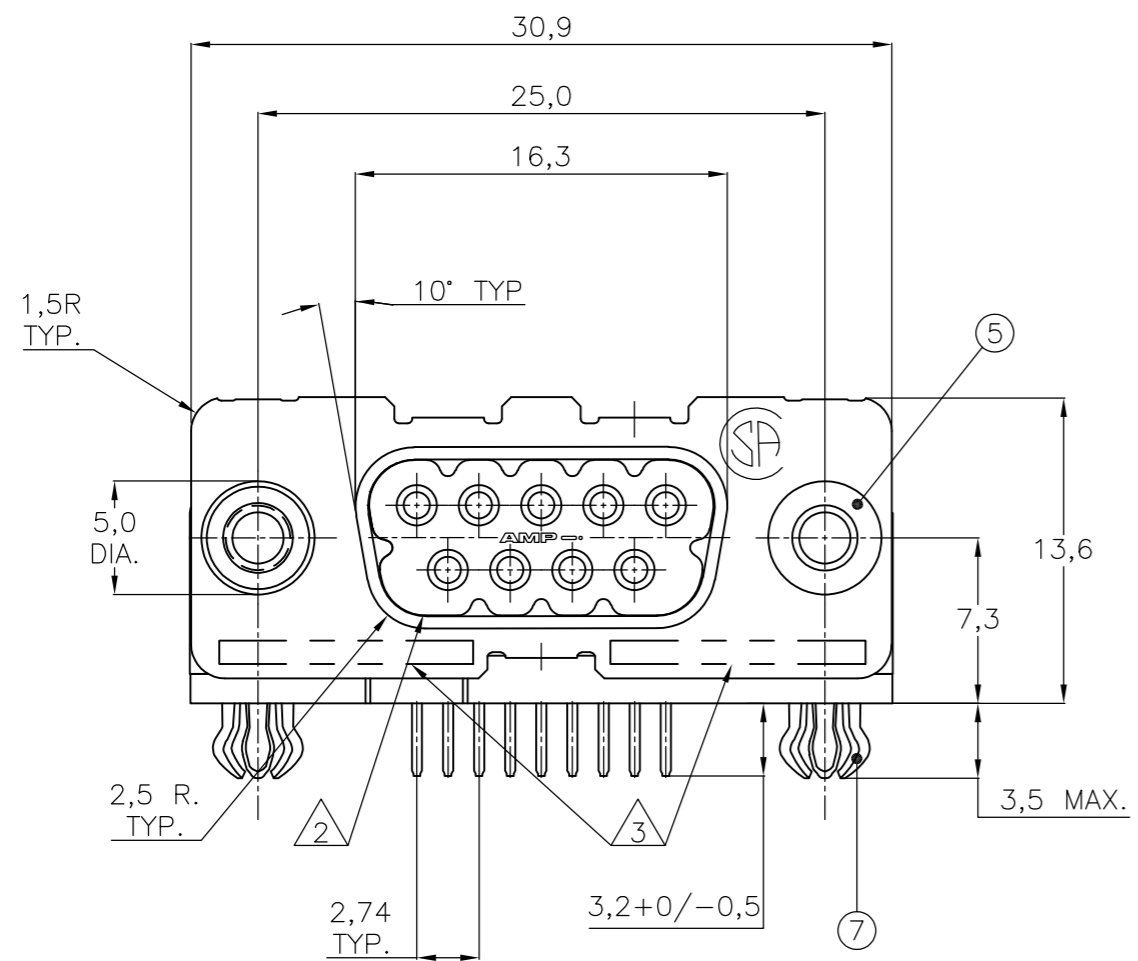
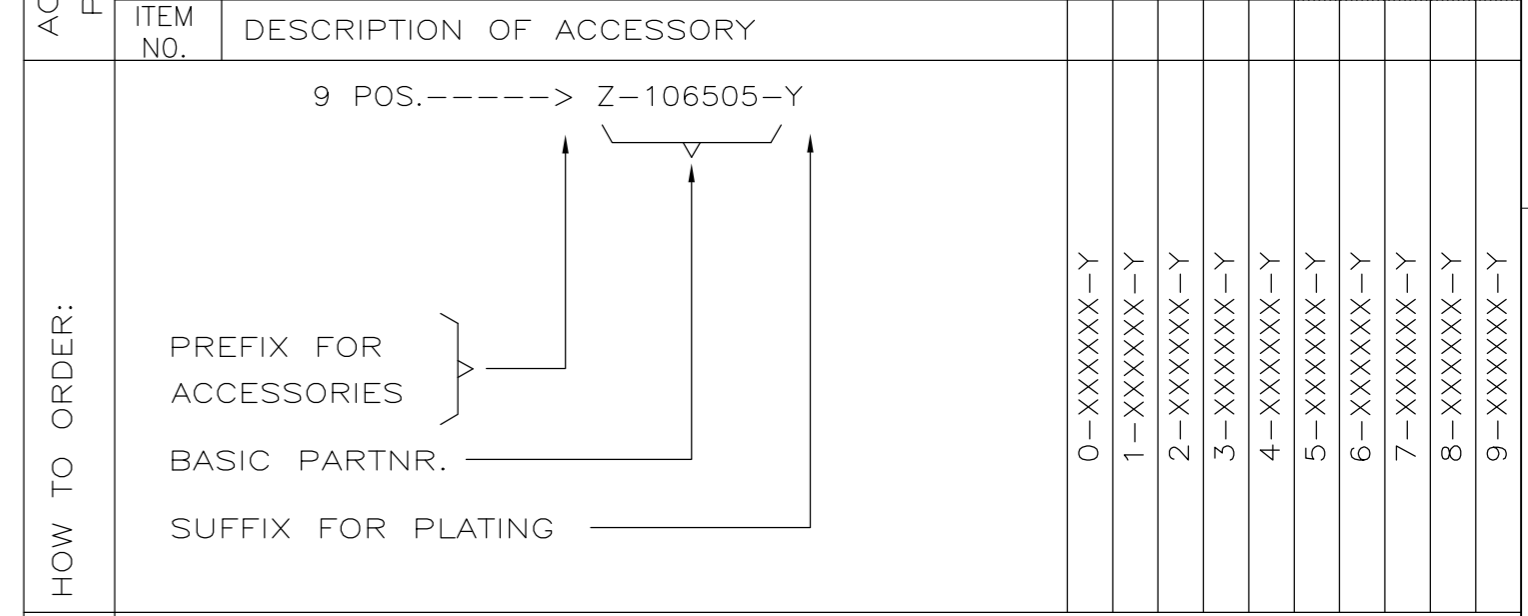


THIS DRAWING IS UNPUBLISHED. RELEASED FOR PUBLICATION
 © COPYRIGHT - By - ALL RIGHTS RESERVED.

LOC		DIST		REVISIONS			
P	LTR	DESCRIPTION		DATE	DWN	APVD	
-	-	J1	REVISED PER ECO-11-005294	05APR11	RK	HMR	



ACCESSORIES PREFIX "Z"	DESCRIPTION	2	2	2	2	2	2	2	2
5	BUSHING WITH THROUGH HOLE 3,1 DIA.								
5	BUSHING WITH INNER THREAD 4-40 UNC								
5	BUSHING WITH INNER THREAD M3								
4	FEMALE SCREWLOCK WITH 4-40 UNC								
4	FEMALE SCREWLOCK WITH M3								
7	BOARDLOCK								



PLATING SUFFIX "Y"

GOLD OVER NICKEL AS PER PERFORMANCE LEVEL 2 (DIN 41652)
 SOLDERPART :2,5 μm TIN OVER NICKEL

-Y = -2

NOTES :

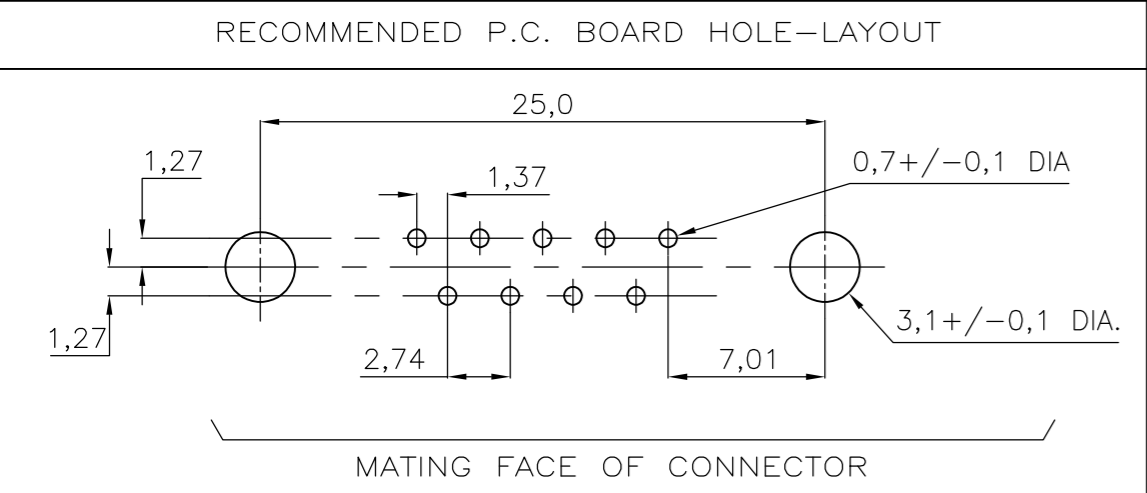
1 GROOVE INDICATES VERSION WITH 4-40 UNC INNER THREAD; WITHOUT GROOVE INDICATES VERSION WITH M3 INNER THREAD.

2 CAVITY IDENTIFICATION AT FRONT SIDE ONLY.

3 PARTNUMBER AND DATE CODE.

4. AIR AND CREEPAGE DISTANCES ACCORDING TO DIN 41652.

- ITEM NRS./MATERIAL :
- 1 SHELL : BRIGHT TINPLATED STEEL
 - 2 HOUSING : GLASSFILLED POLYESTER, COLOR : BLACK
 - 3 CONTACTS : PHOSPHORBRONZE (PLATING : SEE TABLE ABOVE)
 - 4 FEMALE SCREWLOCK : TINPLATED STEEL (INNER THREAD 4-40 UNC OR M3)
 - 5 BUSHING : TINPLATED STEEL (INNER THREAD 4-40 UNC OR M3 OR 3,1 DIA THRU-HOLE)
 - 6 BRACKET : TINPLATED STEEL
 - 7 BOARDLOCK : TINPLATED PHOSPHORBRONZE
 - 8 POST ALIGNMENTPLATE : GLASSFILLED NYLON COLOR : BLACK



THIS DRAWING IS A CONTROLLED DOCUMENT.		DWN D. KESSLER 14JAN99		
DIMENSIONS: mm		CHK W. SOOMERS		
TOLERANCES UNLESS OTHERWISE SPECIFIED:		APVD -	NAME	
0 PLC ± -	1 PLC ± -	PRODUCT SPEC -	HD-20 SIZE 1	
2 PLC ± -	3 PLC ± -	APPLICATION SPEC -	RIGHT ANGLE RECEPTACLE HEADER;	
4 PLC ± -	ANGLES ± -	WEIGHT -	MARK II+	
MATERIAL -	FINISH -	CUSTOMER DRAWING	SIZE A2	CAGE CODE 00779
			DRAWING NO. C=106505	RESTRICTED TO -
			SCALE NTS	SHEET 1 OF 1
			REV J1	